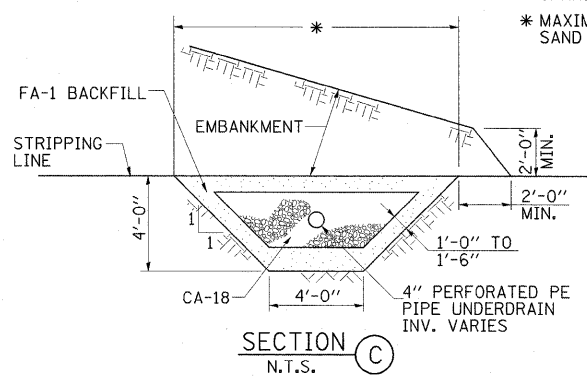
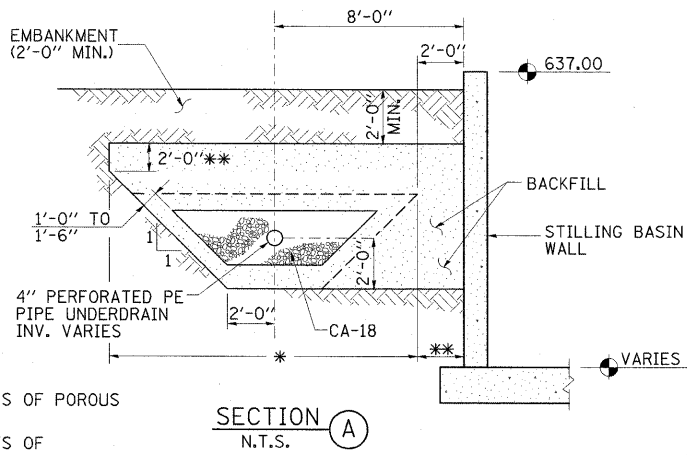
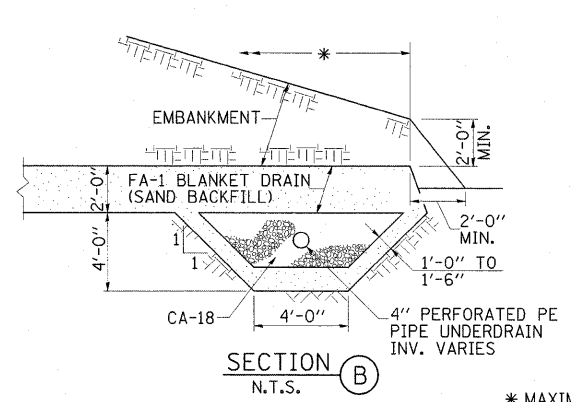
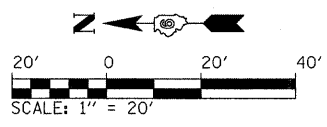


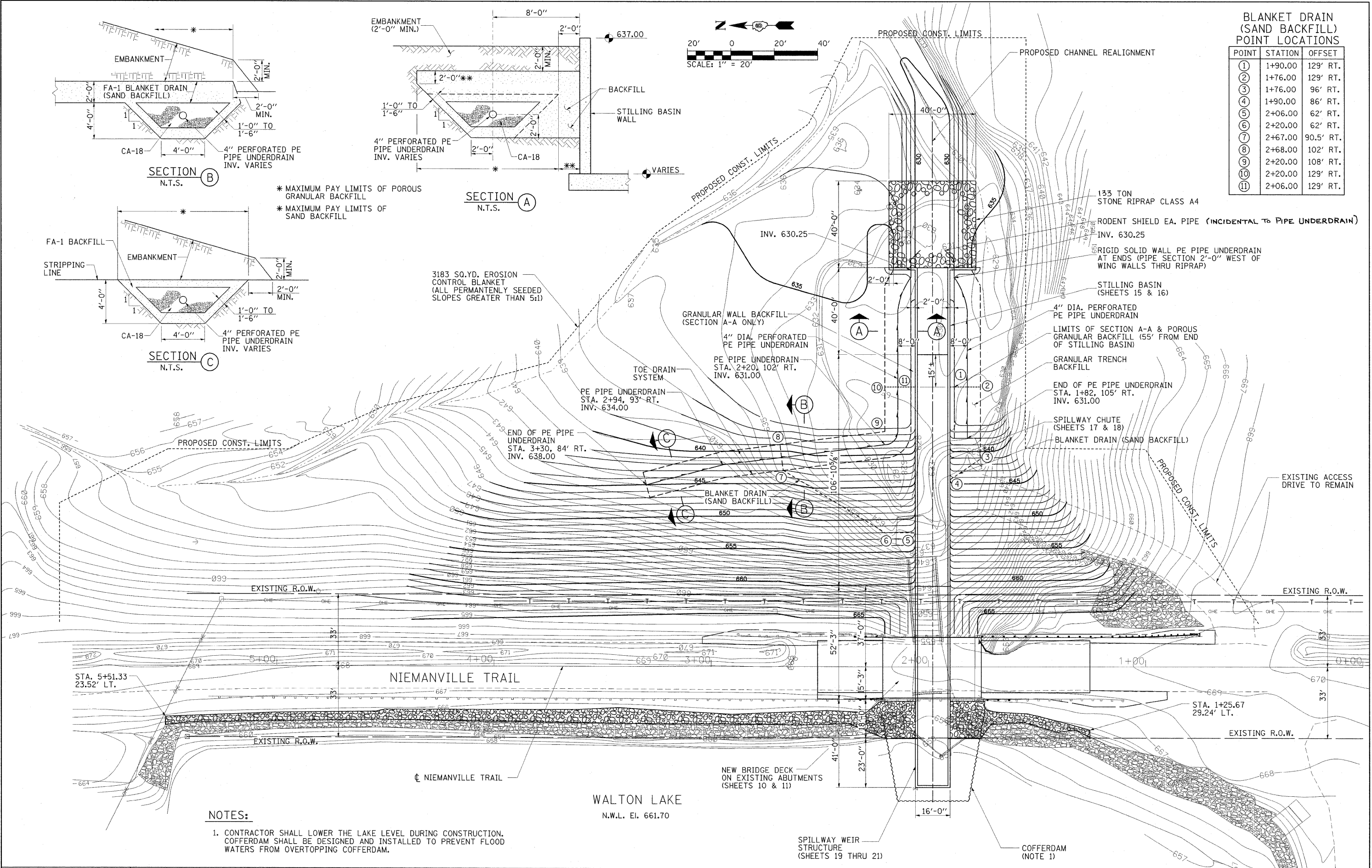
**BLANKET DRAIN (SAND BACKFILL) POINT LOCATIONS**

POINT	STATION	OFFSET
①	1+90.00	129' RT.
②	1+76.00	129' RT.
③	1+76.00	96' RT.
④	1+90.00	86' RT.
⑤	2+06.00	62' RT.
⑥	2+20.00	62' RT.
⑦	2+67.00	90.5' RT.
⑧	2+68.00	102' RT.
⑨	2+20.00	108' RT.
⑩	2+20.00	129' RT.
⑪	2+06.00	129' RT.



\* MAXIMUM PAY LIMITS OF POROUS GRANULAR BACKFILL  
 \* MAXIMUM PAY LIMITS OF SAND BACKFILL

3183 SQ.YD. EROSION CONTROL BLANKET (ALL PERMANENTLY SEEDED SLOPES GREATER THAN 5:1)



**NOTES:**

- CONTRACTOR SHALL LOWER THE LAKE LEVEL DURING CONSTRUCTION. COFFERDAM SHALL BE DESIGNED AND INSTALLED TO PREVENT FLOOD WATERS FROM OVERTOPPING COFFERDAM.

FILE NAME = ...Sheets\Pr\_Spyw\_siteplan.dgn

USER NAME = Kristin Timmons  
 DESIGNED - KLT/JJF  
 DRAWN - GLD  
 CHECKED - KLT/JJF  
 DATE - 3/2/2010

REVISIONS:  
 REVISIONS -  
 REVISIONS -  
 REVISIONS -

**NIEMANVILLE TRAIL  
 MONTGOMERY COUNTY, ILLINOIS**

**PROPOSED SITE PLAN  
 F.A.U. ROUTE 8243**

SCALE: 1"=20' SHEET NO. OF 32 SHEETS STA. 0+00 TO STA. 6+00

F.A.U. RTE.	SECTION	COUNTY	TOTAL SHEETS	SHEET NO.
8243	09-00134-00-DR	MONTGOMERY	32	7
CONTRACT NO. 93537				

FED. ROAD DIST. NO. 6 ILLINOIS FED. AID PROJECT