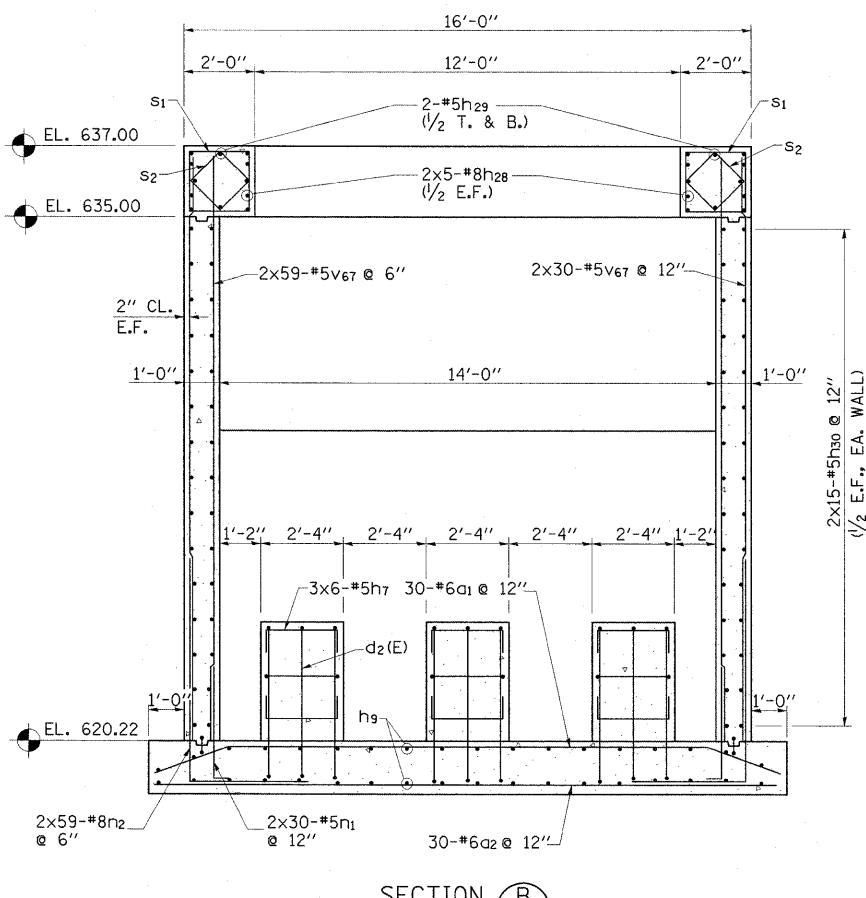
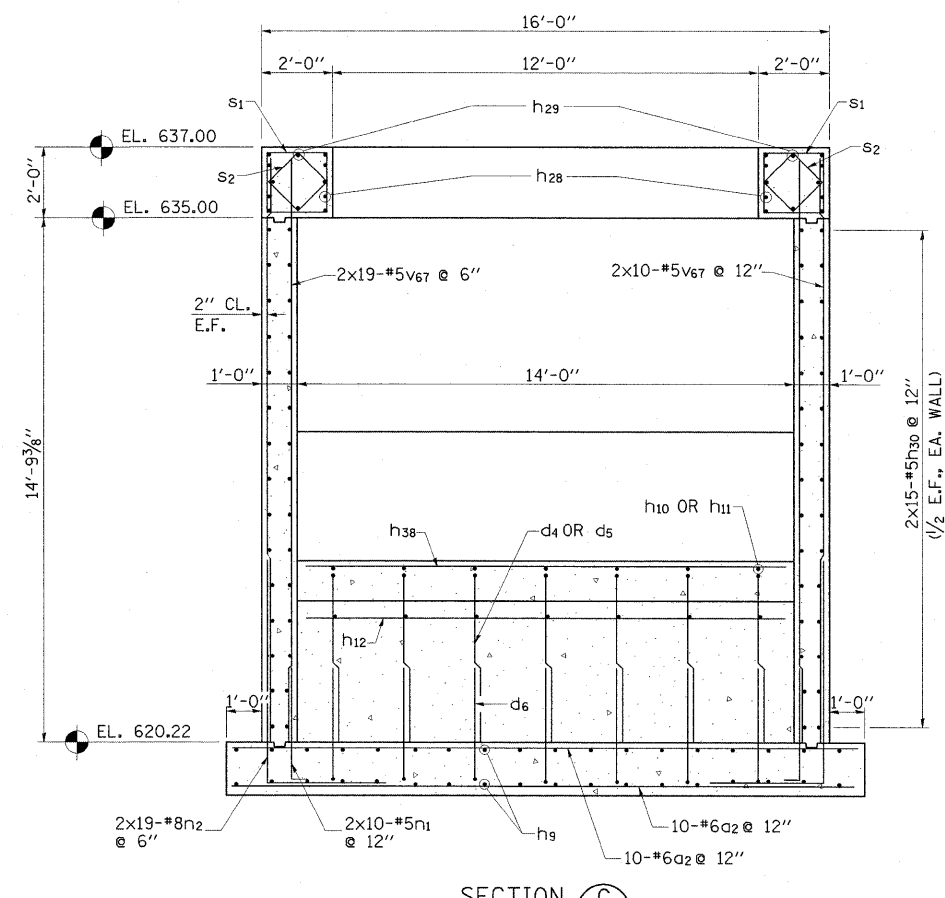


SECTION A
15



SECTION B
15



SECTION C
15

SPILLWAY STILLING BASIN
BILL OF MATERIAL

BAR	NO.	SIZE	LENGTH	SHAPE
a1	62	6	17'-11"	▬
a2	82	6	17'-6"	▬
d1(E)	9	5	12'-0"	┌┐
d2(E)	9	5	12'-0"	┌┐
d3	7	5	5'-7"	┌┐
d4	7	5	5'-11"	┌┐
d5	7	5	7'-11"	┌┐
d6	14	5	4'-1"	┌┐
d7(E)	7	5	4'-1"	┌┐
d8(E)	7	5	4'-2"	┌┐
d9	7	5	3'-10"	┌┐
h1	8	5	5'-0"	▬
h2	18	5	36'-3"	▬
h3	18	5	33'-2"	▬
h4	18	5	5'-0"	▬
h5	18	5	5'-10"	▬
h6	6	5	17'-6"	▬
h7	39	5	3'-8"	▬
h8	36	5	4'-7"	▬
h9	36	5	40'-9"	▬
h10	7	5	11'-1"	▬
h11	7	5	9'-8"	▬
h12	7	5	11'-9"	▬
h13	20	5	18'-6"	▬
h14	16	5	32'-0"	▬
h15	4	5	30'-2"	▬
h16	4	5	27'-2"	▬
h17	4	5	24'-2"	▬
h18	4	5	21'-2"	▬
h19	4	5	18'-2"	▬
h20	4	5	15'-2"	▬
h21	4	5	12'-2"	▬
h22	4	5	9'-2"	▬

BILL OF MATERIAL (CONT.)

BAR	NO.	SIZE	LENGTH	SHAPE
h23	4	5	6'-2"	▬
h24	4	5	3'-2"	▬
h25	20	8	37'-4"	▬
h26	4	5	34'-3"	▬
h27	24	5	4'-6"	▬
h28	20	8	39'-9"	▬
h29	4	5	39'-9"	▬
h30	120	5	21'-0"	▬
h31	68	5	11'-8"	▬
h32	32	5	4'-6"	▬
h33	24	5	14'-0"	▬
h34	16	8	10'-6"	▬
h35	4	8	15'-8"	▬
h36	8	8	12'-4"	▬
h37	16	8	8'-4"	▬
h38	21	5	13'-8"	▬
h39	4	5	7'-3"	▬
n1	174	5	4'-3"	┌┐
n2	286	8	11'-7"	┌┐
n3	24	6	5'-10"	┌┐
n4	24	5	8'-0"	┌┐
S1	192	4	7'-5"	▬
S2	136	4	5'-5"	▬
v1	28	5	9'-7"	▬
v2	4	5	5'-10"	▬
v3	2	5	6'-0"	▬
v4	4	5	6'-2"	▬
v5	2	5	6'-4"	▬
v6	4	5	6'-6"	▬
v7	2	5	6'-8"	▬
v8	4	5	6'-10"	▬
v9	2	5	7'-0"	▬

BILL OF MATERIAL (CONT.)

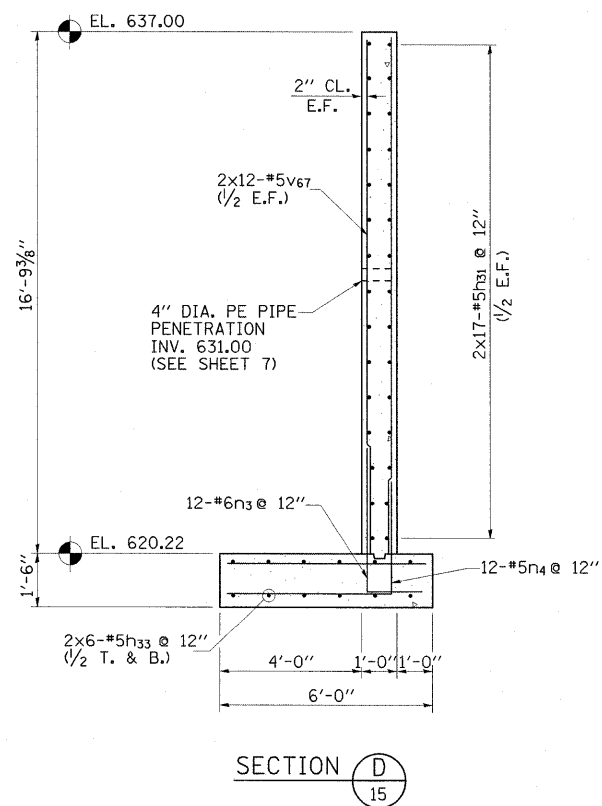
BAR	NO.	SIZE	LENGTH	SHAPE
v10	4	5	7'-2"	▬
v11	2	5	7'-4"	▬
v12	4	5	7'-6"	▬
v13	2	5	7'-8"	▬
v14	4	5	7'-10"	▬
v15	2	5	8'-0"	▬
v16	4	5	8'-2"	▬
v17	2	5	8'-4"	▬
v18	4	5	8'-6"	▬
v19	2	5	8'-8"	▬
v20	4	5	8'-10"	▬
v21	2	5	9'-0"	▬
v22	4	5	9'-2"	▬
v23	2	5	9'-4"	▬
v24	4	5	9'-6"	▬
v25	2	5	9'-8"	▬
v26	4	5	9'-10"	▬
v27	2	5	10'-0"	▬
v28	4	5	10'-2"	▬
v29	2	5	10'-4"	▬
v30	4	5	10'-6"	▬
v31	2	5	10'-8"	▬
v32	4	5	10'-10"	▬
v33	2	5	11'-0"	▬
v34	4	5	11'-2"	▬
v35	2	5	11'-4"	▬
v36	4	5	11'-6"	▬
v37	2	5	11'-8"	▬
v38	4	5	11'-10"	▬
v39	2	5	12'-0"	▬
v40	4	5	12'-2"	▬
v41	2	5	12'-4"	▬
v42	4	5	12'-6"	▬
v43	2	5	12'-8"	▬
v44	4	5	12'-10"	▬

BILL OF MATERIAL (CONT.)

BAR	NO.	SIZE	LENGTH	SHAPE
v45	2	5	13'-0"	▬
v46	4	5	13'-2"	▬
v47	2	5	13'-4"	▬
v48	4	5	13'-6"	▬
v49	2	5	13'-8"	▬
v50	4	5	13'-10"	▬
v51	2	5	14'-0"	▬
v52	4	5	14'-2"	▬
v53	2	5	14'-4"	▬
v54	4	5	14'-6"	▬
v55	2	5	14'-8"	▬
v56	4	5	14'-10"	▬
v57	2	5	15'-0"	▬
v58	4	5	15'-2"	▬
v59	2	5	15'-4"	▬
v60	4	5	15'-6"	▬
v61	2	5	15'-8"	▬
v62	4	5	15'-10"	▬
v63	2	5	16'-0"	▬
v64	4	5	16'-2"	▬
v65	2	5	16'-4"	▬
v66	4	5	16'-6"	▬
v67	284	5	16'-7"	▬

ITEM	UNIT	QUANTITY
CONCRETE STRUCTURES	CU. YD.	211.2
REINFORCEMENT BARS	POUND	37,820
REINFORCEMENT BARS (EPOXY COATED)	POUND	290

SEE SHEET 23 OF 32 FOR BAR BEND DETAILS



SECTION D
15