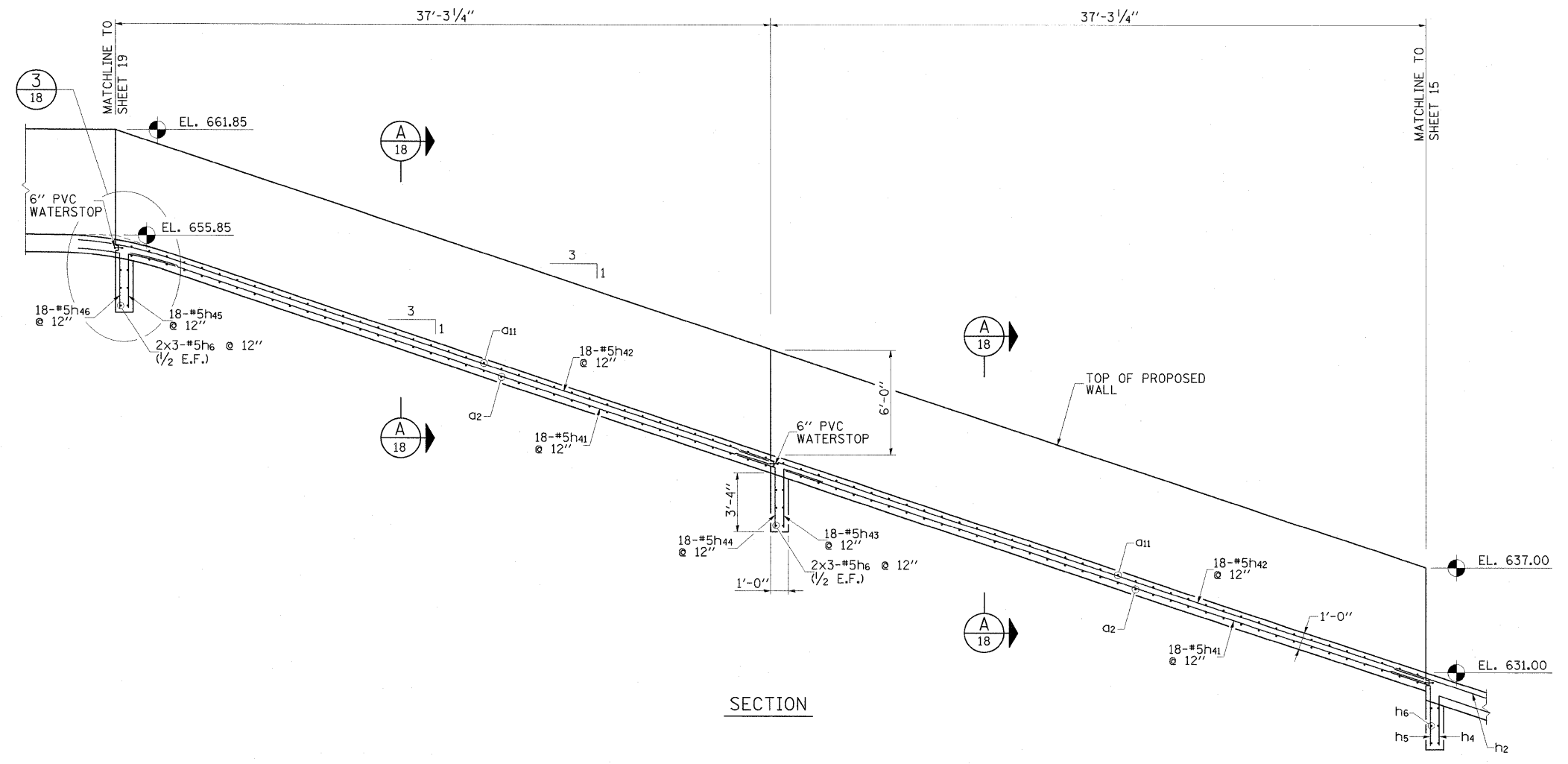


PLAN



SECTION

FILE NAME = ...NPr_Spychute_P5&0.tls.dgn
 USER NAME = Kristin Timmons
 PLOT SCALE = 4.0000' / IN.
 PLOT DATE = 3/3/2010

DESIGNED - KLT/JJF
 DRAWN - GLD
 CHECKED - KLT/JJF
 DATE - 3/2/2010

REVISED -
 REVISED -
 REVISED -
 REVISED -

**NIEMANVILLE TRAIL
 MONTGOMERY COUNTY, ILLINOIS**

**PROPOSED SPILLWAY CHUTE PLAN & SECTION
 F.A.U. ROUTE 8243**

SCALE: N/A SHEET NO. 17 OF 32 SHEETS STA. TO STA.

F.A.U. RTE.	SECTION	COUNTY	TOTAL SHEETS	SHEET NO.
8243	09-00134-00-DR	MONTGOMERY	32	17
CONTRACT NO. 93537				

FED. ROAD DIST. NO. 6 ILLINOIS FED. AID PROJECT