

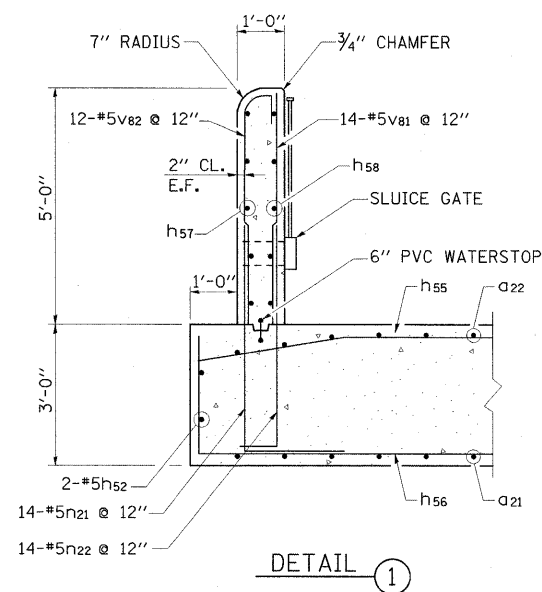
SECTION **F**  
19

WEIR STR.-BILL OF MATERIAL

BAR	NO.	SIZE	LENGTH	SHAPE
a2	52	6	17'-6"	—
a11	52	5	17'-9"	—
a21	42	7	22'-6"	—
a22	42	7	17'-9"	—
h51	36	5	28'-3"	—
h52	2	5	17'-6"	—
h53	36	5	26'-0"	—
h54	20	5	4'-6"	L
h55	18	7	44'-2"	—
h56	18	7	41'-6"	—
h57	5	5	15'-6"	—
h58	5	5	14'-6"	—
h59	14	5	22'-9"	—
h60	10	5	22'-2"	—
h61	48	5	20'-2"	—
h62	48	5	28'-11"	—
h63	4	5	20'-3"	—
h64	8	5	5'-5"	U
n11	104	5	3'-10"	—
n12	104	5	5'-3"	—
n21	98	5	7'-3"	L
n22	96	5	5'-10"	L
s11	16	4	5'-2"	□
s12	8	4	5'-1"	□

BILL OF MATERIAL (CONT.)

BAR	NO.	SIZE	LENGTH	SHAPE
v81	22	5	4'-9"	—
v82	12	5	5'-10"	┌
v83	20	5	5'-11"	┌
v84	20	5	4'-10"	—
v85	20	5	6'-0"	┌
v86	20	5	5'-0"	—
v87	8	5	4'-11"	—
v88	72	5	12'-1"	—
v89	104	5	5'-7"	—
v90	104	5	5'-9"	—
v91	26	5	6'-1"	—
ITEM	UNIT	QUANTITY		
CONCRETE STRUCTURES	CU. YD.	167		
REINFORCEMENT BARS	POUND	19,800		
SLUICE GATE	EACH	1		



DETAIL **1**

SEE SHEET 23 OF 32 FOR BAR BEND DETAILS