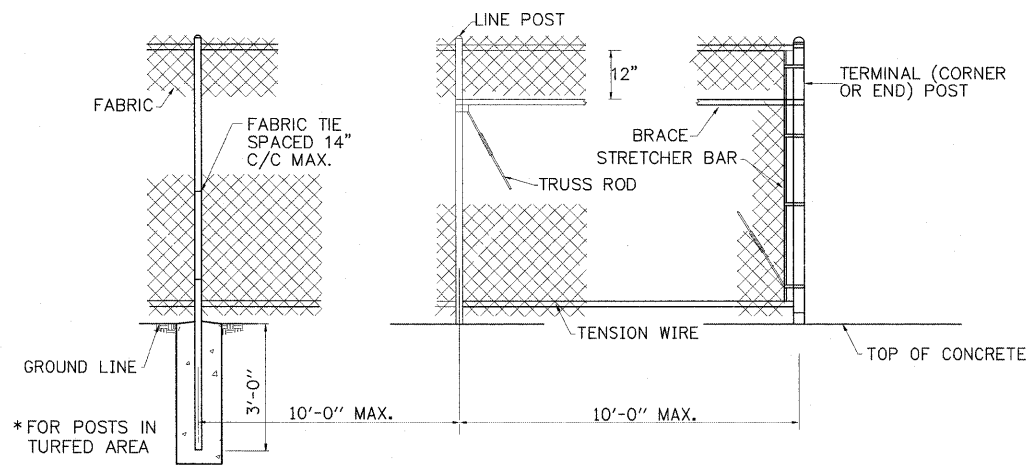
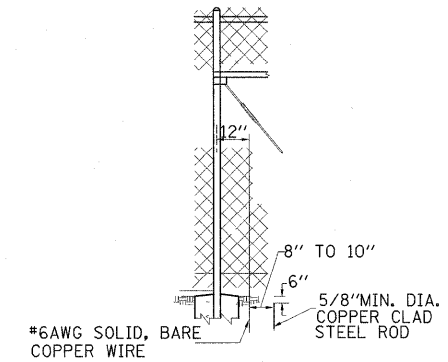


PULL POSTS SHALL BE PLACED AT LOCATIONS DETERMINED BY THE ENGINEER. THEY SHALL BE PLACED AT 600-FOOT INTERVALS BETWEEN POSTS WHICH THE ENDS OF THE FABRIC ARE CLAMPED OR MIDWAY BETWEEN SUCH POSTS WHEN THE DISTANCE IS LESS THAN 1320' AND GREATER THAN 660'.

**PULL POST ARRANGEMENT**  
NTS



**LINE POST ARRANGEMENT** **TERMINAL OR END POST ARRANGEMENT**  
NTS



**STANDARD GROUND**  
NTS

**PROTECTIVE ELECTRICAL GROUNDS**

FENCE IN TURFED AREA SHALL BE GROUNDED AT INTERVALS OF 50'. THE GROUND WIRE SHALL BE CONNECTED TO THE FABRIC AND THE GROUND ROD BY A MECHANICAL CLAMP OF CAST BRONZE BODY AND BRONZE OR STAINLESS STEEL BOLTS AND WASHERS.

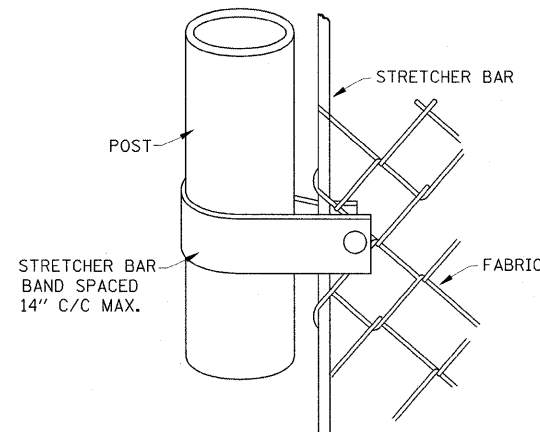
HORIZONTAL BRACES — SIZES & WEIGHTS	
SECTION	LBS./LIN. FEET
PIPE TYPE A 1.66" O.D.	2.27
PIPE TYPE B 1.66" O.D.	1.83
PIPE TYPE C 1.66" O.D.	1.82
"H" (1.31" X 1.5")	2.25
ROLL FORMED 1 5/8" X 1 1/4"	SEE DETAIL

LINE POSTS — SIZES & WEIGHTS	
SECTION	LBS./LIN. FEET
PIPE TYPE A 1.90" O.D.	2.72
PIPE TYPE B 1.90" O.D.	2.28
PIPE TYPE C 1.90" O.D.	2.26

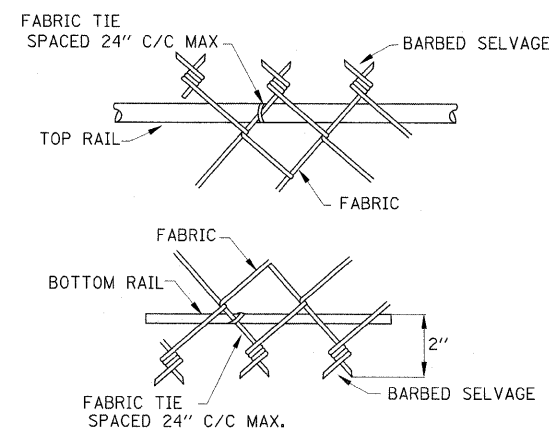
TERMINAL POSTS — SIZES & WEIGHTS	
SECTION	LBS./LIN. FEET
PIPE TYPE A 2.375" O.D.	3.65
PIPE TYPE B 2.375" O.D.	3.11
PIPE TYPE C 2.375" O.D.	3.09

**NOTES:**

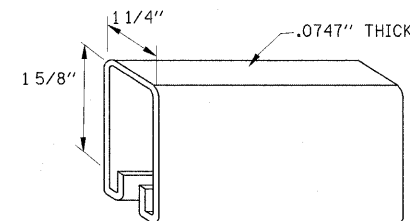
- UTILIZE PIPE TYPE A FOR ALL LINE AND TERMINAL POSTS.
- PIPE SHALL BE ASTM A53, GRADE B OR ASTM A500, GRADE B.
- BASE PLATES SHALL BE ASTM A36 MINIMUM.
- GALVANIZED MATERIALS SHALL BE PROVIDED FOR FENCING AND POSTS.
- ANCHORS SHALL BE STAINLESS STEEL CHEMICAL ADHESIVE TYPE AND SHALL BE INSTALLED PER MANUFACTURERS RECOMMENDATIONS.



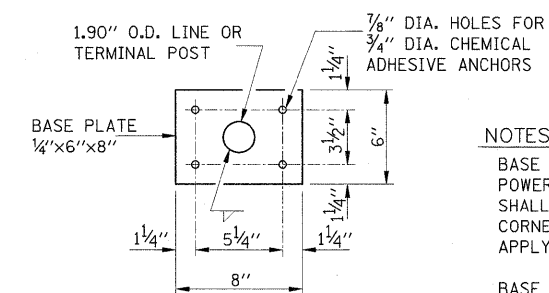
**METHOD OF FASTENING STRETCHER BAR TO POST**  
NTS



**METHOD OF TYING FABRIC TO TENSION WIRES**  
NTS



**ROLL FORM SECTION OF BRACE**  
NTS



**FENCE POST BASE PLATE DETAIL**  
NTS

**NOTES:**

- BASE PLATE SHALL BE CLEANED WITH POWER WIRE BRUSH AND THE WELD SHALL BE GROUND SMOOTH. GRIND CORNERS AND EDGES TO 1/8 INCH RADIUS. APPLY 2 COATS OF ZRC COLD GALVANIZING.
- BASE PLATE SHALL HAVE ANGLE TO CONFORM TO THE SLOPE OF TOP OF WALL.
- DRILL 1/2 INCH DRAINAGE HOLE THROUGH CENTER OF EACH BASE PLATE.
- ANCHOR BOLTS, NUTS AND WAHERS SHALL BE 304 STAINLESS STEEL.