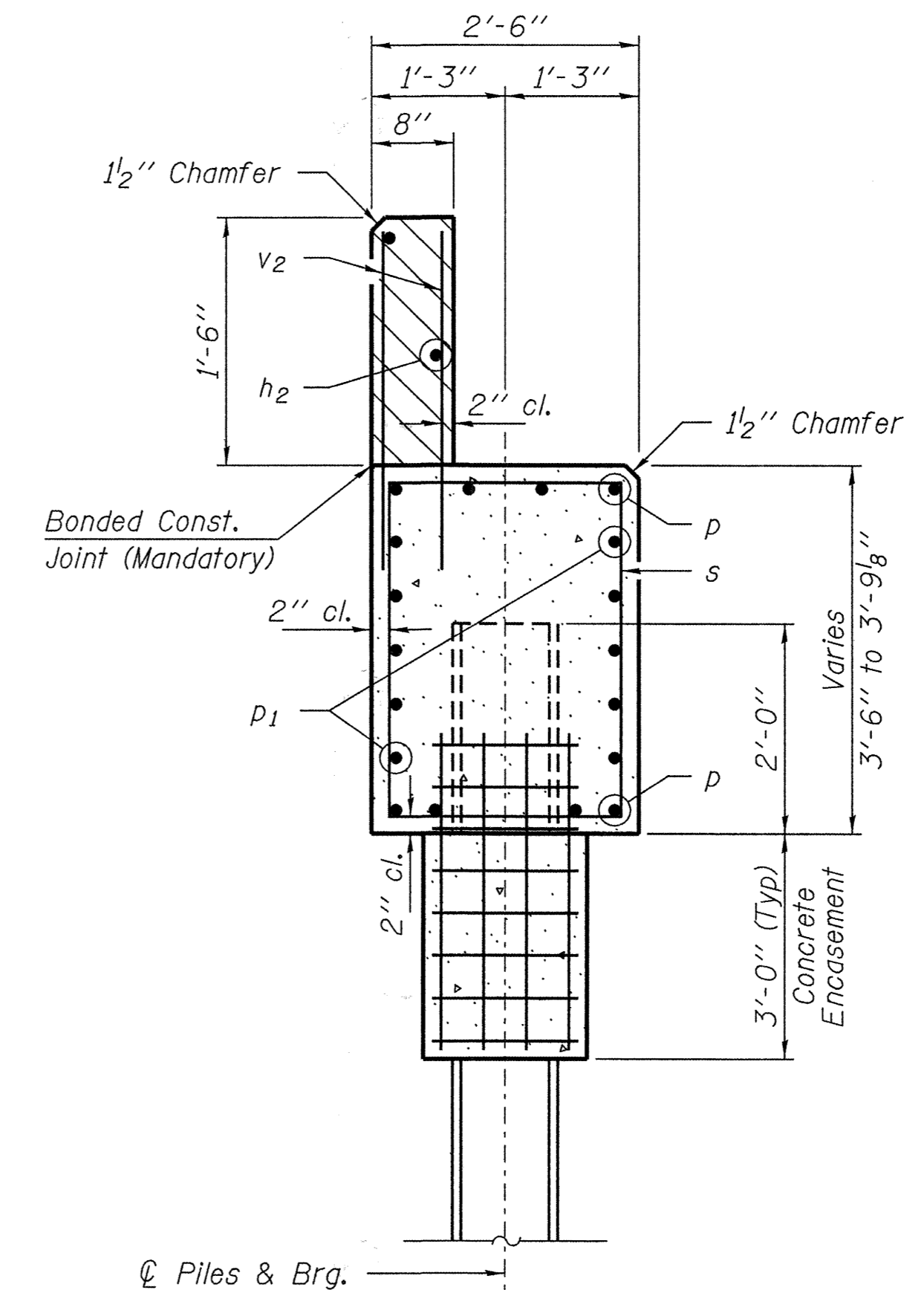
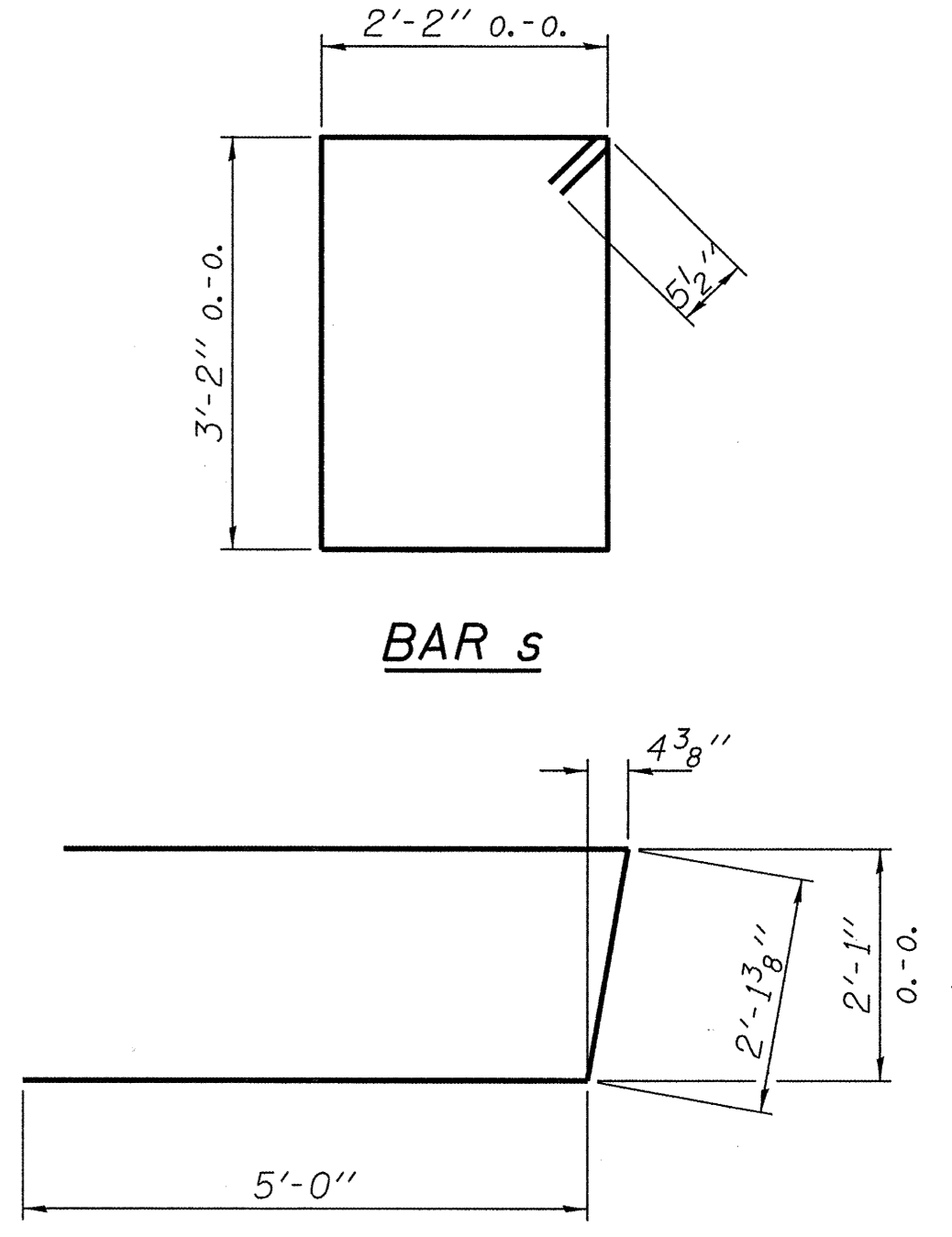


PLAN



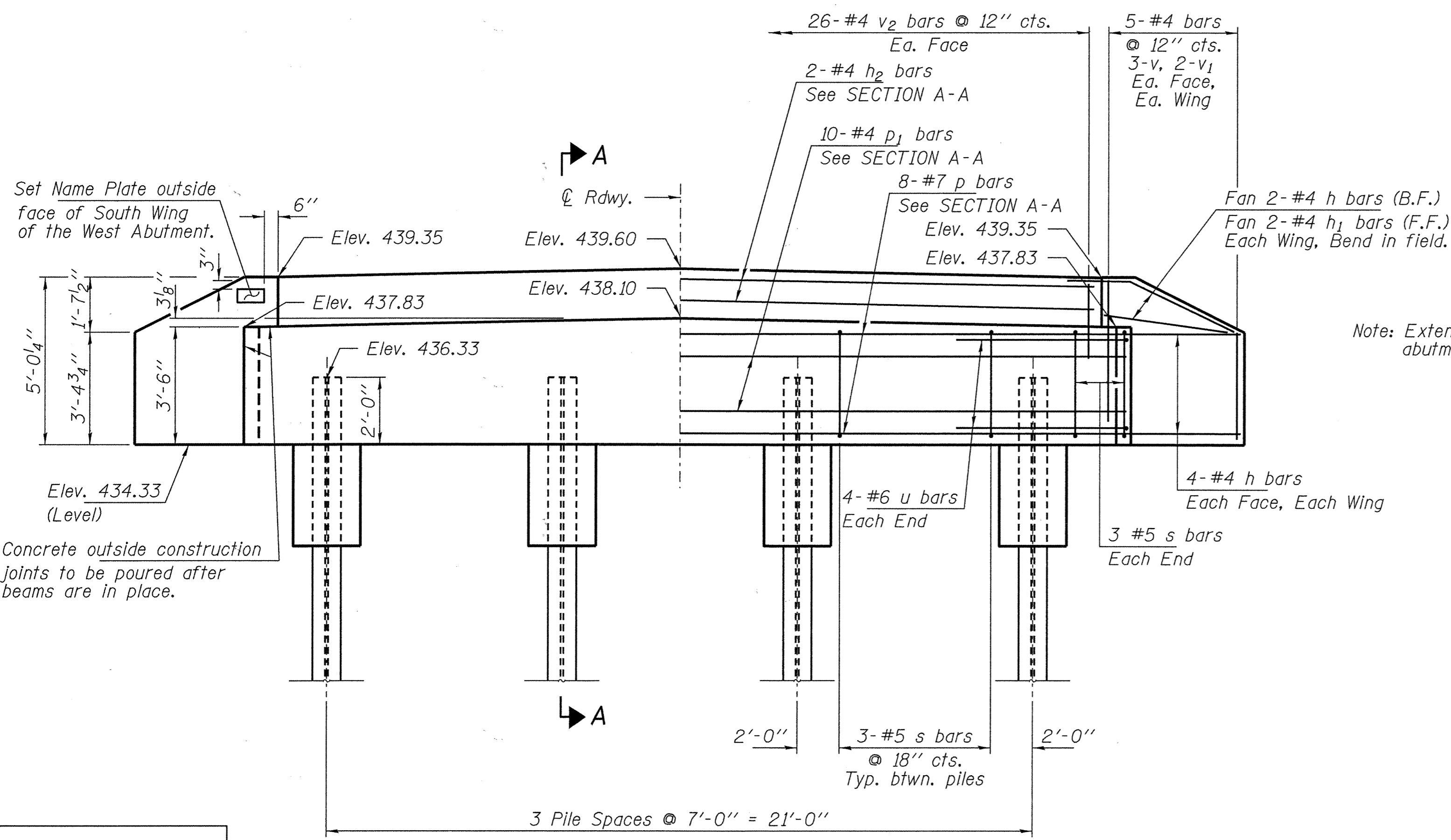
SECTION A-A

Hatched area to be poured after beams are in place.



BAR s

BAR u



ELEVATION

BILL OF MATERIAL - 2 ABUTS.

BAR	NO.	SIZE	LENGTH	SHAPE
h	40	#4	5'-6"	—
h1	8	#4	4'-0"	—
h2	4	#4	25'-9"	—
p	16	#7	25'-9"	—
p1	20	#4	25'-9"	—
s	30	#5	11'-7"	□
u	16	#6	12'-2"	—
v	24	#4	4'-1"	—
v1	16	#4	3'-1"	—
v2	104	#4	2'-4"	—
Concrete Structures			Cu. Yd.	21.8
Concrete Encasement			Cu. Yd.	2.8
Reinforcement Bars			Pound	2,340
Steel Piles HP10x42			Foot	175
Test Pile Steel HP10x42			Each	1
Name Plates			Each	1

PILE DATA

Type: Steel HP10x42  
 No. Req'd. (2 Abuts.): 8  
 Factored Resistance Available (Rf): 167 Kips/Pile  
 Nominal Required Bearing (Rn): 335 Kips/Pile  
 Est. Length: 25 Ft/Pile

Notes: \* Includes one test pile to be driven in permanent location at the West Abutment.

The Steel H-Piles shall be according to AASHTO M270 Grade 50.

The test piles shall be driven to 110 percent of the Nominal Required Bearing indicated in the pile data information.

DESIGNED - A.S.L.
CHECKED - S.W.M.
DRAWN - D.A.B.
CHECKED - S.W.M.

ABUTMENTS  
 STRUCTURE NO. 013-3235

**HAMPTON, LENZINI AND RENWICK, INC.**  
 CIVIL ENGINEERS - STRUCTURAL ENGINEERS - LAND SURVEYORS  
 3085 STEVENSON DRIVE, SUITE 201  
 SPRINGFIELD, ILLINOIS 62703  
 217.546.3400 www.hlrengineering.com

184.000959  
 ILLINOIS PROFESSIONAL DESIGN FIRM LS / PE / SE CORPORATION

PROJECT NUMBER: 09.0128 DATE: 02/18/10

T.R.	SECTION	COUNTY	TOTAL SHEETS	SHEET NO.
363	06-11129-00-BR	CLAY	16	14
STANFORD ROAD DISTRICT		CONTRACT NO. 95621		
FED. ROAD DIST. NO.	ILLINOIS	FED. AID PROJECT BROS-025(061)		