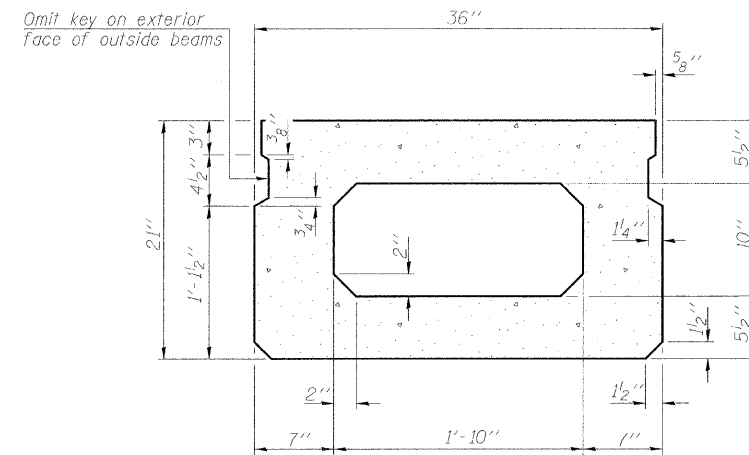
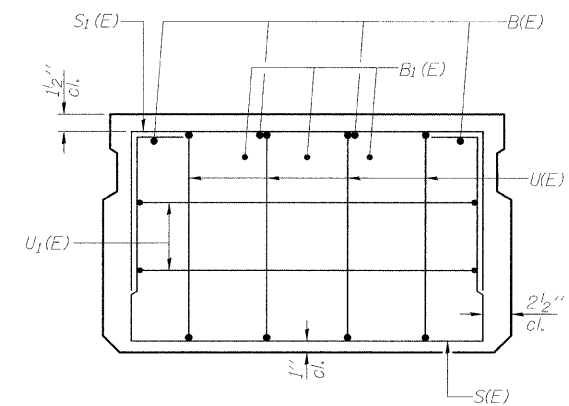


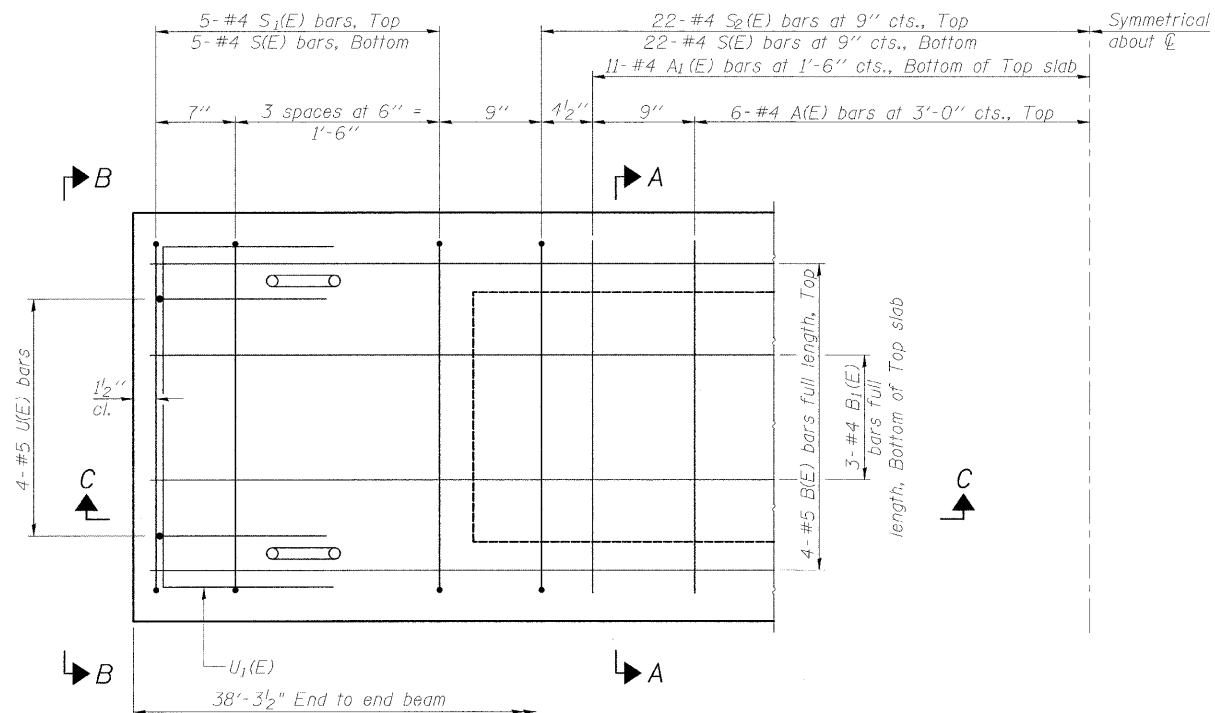
SECTION C-C



SECTION A-A
(Showing dimensions)

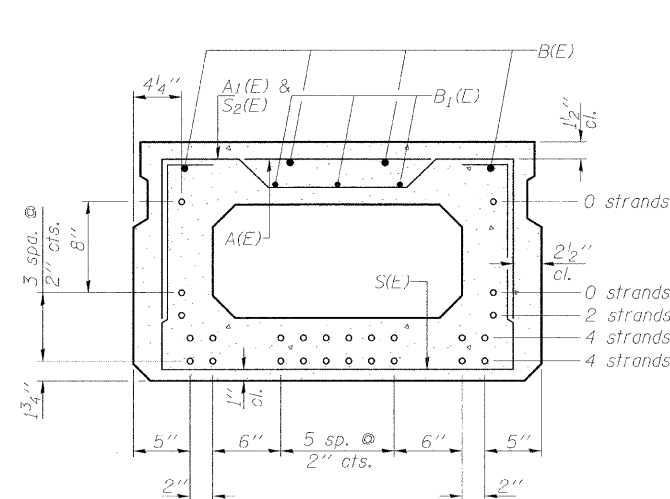


VIEW B-B



PLAN VIEW

Note: Spacing of S(E) and S2(E) bars may be adjusted up to 4" in the immediate area of the transverse tie diaphragms to miss the block outs for the transverse ties.



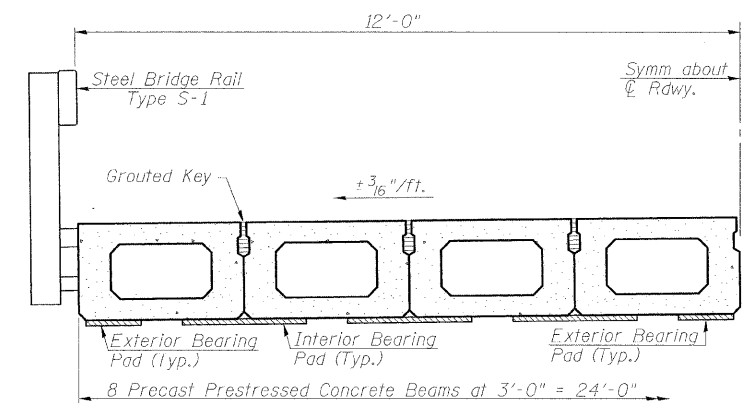
SECTION A-A

(Showing reinforcement and permissible strand locations)

Note: Place the number of strands specified in each row symmetrically about the centerline of beam in the permissible strand locations shown.

MINIMUM BAR LAP

#4 bar = 2'-0"
#5 bar = 2'-6"



HALF CROSS SECTION

BAR LIST
ONE BEAM ONLY

(For information only)

Bar	No.	Size	Length	Shape
A(E)	12	#4	2'-7"	—
A1(E)	22	#4	2'-10"	~
B(E)	4	#5	38'-0"	—
B1(E)	3	#4	38'-0"	—
S(E)	54	#4	6'-5"	□
S1(E)	10	#4	4'-11"	□
S2(E)	44	#4	5'-2"	□
U(E)	8	#5	4'-0"	□
U1(E)	4	#4	5'-0"	□

Note: See sheet 7 of 19 for additional details and Bill of Material.

21" x 36" PPC DECK BEAM
SPANS 1 & 3

PD-2136-0

11-1-09

FILE NAME	USER NAME = #USER#	DESIGNED - ---	REVISED - ---	<p>Allen Henderson & Associates, Inc. Civil and Structural Engineers Springfield, IL. 62703 Phone: (217)544-8033 IL Design Firm No. 184-001907</p>	<p>SUPERSTRUCTURE SPANS 1 & 3</p>	T.R. RTE.	SECTION	COUNTY	TOTAL SHEETS	SHEET NO.
PLOT SCALE = #SCALE#	CHECKED - ---	REVISED - ---	159			07-18118-00-BR	SHELBY	19	6	
PLOT DATE = #DATE#	DATE - ---	REVISED - ---	S.N. 087-3567			CONTRACT NO. 95626				
			SCALE: NONE			SHEET NO. 6 OF 19 SHEETS	STA. 12+75.00 TO STA. 18+75.00	FED. ROAD DIST. NO. - ILLINOIS FED. AID PROJECT		

FILE