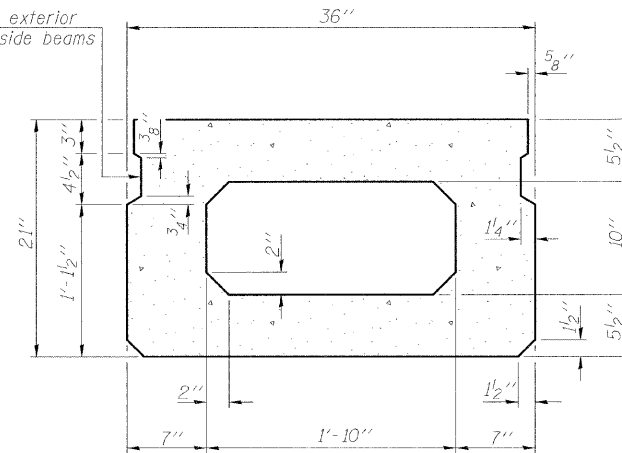
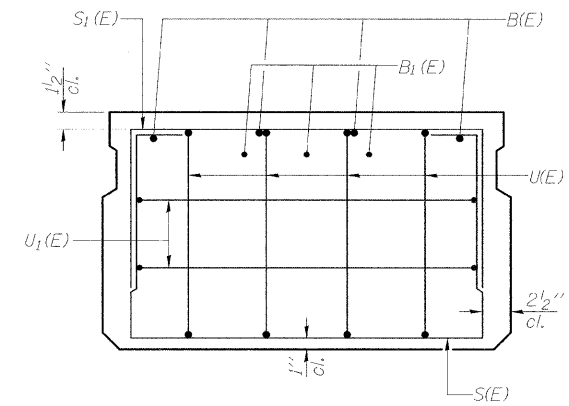


SECTION C-C

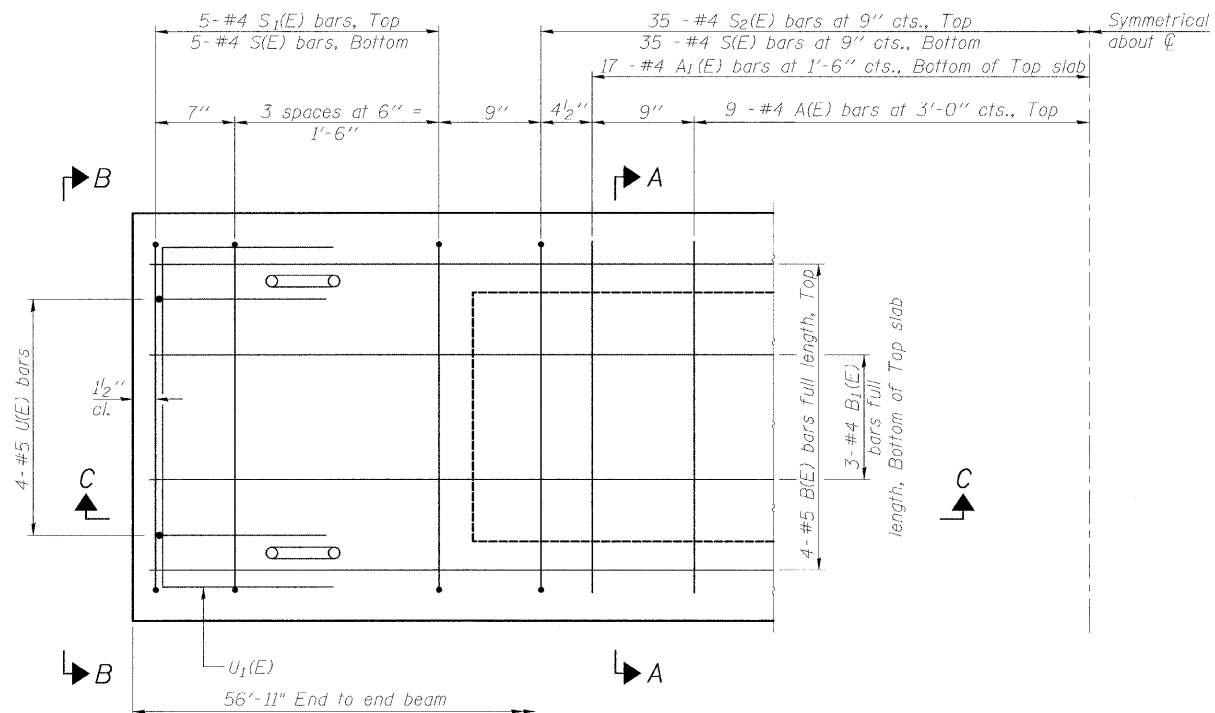
Omit key on exterior face of outside beams



SECTION A-A
(Showing dimensions)

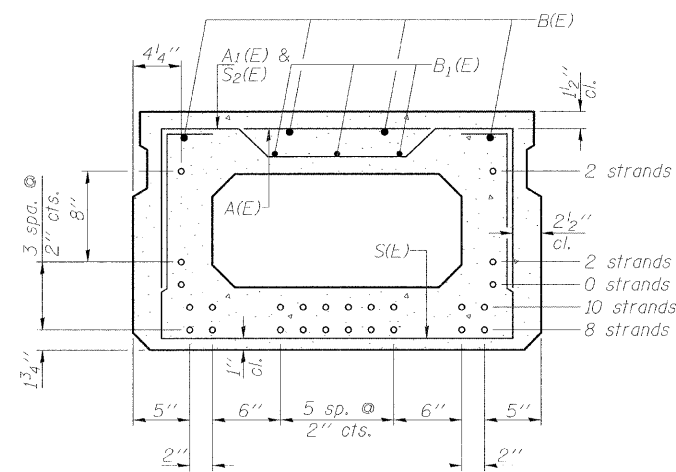


VIEW B-B



PLAN VIEW

Note: Spacing of S(E) and S2(E) bars may be adjusted up to 4\"/>



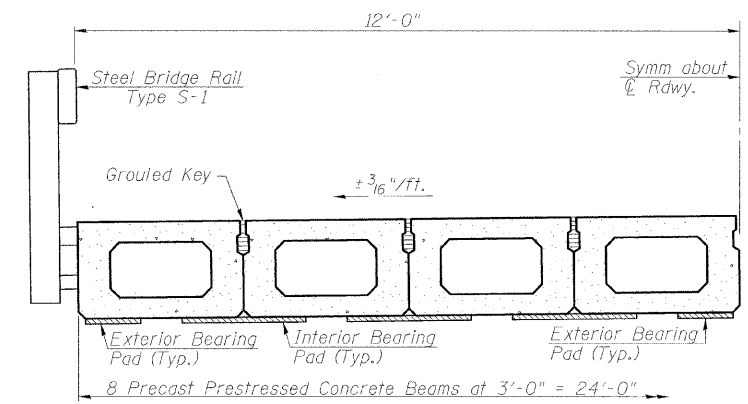
SECTION A-A

(Showing reinforcement and permissible strand locations)

Note: Place the number of strands specified in each row symmetrically about the centerline of beam in the permissible strand locations shown.

MINIMUM BAR LAP

#4 bar = 2'-0"
#5 bar = 2'-6"



HALF CROSS SECTION

BAR LIST
ONE BEAM ONLY

(For information only)

Bar	No.	Size	Length	Shape
A(E)	18	#4	2'-7"	—
A1(E)	34	#4	2'-10"	~
B(E)	4	#5	56'-8"	—
B1(E)	3	#4	56'-8"	—
S(E)	80	#4	6'-5"	□
S1(E)	10	#4	4'-11"	□
S2(E)	70	#4	5'-2"	□
U(E)	8	#5	4'-0"	□
U1(E)	4	#4	5'-0"	□

Note: See sheet 9 of 19 for additional details and Bill of Material.

21" x 36" PPC DECK BEAM
SPAN 2

PD-2136-0

11-1-09

FILE NAME -	USER NAME = #USER#	DESIGNED -	REVISED -
		DRAWN -	REVISED -
	PLOT SCALE = #SCALE#	CHECKED -	REVISED -
	PLOT DATE = #DATE#	DATE -	REVISED -



Allen Henderson & Associates, Inc.
Civil and Structural Engineers Springfield, IL
62703 Phone: (217)544-8033 IL Design Firm
No. 184-001907

SCALE: NONE		SHEET NO. 6 OF 19 SHEETS		STA. 12+75.00 TO STA. 18+75.00	
SUPERSTRUCTURE SPAN 2		T.R. RTE. 159	SECTION 07-18118-00-BR	COUNTY SHELBY	TOTAL SHEETS 19
S.N. 087-3567		FED. ROAD DIST. NO. ILLINOIS		CONTRACT NO. 95626	

#FILE#