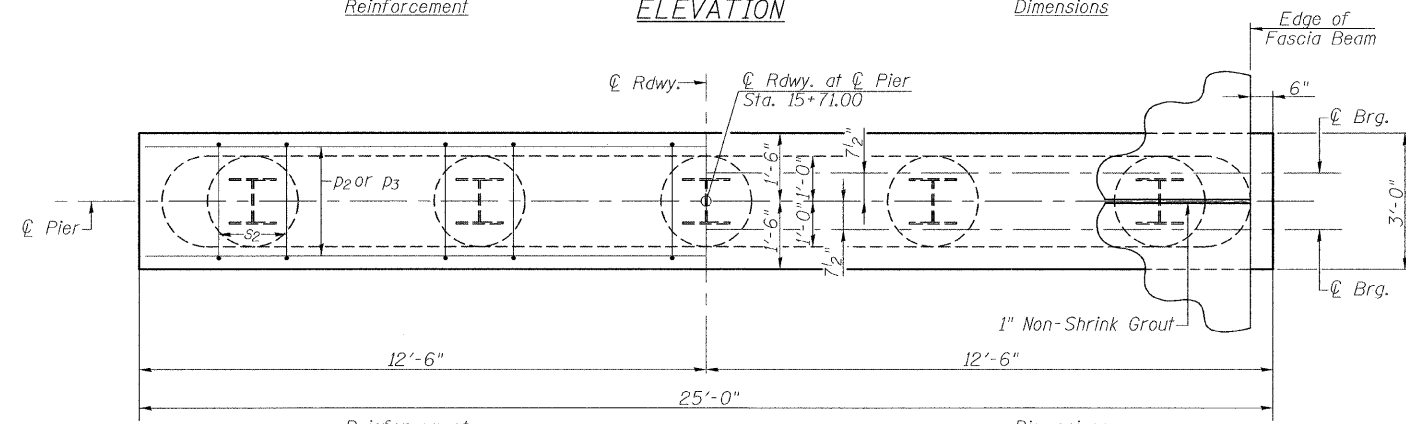
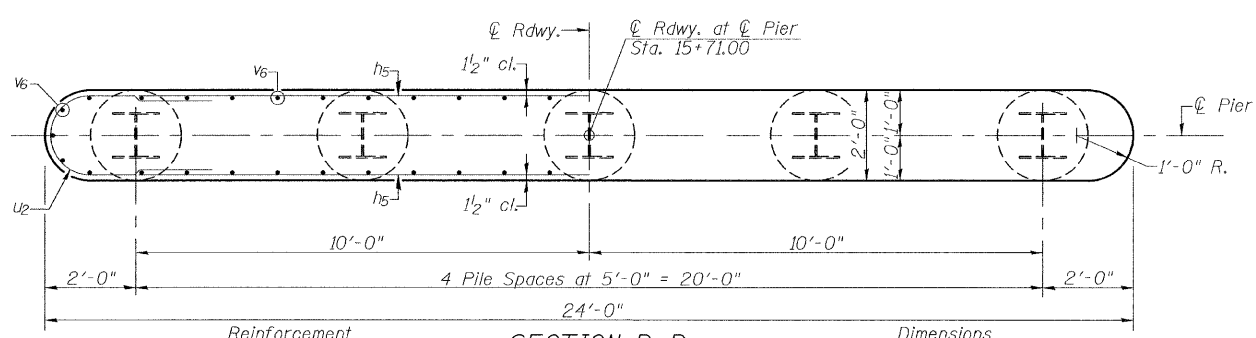


Reinforcement ELEVATION Dimensions



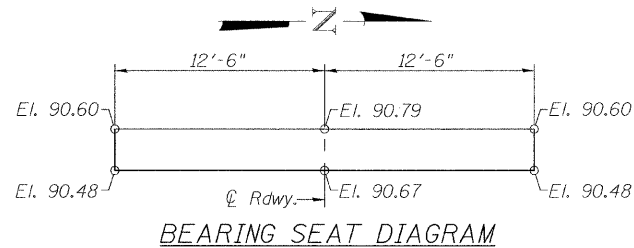
Reinforcement PLAN Dimensions



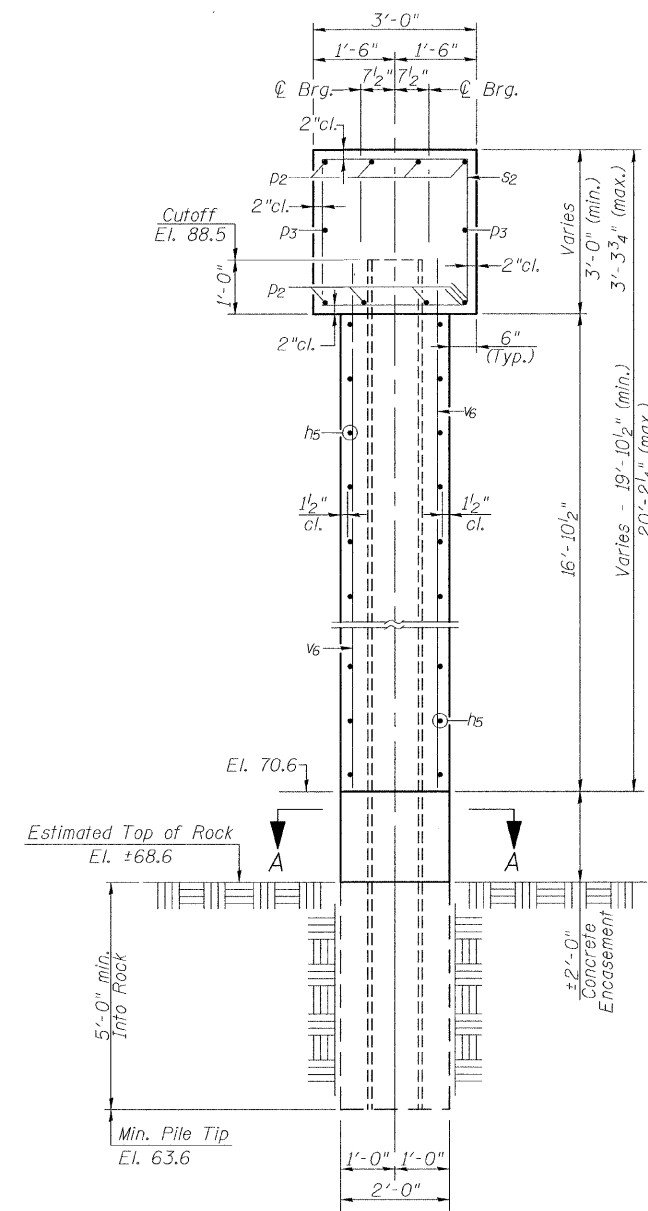
Reinforcement SECTION B-B Dimensions

PILE DATA

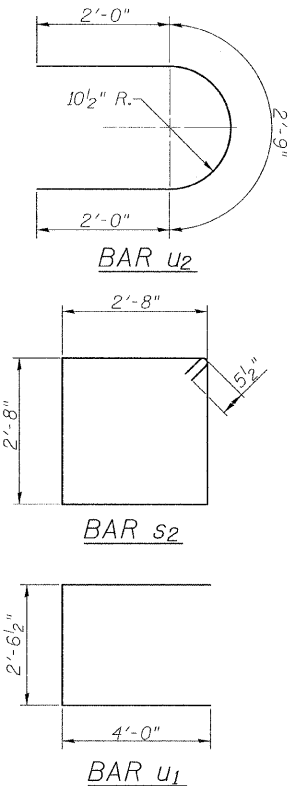
Pier 2
 Type: Steel HP 12x53
 Nominal Required Bearing: 419 Kips
 Factored Resistance Available: 209 Kips
 Estimated Pile Length: 30'
 Number of Production: 5
 Number of Test Piles: 0



BEARING SEAT DIAGRAM



SECTION THRU PIER



PIER 2 BILL OF MATERIAL

BAR	NO.	SIZE	LENGTH	SHAPE
h5	34	#5	21'-0"	—
p2	8	#8	24'-8"	—
p3	2	#5	24'-8"	—
s2	30	#5	11'-7"	□
u1	8	#6	10'-7"	□
u2	34	#6	6'-9"	C
v6	52	#7	19'-0"	—
Concrete Structures			Cu. Yd.	38.3
Reinforcement Bars			Pound	4180
Furnishing Steel Piles, HP 12x53			Foot	150
Underwater Structure Excavation				
Protection - Location 2			Each	1
Structure Excavation			Cu. Yd.	19
Setting Piles in Rock			Each	5
Concrete Encasement			Cu. Yd.	1.2

NOTES

All exposed edges shall have standard 3/4" chamfer except as noted.
 Space reinforcement in pier caps to miss beam anchor dowels.
 The Steel H-Piles shall be according to AASHTO M270, Grade 50.
 If a portion of the pier wall or concrete encasement is under water, reinforcement may be placed underwater into forms. Concrete shall be tremied according to Article 503.08 of the Standard Specifications to an elevation of 1'-0" above the water line at the time of construction.
 Work this sheet with Sheet No. 15 of 19.

FILE NAME =	USER NAME = #USER#	DESIGNED -	REVISED -	Allen Henderson & Associates, Inc. Civil and Structural Engineers Springfield, IL 62703 Phone: (217)544-8033 IL Design Firm No. 184-001907	PIER 2 SCALE: NONE SHEET NO. 14 OF 19 SHEETS STA. 12+75.00 TO STA. 18+75.00	T.R. RTE.	SECTION	COUNTY	TOTAL SHEETS	SHEET NO.
PLOT SCALE = #SCALE#	CHECKED -	REVISED -	159			07-1818-00-BR	SHELBY	19	14	
PLOT DATE = #DATE#	DATE -	REVISED -	S.N. 087-3567			CONTRACT NO. 95626				
			FED. ROAD DIST. NO. - ILLINOIS FED. AID PROJECT							