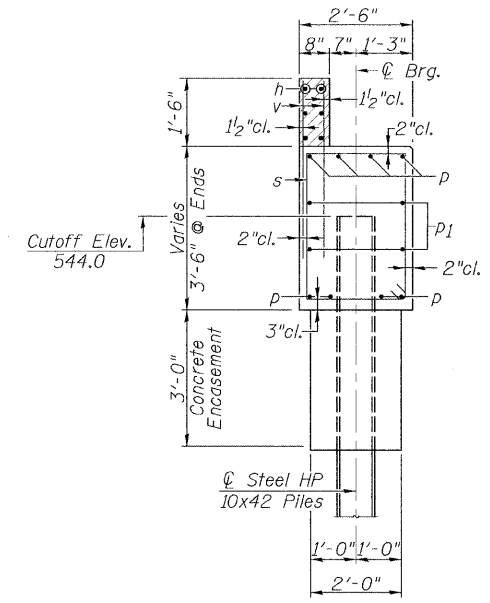


ELEVATION
(S. Abut. Looking South)
(N. Abut. Looking North)

PILE DATA

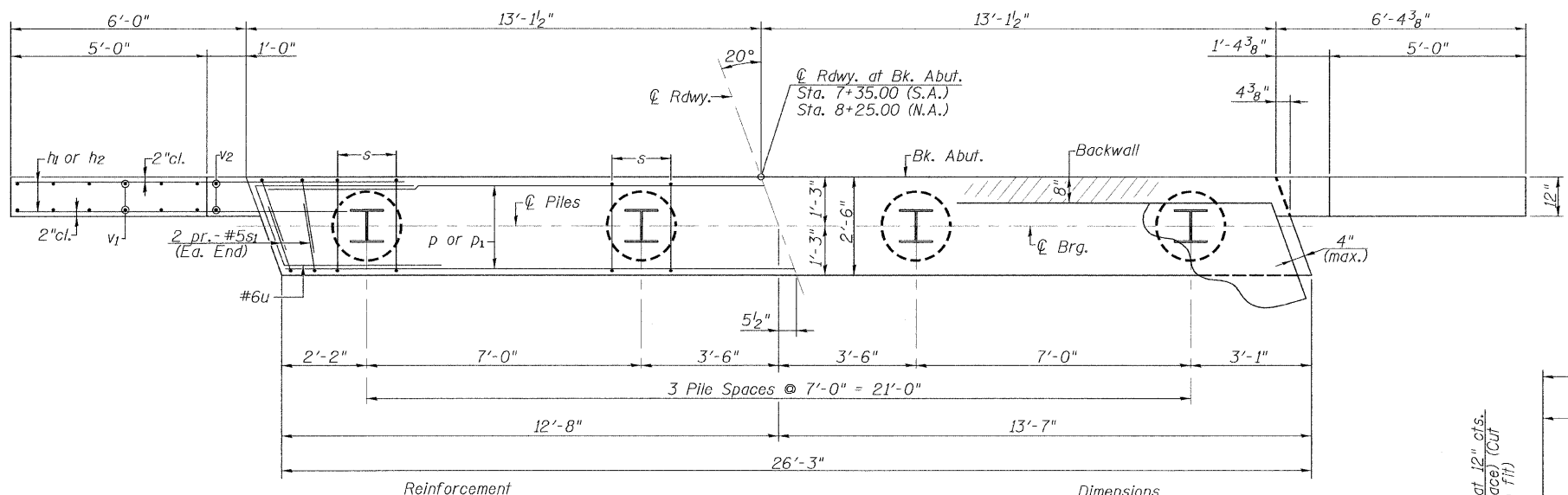
	(S. Abut.)	(N. Abut.)
Type:	Steel HP 10x42	Steel HP 10x42
Nominal Required Bearing:	206 Kips	206 Kips
Factored Resistance Available:	103 Kips	103 Kips
Estimated Pile Length:	44'	45'
Number of Production:	3	3
Number of Test Piles:	1	1



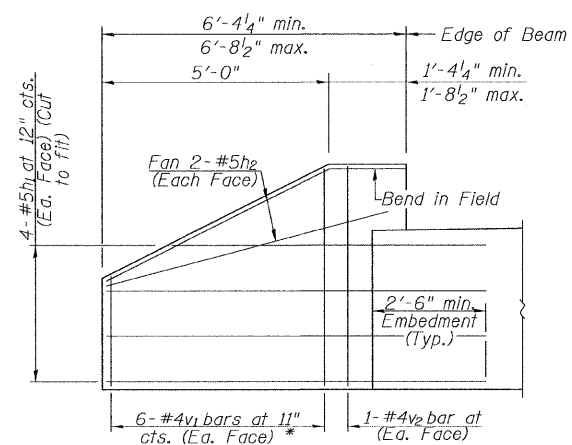
SECTION THRU ABUTMENT

NOTES

All exposed edges shall have standard $\frac{3}{4}$ " chamfer.
Space reinforcement in cap to miss beam anchor dowels.
Wingwalls and Backwalls may, at the contractor's option, be cast monolithically.
Hatched area and wingwalls shall be poured after deck beams are anchored in place.
The Steel H-Piles shall be according to AASHTO M270, Grade 50.
If a portion of the pier wall or concrete encasement is under water, reinforcement may be placed underwater into forms. Concrete shall be tremied according to Article 503.08 of the Standard Specifications to an elevation of 1'-0" above the water line at the time of construction.
The Contractor shall drive test piles to 110% of the nominal required bearing specified in production locations at substructures specified or approved by the Engineer before ordering the remainder of piles.



PLAN

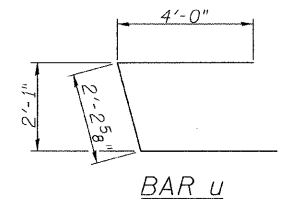
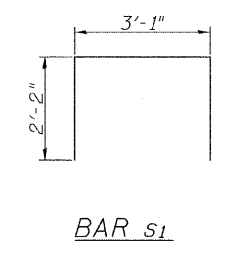
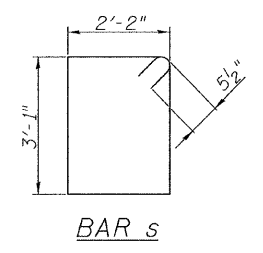
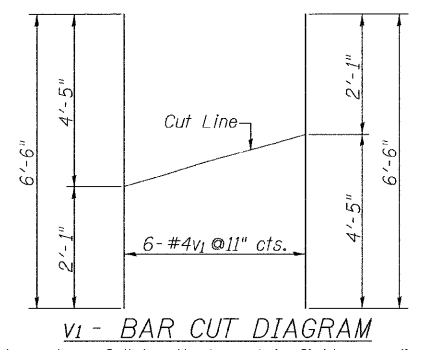


WINGWALL ELEVATION
(Showing Reinforcement)
* See v1-bar cut diagram

BILL OF MATERIAL
TWO ABUTMENTS

BAR	NO.	SIZE	LENGTH	SHAPE
h	12	#4	27'-3"	—
h1	32	#5	8'-11"	—
h2	16	#5	7'-0"	—
p	16	#7	25'-10"	—
p1	8	#5	25'-10"	—
s	46	#5	11'-5"	□
s1	16	#5	7'-5"	□
u	16	#6	10'-3"	□
v	108	#4	3'-0"	—
v1	24	#4	6'-6"	—
v2	8	#4	4'-6"	—
Concrete Structures			Cu. Yd.	23.1
Reinforcement Bars			Pound	2960
Furnishing Steel Piles HP 10x42			Foot	267
Driving Piles			Foot	267
Test Pile Steel HP 10x42			Each	2
Concrete Encasement			Cu. Yd.	2.8
Structure Excavation			Cu. Yd.	21

ABUTMENTS
S.N. 087-3571



v1 - BAR CUT DIAGRAM
Order v1 bars full length. Layout in field according to diagram. Cut v1 bars along cut line. Use remainder of each bar in opposite face.

<p>Allen Henderson & Associates, Inc. Civil and Structural Engineers Springfield, IL. 62703 Phone: (217)544-8033 IL. Design Firm No. 184-001907</p>	<p>SHEET NO. 8</p> <p>10 SHEETS</p>	T.R. RTE.	SECTION	COUNTY	TOTAL SHEETS	SHEET NO.
		140	09-05118-00-BR	SHELBY	21	11
		STR. NO. 087-3571		CONTRACT NO. 95628		
		FED. ROAD DIST. NO. ILLINOIS FED. AID PROJECT				