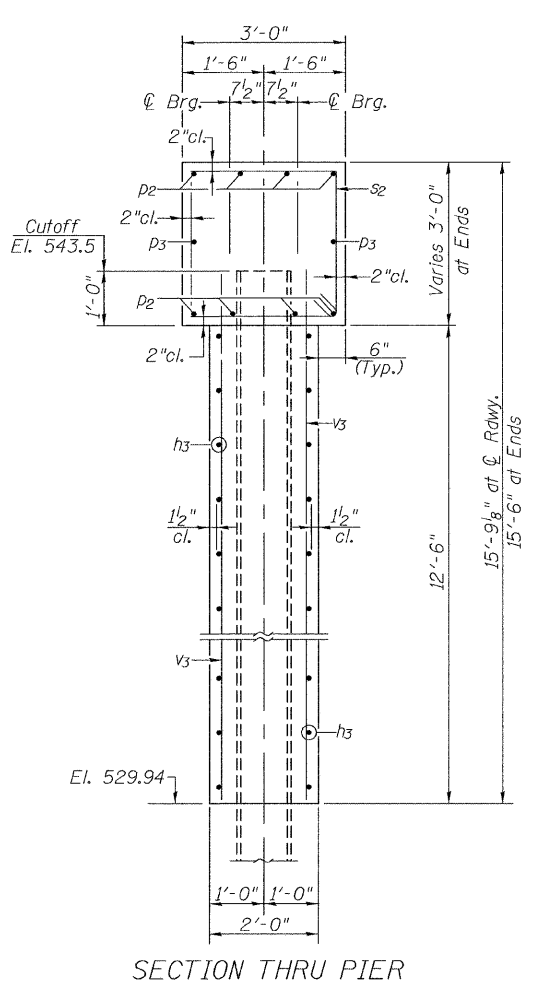
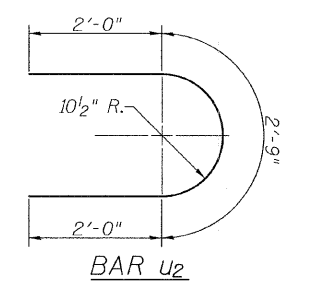
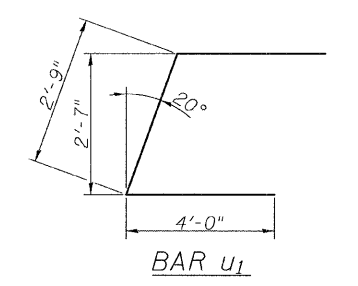
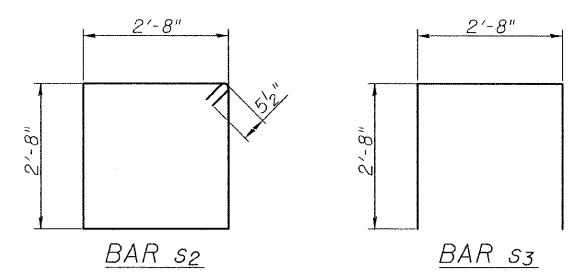


PILE DATA

| | Pier 1 | Pier 2 |
|--------------------------------|----------------|----------------|
| Type: | Steel HP 10x42 | Steel HP 10x42 |
| Nominal Required Bearing: | 284 Kips | 284 Kips |
| Factored Resistance Available: | 142 Kips | 142 Kips |
| Estimated Pile Length: | 54' | 54' |
| Number of Production: | 4 | 4 |
| Number of Test Piles: | 1 | 1 |

NOTES

The Steel H-Piles shall be according to AASHTO M270, Grade 50.
 All exposed edges shall have standard 3/4" chamfer except as noted.
 Space reinforcement in pier caps to miss beam anchor dowels.
 The Contractor shall drive test piles to 110% of the nominal required bearing specified in production locations at substructures specified or approved by the Engineer before ordering the remainder of piles.
 If a portion of the pier wall or concrete encasement is under water, reinforcement may be placed underwater into forms. Concrete shall be tremied according to Article 503.08 of the Standard Specifications to an elevation of 1'-0" above the water line at the time of construction.



BILL OF MATERIAL TWO PIERS

| BAR | NO. | SIZE | LENGTH | SHAPE |
|---|-----|---------|--------|-------|
| h3 | 52 | #5 | 23'-7" | — |
| p2 | 16 | #7 | 26'-2" | — |
| p3 | 4 | #5 | 26'-2" | — |
| s2 | 44 | #5 | 11'-7" | □ |
| s3 | 16 | #5 | 8'-0" | □ |
| u1 | 16 | #6 | 10'-9" | U |
| u2 | 52 | #6 | 6'-9" | U |
| v3 | 108 | #5 | 14'-3" | — |
| Concrete Structures | | Cu. Yd. | 65.2 | |
| Reinforcement Bars | | Pound | 5300 | |
| Furnishing Steel Piles, HP 10x42 | | Foot | 432 | |
| Driving Piles | | Foot | 432 | |
| Test Pile, Steel HP 10x42 | | Each | 2 | |
| Underwater Structure Excavation Protection - Location 1 | | Each | 1 | |
| Underwater Structure Excavation Protection - Location 2 | | Each | 1 | |
| Structure Excavation | | Cu. Yd. | 46 | |

PIERS
S.N. 087-3571

| | | | | | | |
|--|-------------------------------------|---|----------------|--------------------|--------------|-----------|
| <p>Allen Henderson & Associates, Inc. Civil and Structural Engineers Springfield, IL 62703 Phone: (217)544-8033 IL Design Firm No. 184-001907</p> | <p>SHEET NO. 9</p> <p>10 SHEETS</p> | T.R. RTE. | SECTION | COUNTY | TOTAL SHEETS | SHEET NO. |
| | | 140 | 09-05118-00-BR | SHELBY | 21 | 12 |
| | | STR. NO. 087-3571 | | CONTRACT NO. 95628 | | |
| | | FED. ROAD DIST. NO. ILLINOIS FED. AID PROJECT | | | | |