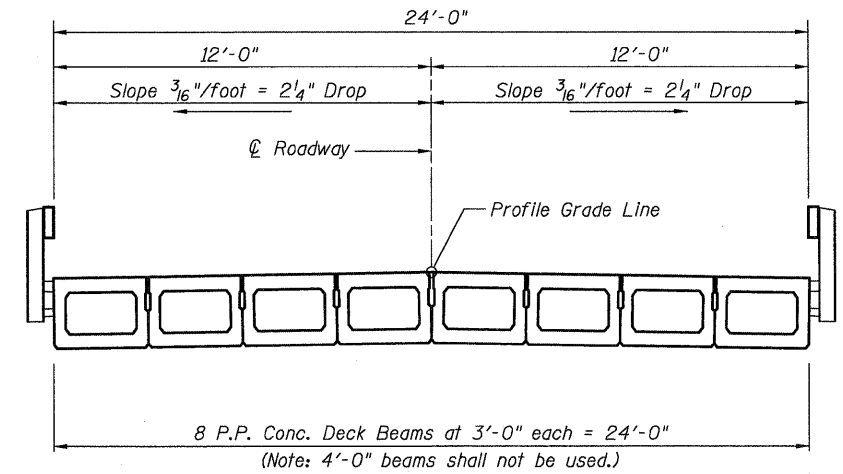
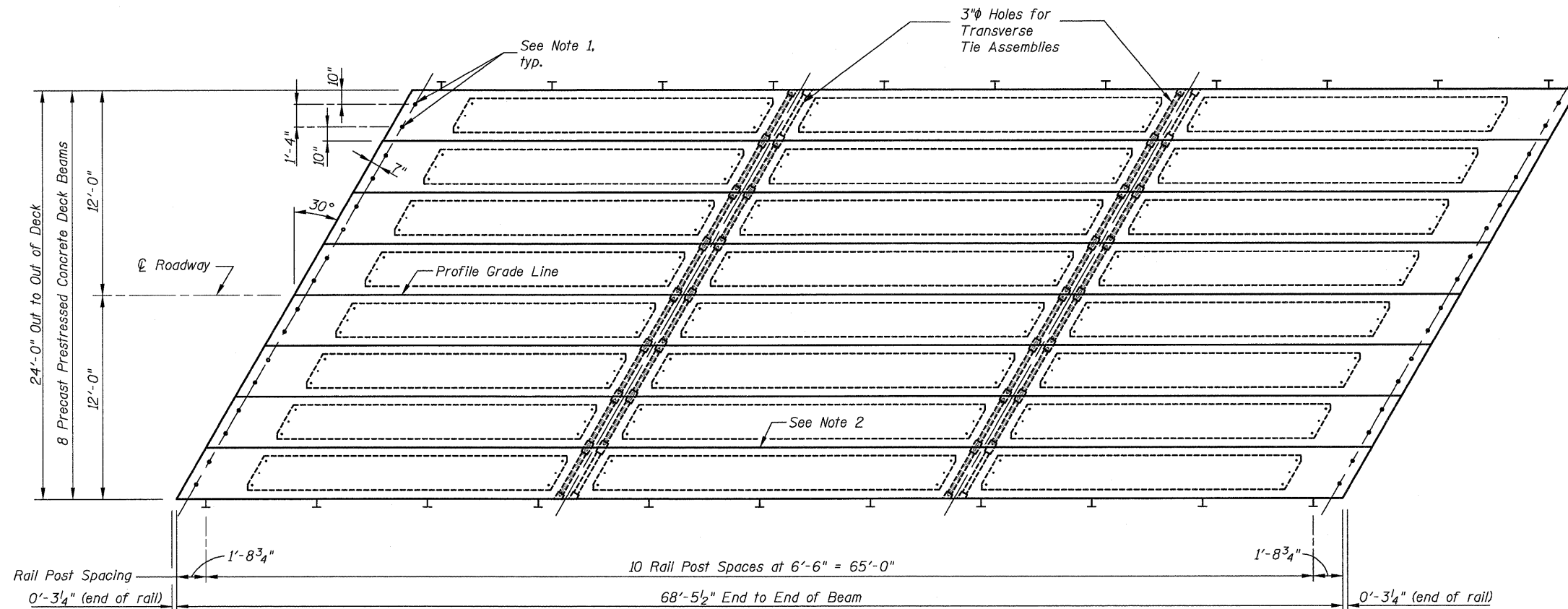


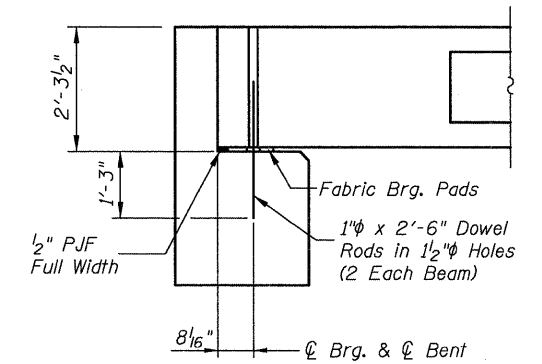
ELEVATION



CROSS SECTION



PLAN

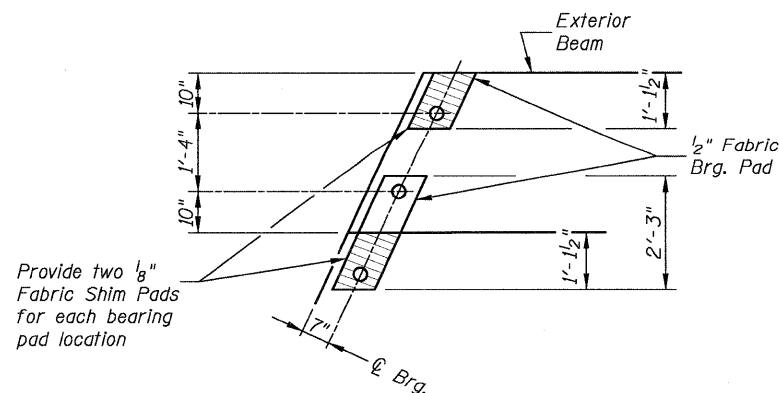


SECTION AT ABUTS.

(Along \varnothing Beams)

NOTES

1. After beams have been erected, holes shall be drilled into substructure and anchor dowels placed. Dowel holes shall be filled with non-shrinkgrout to top of beam and allowed to cure min. 24 hrs. prior to grouting the shear keys.
2. Longitudinal keys shall be grouted.



1/2" FABRIC BRG. PAD DETAILS

BILL OF MATERIAL

Item	Unit	Quantity
Portland Cement Mortar Fairing Course	Foot	480

DESIGNED	B.I.B.
CHECKED	L.D.G.
DRAWN	K.H.L.
CHECKED	B.G.H.

SUPERSTRUCTURE		T.R.	SECTION	COUNTY	TOTAL SHEETS	SHEET NO.
SHEET NO.	2	165	96-14115-00-BR	WASHINGTON	15	6
8 SHEETS		S.N. 095-3251		CONTRACT NO. 97435		
FED. ROAD DIST. NO. -		ILLINOIS		FED. AID PROJECT		