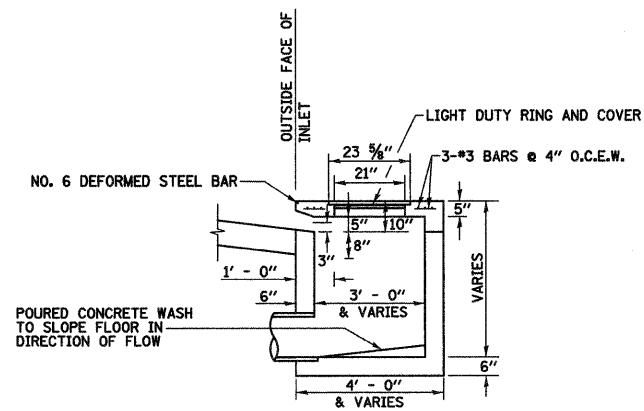
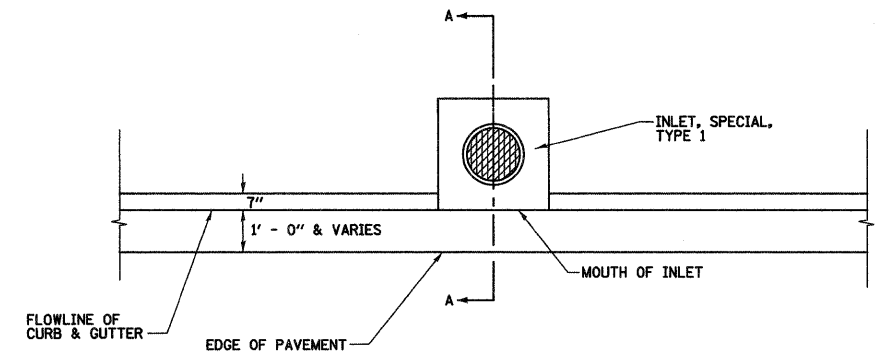


MILLING CONNECTION
N.T.S.

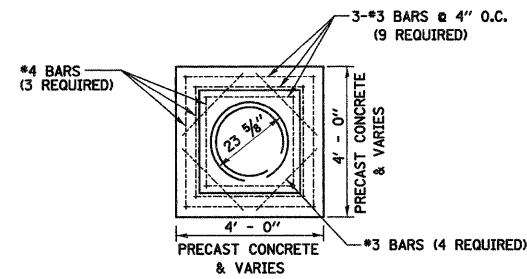


NOTES:
REINFORCING BARS USED IN THE INLET SHALL BE #4 BARS @ 10" O.C. BOTH WAYS.

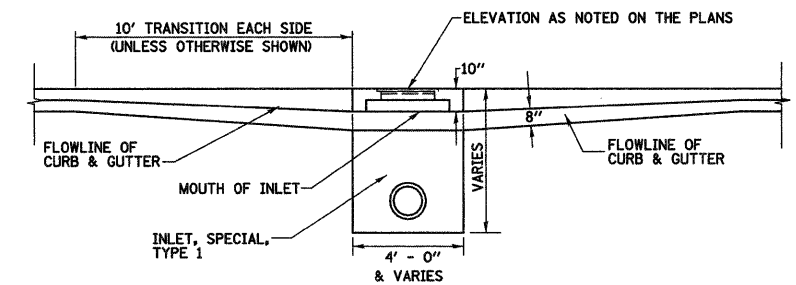
SECTION A-A
N.T.S.



PLAN
N.T.S.



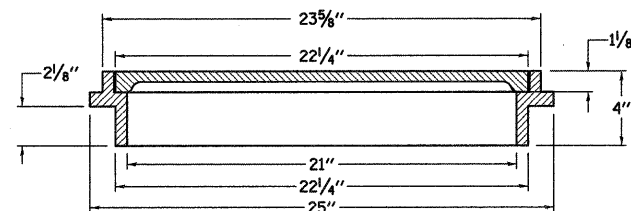
CONCRETE LID PLAN
N.T.S.



FRONT ELEVATION
N.T.S.

INLET TYPE	INSIDE WIDTH	LID TYPE
INLETS, SPECIAL, TYPE 1	3 X 3	NORMAL

INLET WALL	
TYPE	THICKNESS
PRECAST CONCRETE	6"
CAST-IN-PLACE CONCRETE	6"



LIGHT DUTY RING AND COVER
N.T.S.

NOTES:
REINFORCING BARS, CLASS "PC" CONCRETE, CAST IRON RING AND COVER, AND ALL MATERIAL AND LABOR SHALL BE INCLUDED IN THE UNIT PRICE BID FOR "INLET, SPECIAL, TYPE 1" COMPLETE AND IN PLACE.
THE TOPS OF ALL INLETS WHICH ARE LOCATED IN CURVES SHALL BE CONSTRUCTED TO CONFORM TO THE RADIUS OF THE CURVE.
THE INLET SHALL BE A CATCH BASIN W/FLAT LID OR SIMILAR BASED ON STRUCTURE SIZE.
THE INLET LID AS WELL AS THE RING AND COVER USED SHALL BE ACCORDING TO THE DETAILS AS SHOWN IN THE PLANS.
DETAILS FOR THE INLET, SPECIAL TYPE 1 AS SHOWN ABOVE ARE BASED UPON INSIDE DIMENSIONS OF 3'X3'.

INLETS, SPECIAL, TYPE 1,
N.T.S.

FILE NAME =	USER NAME = ramesh	DESIGNED - BFK	REVISED -
#FILE#		DRAWN - JDH	REVISED -
	PLOT SCALE = #SCALE#	CHECKED - BFK	REVISED -
	PLOT DATE = 4/13/2010	DATE - 4/21/09	REVISED -

**CITY OF MADISON
STATE STREET**

MISCELLANEOUS DETAILS

SCALE: N.T.S. SHEET NO. OF SHEETS STA. TO STA.

F.A.U. RTE.	SECTION	COUNTY	TOTAL SHEETS	SHEET NO.
9096	05-00021-02-RS	MADISON	37	37
CONTRACT NO. 97441				
FED. ROAD DIST. NO. ILLINOIS FED. AID PROJECT				