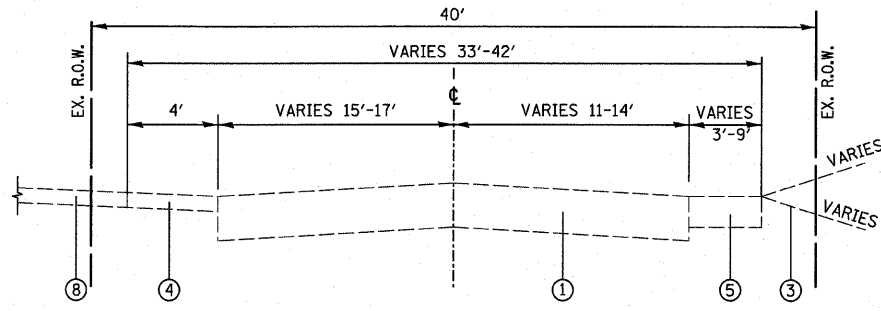
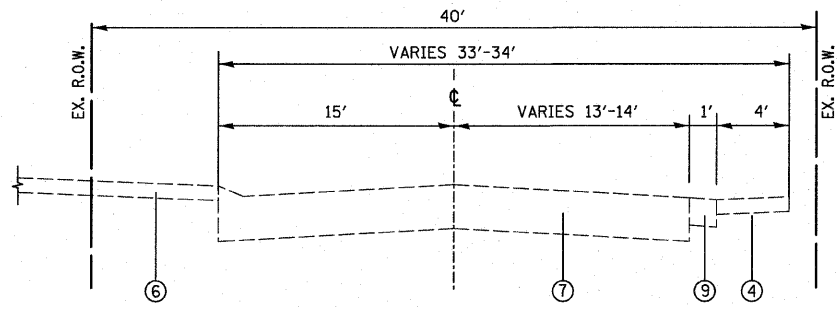


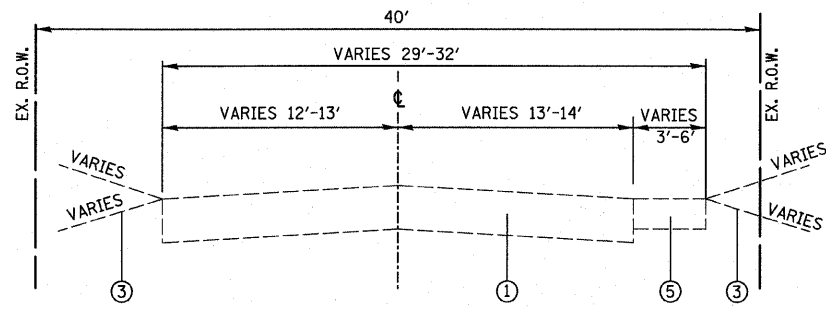
F.A.U. RTE.	SECTION	COUNTY	TOTAL SHEETS	SHEET NO.
9307	06-00042-02-PV	MONROE	32	6
STA.		TO STA.		
FED. ROAD DIST. NO.	ILLINOIS FED. AID PROJECT			



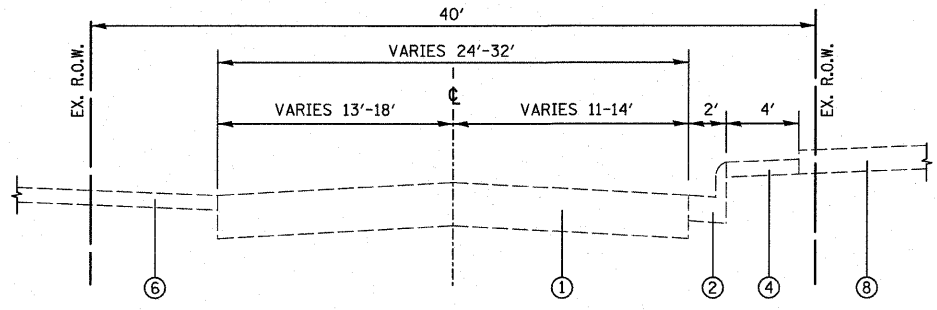
EXISTING KUNZ STREET
STA. 57+40.27 TO STA. 59+24.00



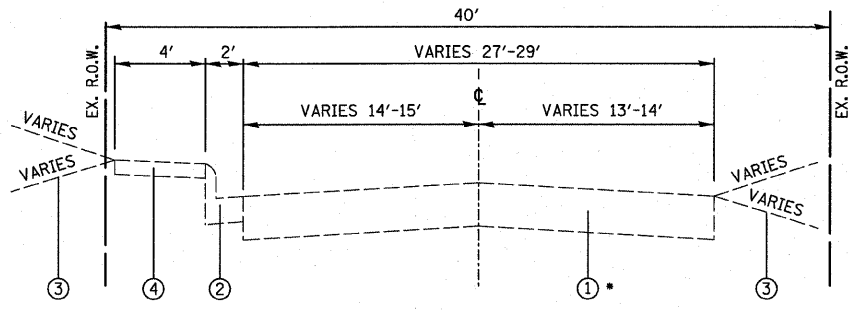
EXISTING KUNZ STREET
STA. 61+61.44 TO STA. 62+76.52



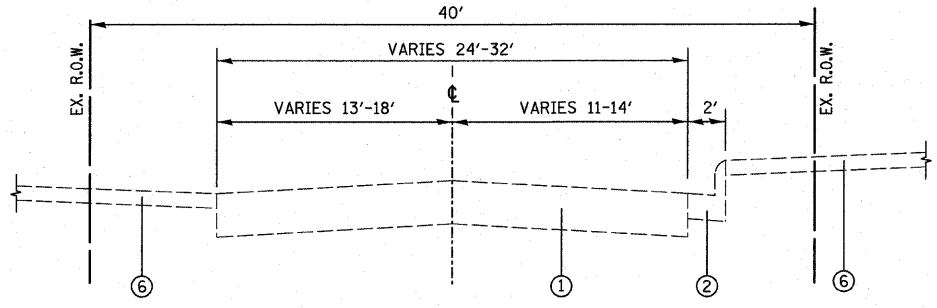
EXISTING KUNZ STREET
STA. 56+61.98 TO STA. 57+40.27



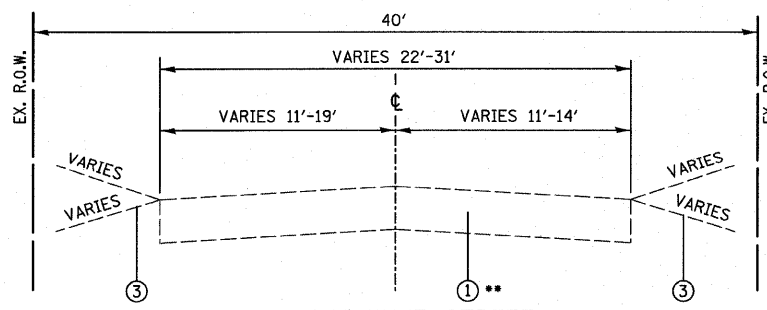
EXISTING KUNZ STREET
STA. 61+37.83 TO STA. 61+61.44



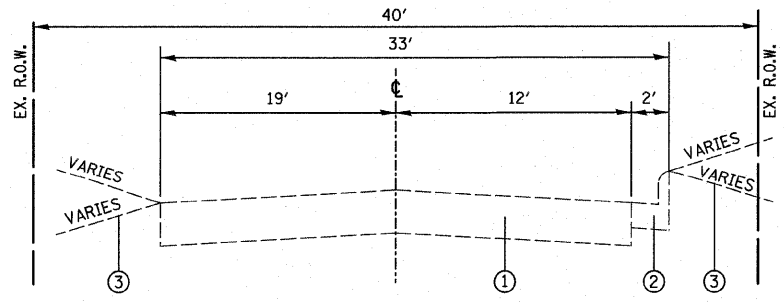
EXISTING KUNZ STREET
STA. 53+93.81 TO STA. 55+52.41
•NOTE: FROM 53+93.81 TO 54+11.30 ASPHALT OVERLAY



EXISTING KUNZ STREET
STA. 60+31.49 TO STA. 61+37.83



EXISTING KUNZ STREET
STA. 50+70.45 TO STA. 53+32.01
(BOTTOM AVE. OMISSION STA. 53+32.01 TO STA. 53+93.81)
STA. 55+52.41 TO STA. 56+61.98
••NOTE: FROM 52+72.08 TO 53+32.01 ASPHALT OVERLAY



EXISTING KUNZ STREET
STA. 59+24.00 TO STA. 60+31.49

- ① EXISTING OIL & CHIP ROADWAY
- ② EXISTING COMBINATION CONCRETE CURB & GUTTER
- ③ EXISTING EARTH AREA
- ④ EXISTING CONCRETE SIDEWALK
- ⑤ EXISTING AGGREGATE SURFACE
- ⑥ EXISTING ASPHALT PARKING
- ⑦ EXISTING CONCRETE ROADWAY
- ⑧ EXISTING CONCRETE PARKING
- ⑨ EXISTING ASPHALT ROADWAY
- ⑩ PROPOSED GRASS AREA WITH TOPSOIL EXCAVATION AND PLACEMENT
- ⑪ PROPOSED PORTLAND CEMENT CONCRETE SIDEWALK, 4"
- ⑫ PROPOSED COMBINATION CONCRETE CURB & GUTTER, TYPE B-6.18
- ⑬ PROPOSED PCC PAVEMENT, 7"
 - a. SEE HIGHWAY STANDARD BLR 10 FOR:
 - PAVEMENT JOINT LAYOUT DETAILS.
 - TRANSVERSE JOINT DETAILS.
 - EXPANSION JOINT DETAILS.
 - b. SEE HIGHWAY STANDARD 420001 FOR:
 - LONGITUDINAL JOINT DETAILS.
 - c. SEE HIGHWAY STANDARD 606001 FOR:
 - PORTLAND CEMENT CONCRETE SHALL HAVE TYPE A FINISH.
- ⑭ PROPOSED SUB-BASE GRANULAR MATERIAL, 12"

PLOT DATE = 4/21/2010
 FILE NAME = H:\V\9902\Microstation\506\9902.dgn
 USER = jk
 USER NAME = jk