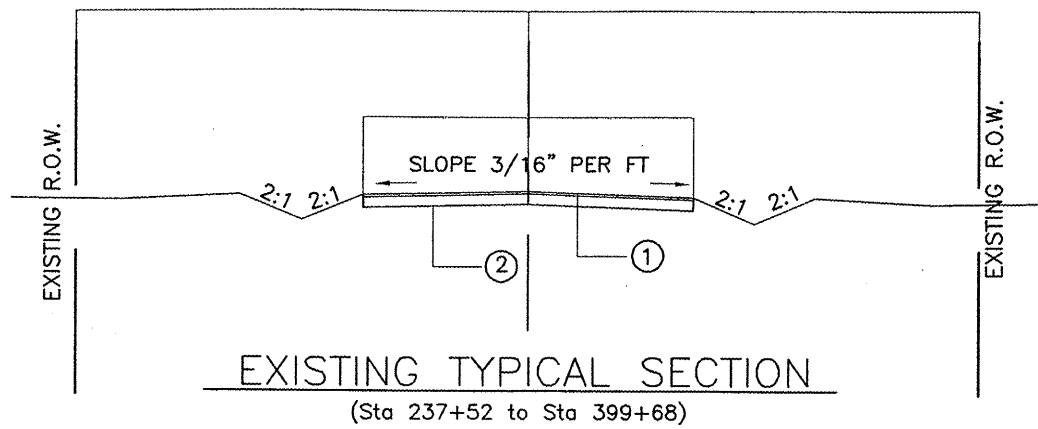
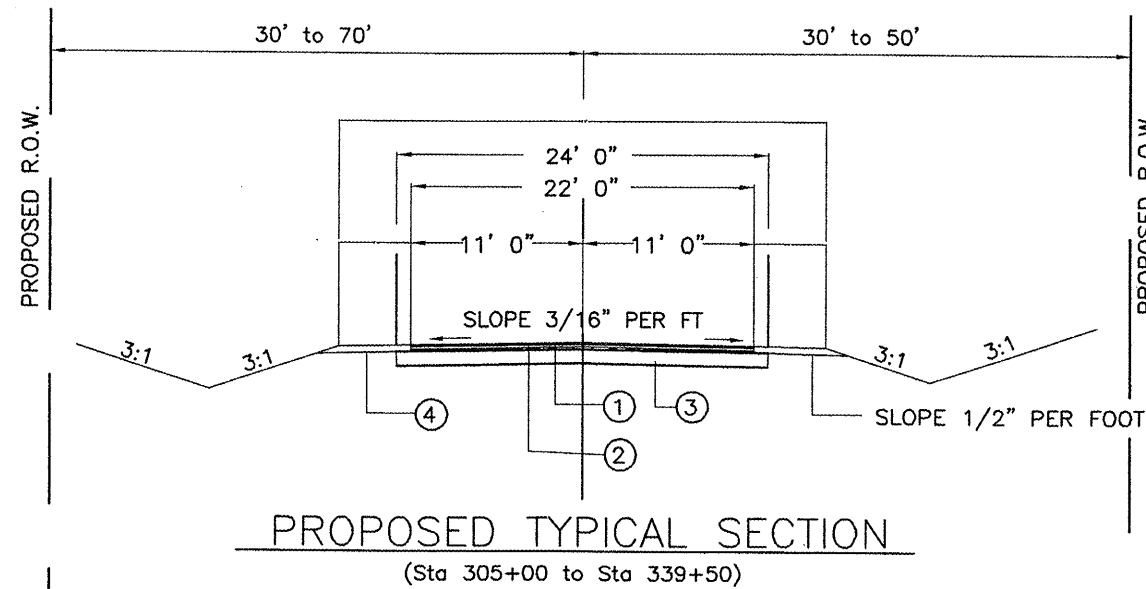


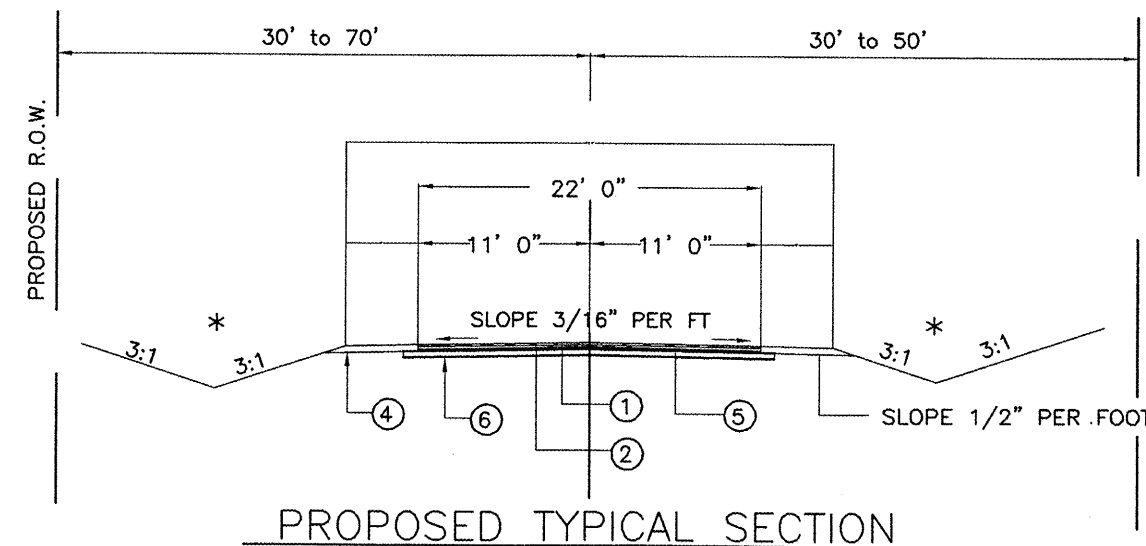
ROUTE	COUNTY	SECTION	SHEET/OF
FAS 1834	RANDOLPH	06-00075-00-RS	3/101
CONTRACT NO. 97445			



- ① BITUMINOUS PLANT MIX (2")
- ② AGGREGATE BASE COURSE (8")



- ① HOT-MIX ASPHALT SURFACE COURSE, MIX "C", N70 (1 1/2")
- ② HOT-MIX ASPHALT BINDER COURSE, IL-19.0, N70 (2 - 2" LIFTS)
- ③ AGGREGATE BASE COURSE, TYPE A - 12"
- ④ AGGREGATE SHOULDERS, TYPE A (6")



* 2' FLAT BOTTOM DITCHES
STA. 237+52 TO STA. 290+50 LT. & RT.

- ① HOT-MIX ASPHALT SURFACE COURSE, MIX "C", N70 (1 1/2")
- ② HOT-MIX ASPHALT BINDER COURSE, IL-19.0, N70 (2 - 2" LIFTS)
- ④ AGGREGATE SHOULDERS, TYPE A (6")
- ⑤ 8" PCC PVT. STA. 237+52.10 TO STA. 238+63.60
- ⑥ AGGREGATE BASE COURSE, TYPE A (4") STA. 237+52.10 TO STA. 238+63.60