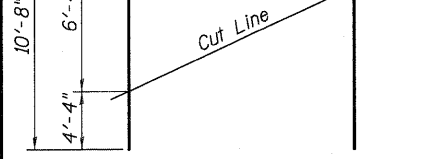
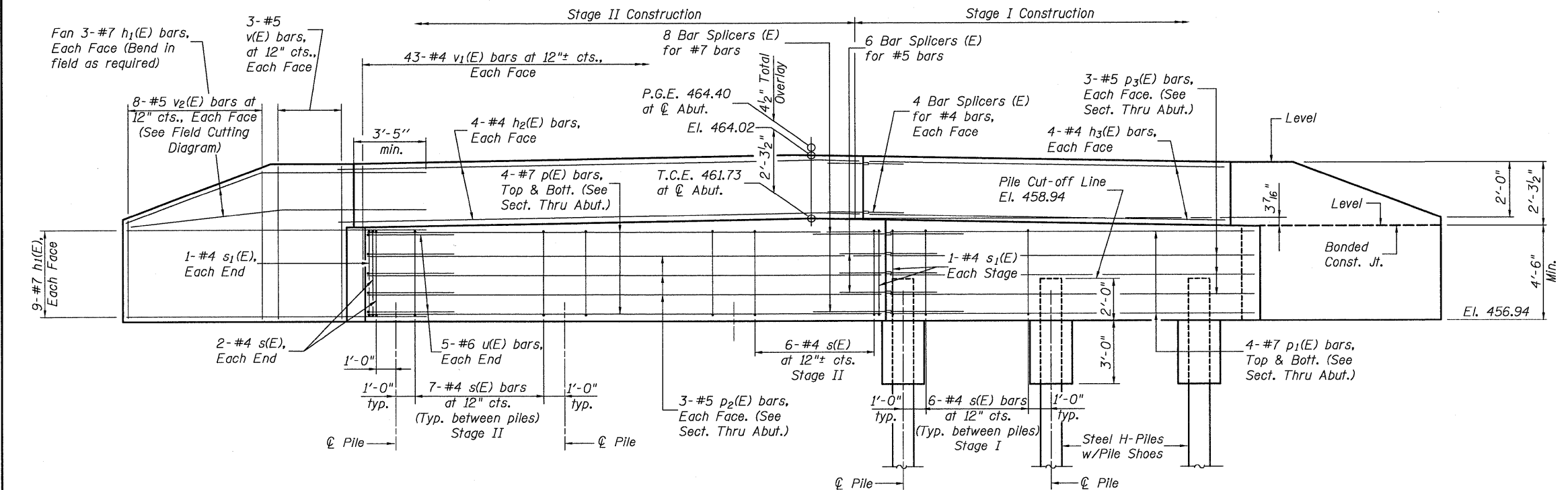


PLAN



FIELD CUTTING DIAGRAM

Order v₂(E) full length. Cut as shown and use remainder of bars in opposite face.



ELEVATION
(Looking South)

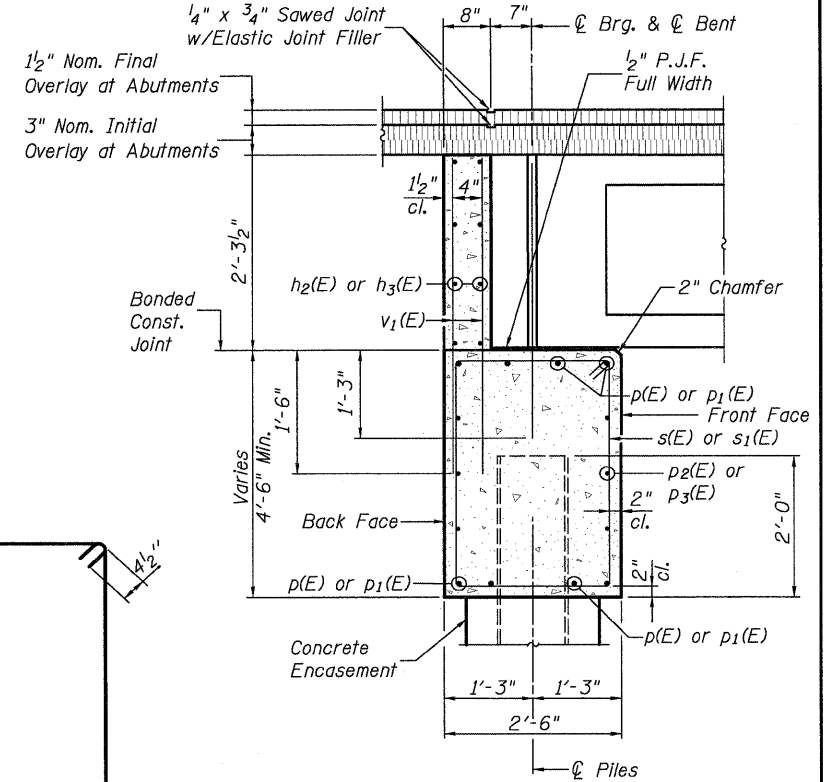
PILE DATA

S. ABUT.

Type:	Steel HP 12x53 w/Pile Shoes
Nominal Required Bearing:	419 k
Factored Resistance Available:	209 k
Est. Length:	27 ft.±
No. Production Piles:	5
No. Test Piles:	1

NOTES

- The Backwall and the portion of the Wingwalls above the bonded construction joint shall be cast against the in-place beam.
- Space reinforcement in pile cap to miss dowel rods.
- Top of concrete cap and backwall shall be finished parallel to the centerline of the roadway.



SECTION THRU ABUTMENT
(at Right Angles)

BILL OF MATERIAL

Bar	No.	Size	Length	Shape
h ₁ (E)	48	#7	14'-5"	—
h ₂ (E)	8	#4	24'-4"	—
h ₃ (E)	8	#4	17'-5"	—
p(E)	8	#7	24'-4"	—
p ₁ (E)	8	#7	17'-5"	—
p ₂ (E)	6	#5	24'-4"	—
p ₃ (E)	6	#5	17'-5"	—
s(E)	36	#4	13'-5"	□
s ₁ (E)	4	#4	14'-1"	□
u(E)	10	#6	10'-4"	▤
v(E)	12	#5	6'-4"	—
v ₁ (E)	86	#4	3'-8"	—
v ₂ (E)	16	#5	10'-8"	—
Concrete Structures			Cu. Yd.	25.3
Concrete Encasement			Cu. Yd.	2.1
Reinforcement Bars, Epoxy Coated			Pound	3,570
Furnishing Steel Piles HP 12x53			Foot	135
Driving Piles			Foot	135
Test Pile Steel HP 12x53			Each	1
Pile Shoes			Each	6

For Details of Bar Splicers, see sheet 13 of 14.
For Details of Piles and Concrete Encasement, see sheet 12 of 14.

PILE BENT SOUTH ABUTMENT

DESIGNED	K.M.M.
CHECKED	L.D.G.
DRAWN	K.H.L.
CHECKED	B.G.H.

SHEET NO. 10	F.A.S.	SECTION	COUNTY	TOTAL SHEETS	SHEET NO.
	783	02-00074-00-BR	BOND	25	17
14 SHEETS	S.N. 003-3050		CONTRACT NO. 97446		
	FED. ROAD DIST. NO.	ILLINOIS	FED. AID PROJECT		