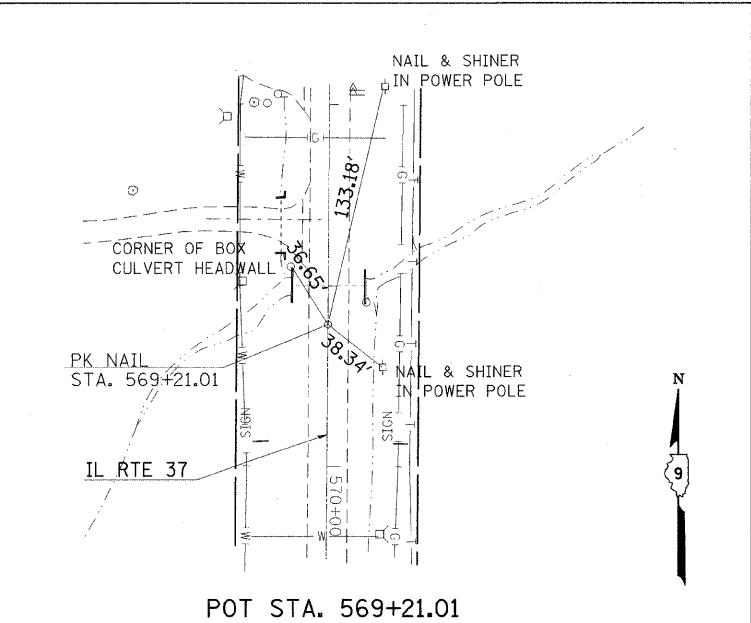
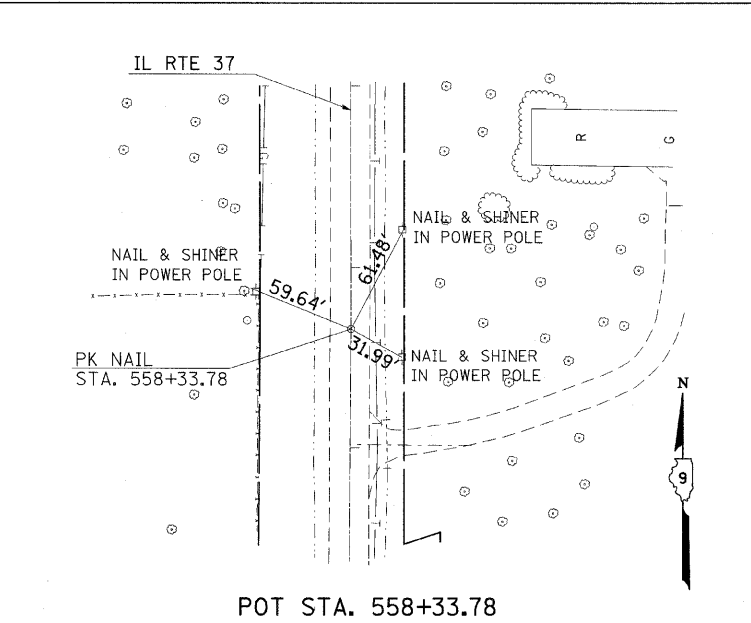
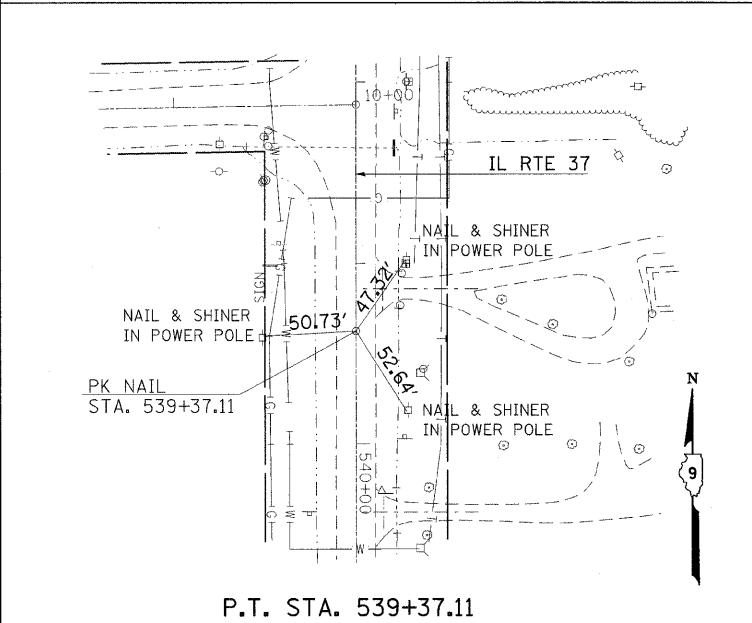
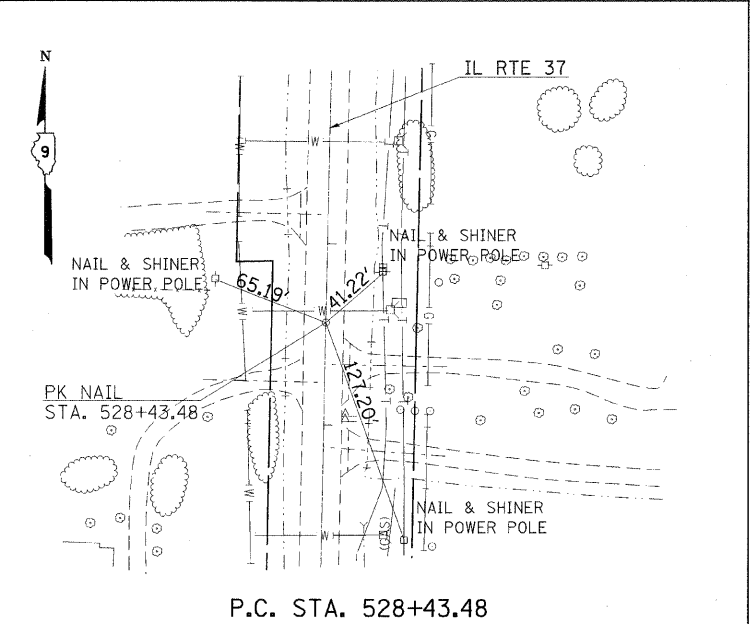
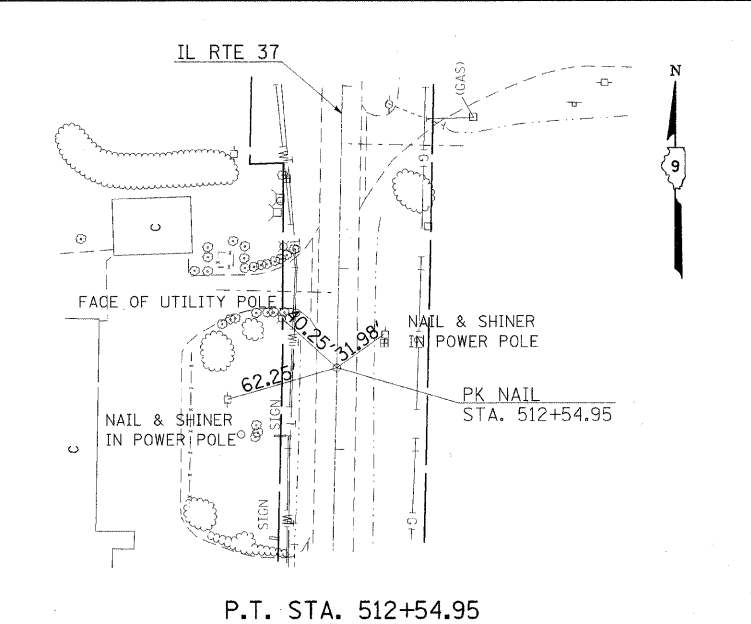
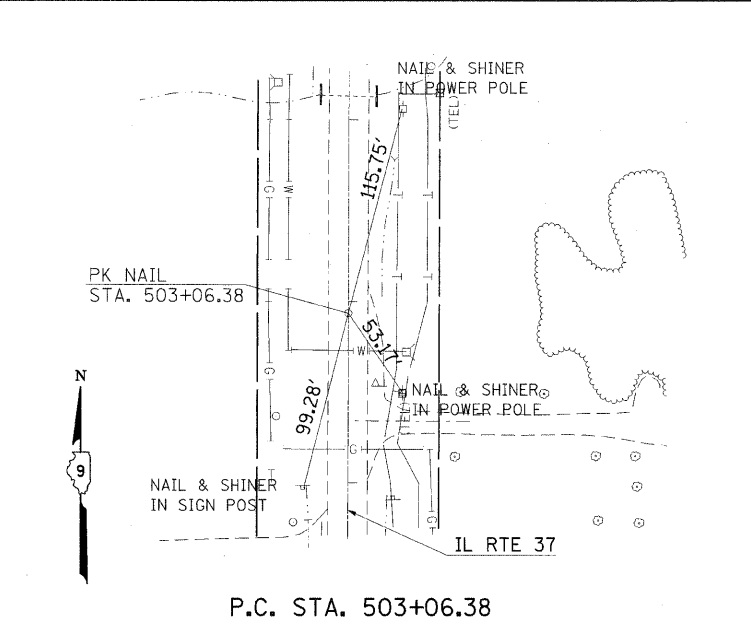
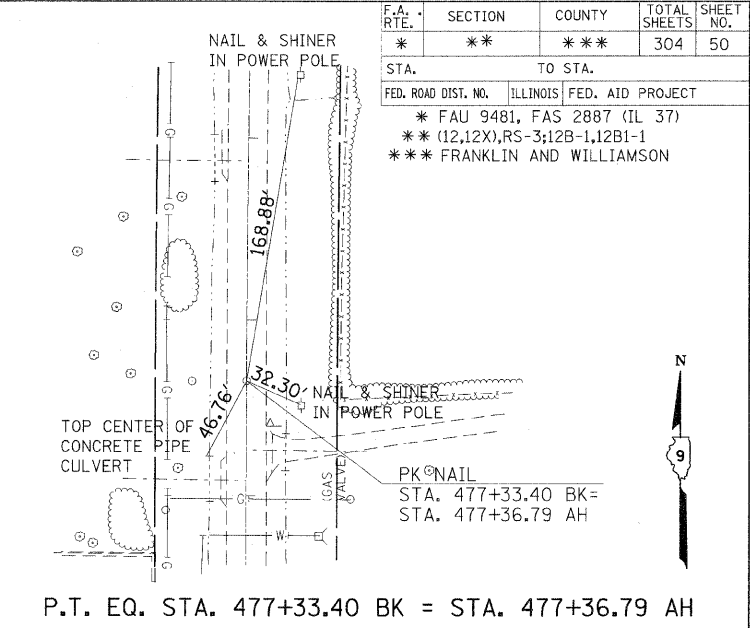
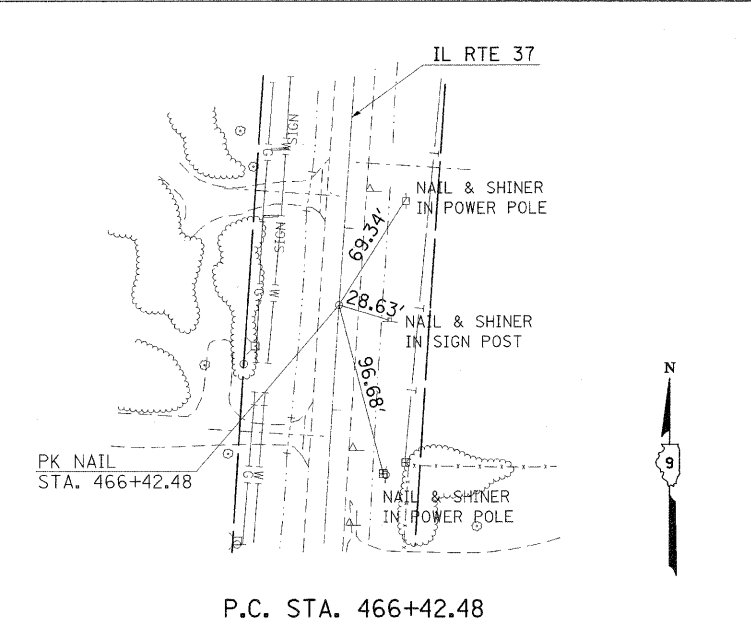
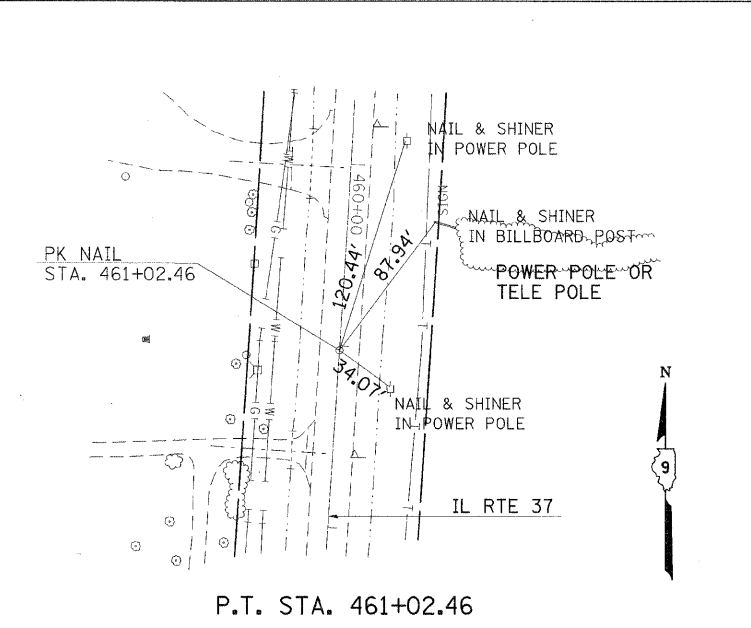
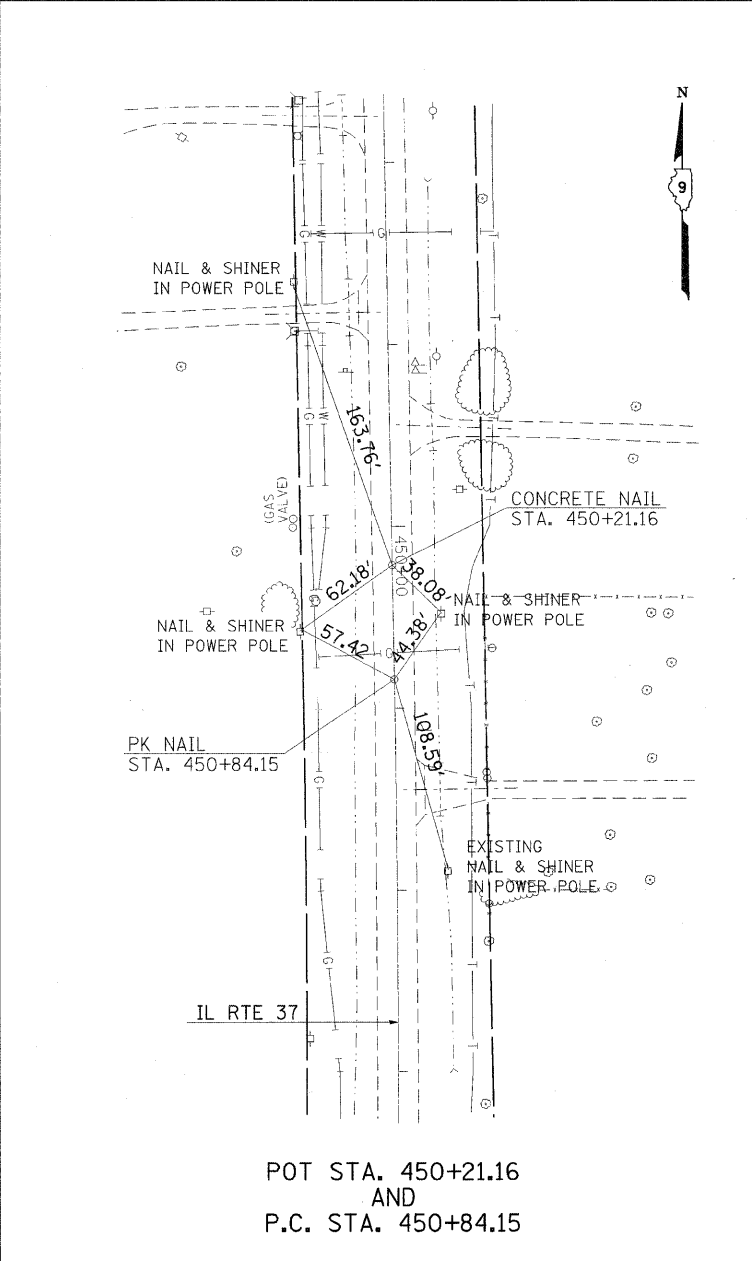


F.A. RTE.	SECTION	COUNTY	TOTAL SHEETS	SHEET NO.
*	**	***	304	50
STA. TO STA.				
FED. ROAD DIST. NO. ILLINOIS FED. AID PROJECT				
* FAU 9481, FAS 2887 (IL 37)				
** (12,12X),RS-3;12B-1,12B1-1				
*** FRANKLIN AND WILLIAMSON				



SHEET 2 OF 2

ILLINOIS DEPARTMENT OF TRANSPORTATION  
**TIE POINTS**

REVISIONS		DATE
NAME		

SCALE: VERT. NONE  
HORIZ. DATE

DRAWN BY CNH  
CHECKED BY

PLOT DATE = 12/7/2009  
FILE NAME = c:\p\...  
PLOT SCALE = 5/8"=1'-0"  
USER NAME =