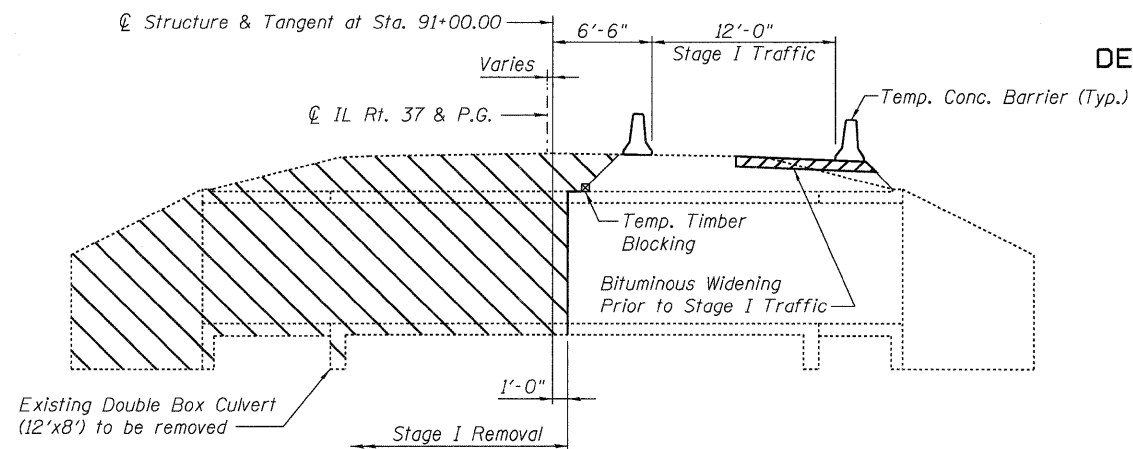
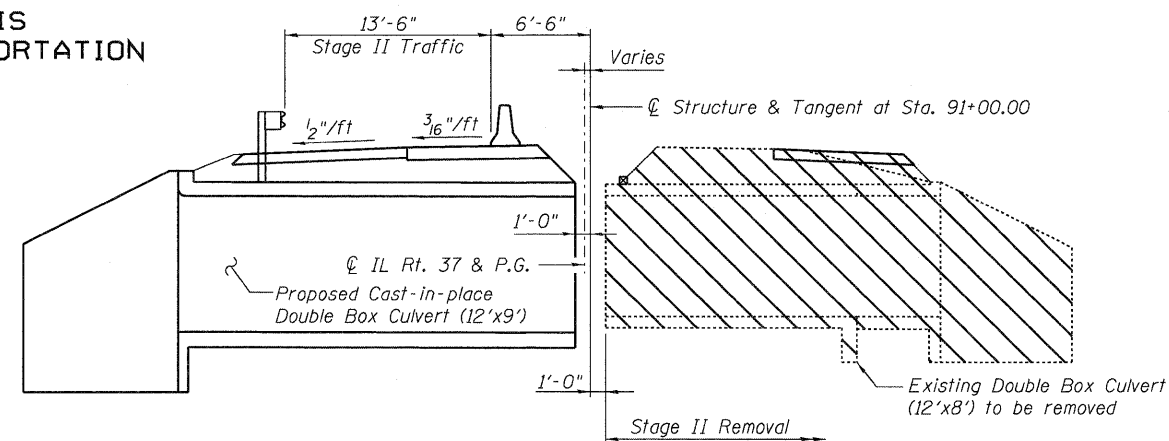


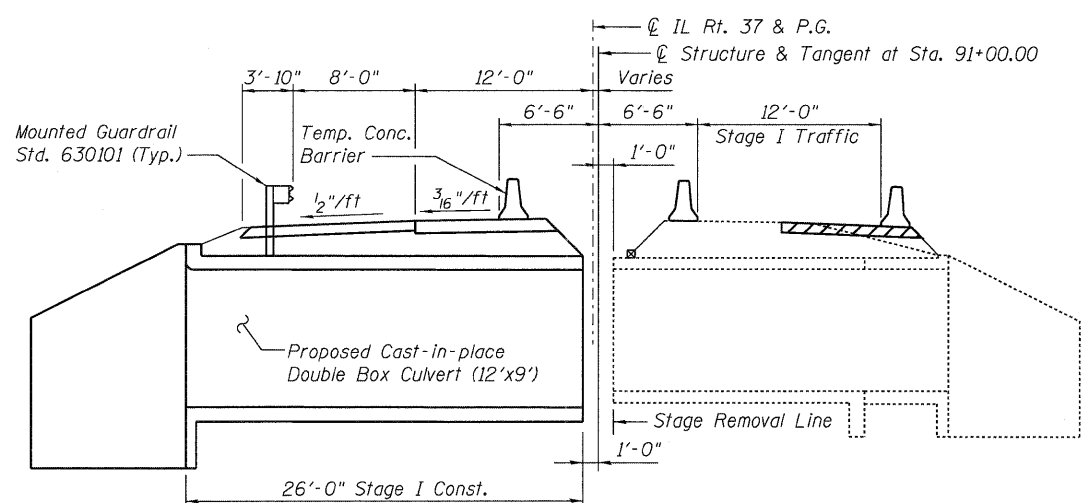
STATE OF ILLINOIS  
DEPARTMENT OF TRANSPORTATION



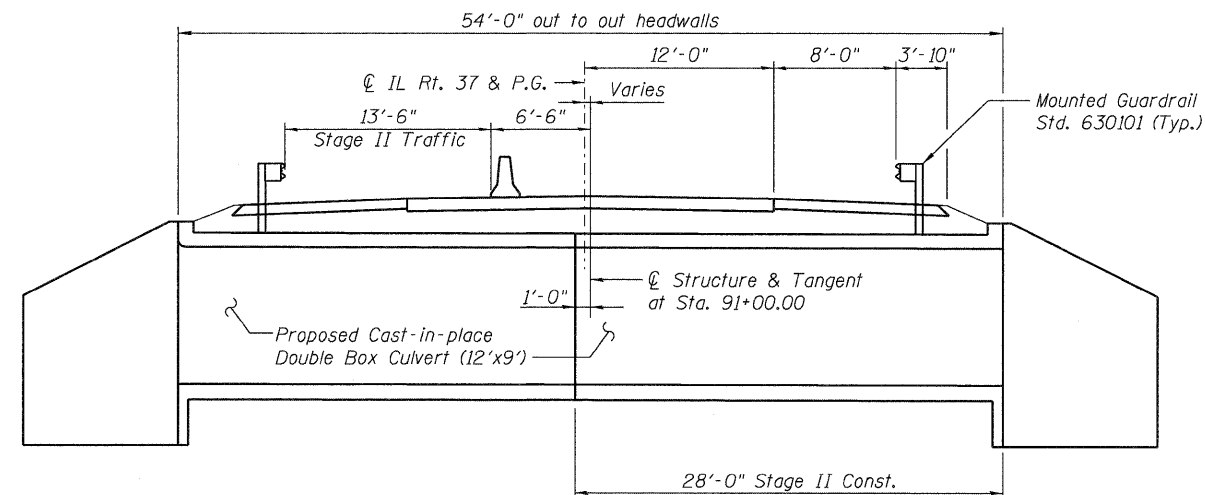
**STAGE I REMOVAL**  
(Looking upstation)



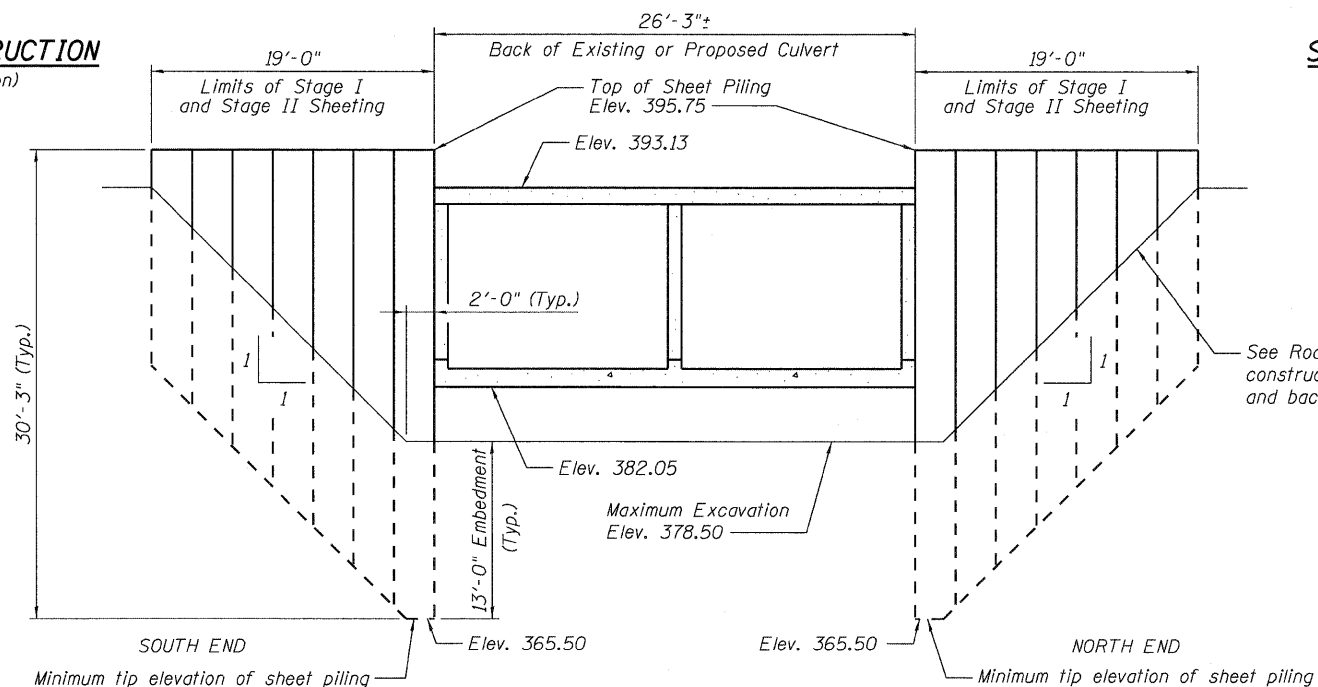
**STAGE II REMOVAL**  
(Looking upstation)



**STAGE I CONSTRUCTION**  
(Looking upstation)



**STAGE II CONSTRUCTION**  
(Looking upstation)



**TEMPORARY SHEET PILING DETAILS**

Notes:  
For details of Temporary Concrete Barrier see Sheet No. 4 of 8.  
For quantity of Temporary Concrete Barrier see Roadway Plans.  
Hatched areas indicate areas of removal to be paid for as Removal of Existing Structures No. 2.

**BILL OF MATERIAL**

Item	Unit	Total
Temporary Sheet Piling	Sq. Ft.	1,721

**STAGE CONSTRUCTION DETAILS**  
**SN 028-2017**

DESIGNED	AMS
CHECKED	JMH
DRAWN	AEC
CHECKED	JMH



09/25/09

Notes:  
Minimum Section Modulus of temporary sheet piling shall be 29.3 in<sup>3</sup> per foot of wall.  
If the Contractor chooses to alter the temporary cantilevered sheet piling design requirements shown on the plans, a design submittal including plan details and calculations will be required for review and acceptance by the Engineer.

SHEET NO. 3 8 SHEETS	F.A.U. RTE.	SECTION	COUNTY	TOTAL SHEETS	SHEET NO.
	9481	12B-1	FRANKLIN	304	121
	SN 028-2017			CONTRACT NO. 98823	
FED. ROAD DIST. NO. 7 ILLINOIS FED. AID PROJECT					