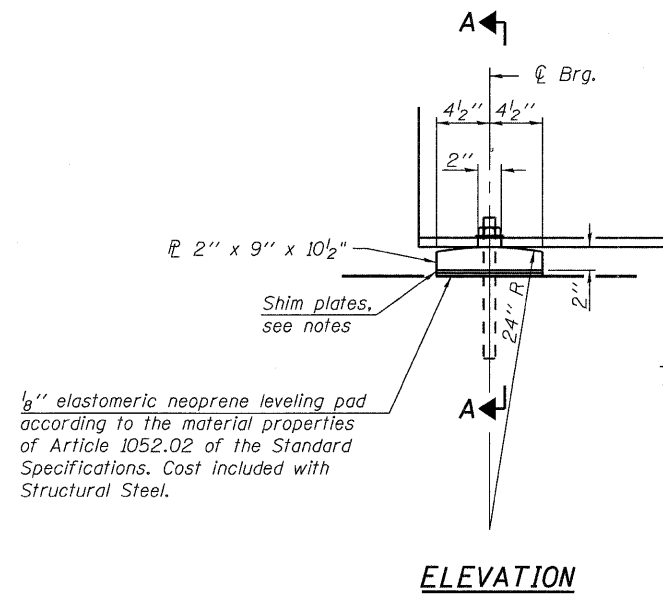


STATE OF ILLINOIS  
DEPARTMENT OF TRANSPORTATION

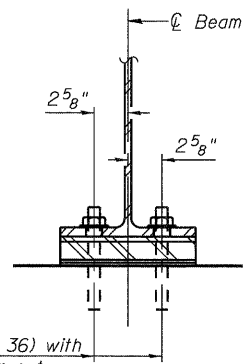


**ELEVATION**

1/8" elastomeric neoprene leveling pad according to the material properties of Article 1052.02 of the Standard Specifications. Cost included with Structural Steel.

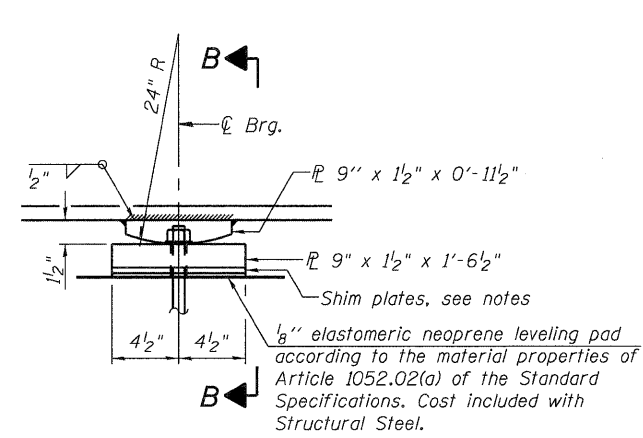
Shim plates, see notes

1"  $\phi$  x 12" anchor bolts (Grade 36) with 2 1/4" x 2 1/4" x 5/16" PL washer under nut. 1 3/8" x 2" slotted hole in flange. 1 1/2"  $\phi$  holes in bearing plate.



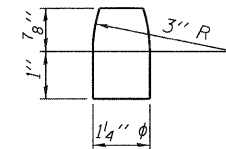
**SECTION A-A**

**FIXED BEARING AT ABUTMENT**  
(14 Required)

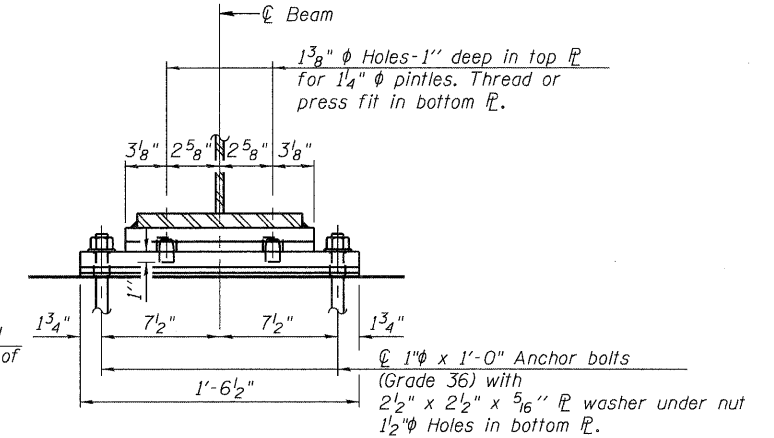


**ELEVATION AT PIER**

**FIXED BEARING AT PIER**  
(14 Required)



**PINTLE**  
(28 Required)



**SECTION B-B**

1 3/8"  $\phi$  Holes-1" deep in top PL for 1 1/4"  $\phi$  pintles. Thread or press fit in bottom PL.

1"  $\phi$  x 1'-0" Anchor bolts (Grade 36) with 2 1/2" x 2 1/2" x 5/16" PL washer under nut. 1 1/2"  $\phi$  Holes in bottom PL.

**Notes:**

Bearing plates and pintles shall be AASHTO M270 Grade 50.

Anchor bolts shall be ASTM F1554 all-thread (or an Engineer-approved alternate material) of the grade(s) and diameter(s) specified, ASTM A307 Grade C anchor bolts may be used in lieu of ASTM F1554 Grade 36 (Fy=36ksi). The corresponding specified grade of AASHTO M314 anchor bolts may be used in lieu of ASTM F1554.

Anchor bolts at fixed bearings may be either cast in place or installed in holes drilled after the supported member is in place.

Drilled and set anchor bolts shall be installed according to Article 521.06 of the Standard Specifications.

Two 1/8 in. adjusting shims shall be provided for each bearing in addition to all other plates or shims and placed as shown on bearing details.

The anchor bolt sizes and grades shown constitute a structural fuse.

Substitution of higher anchor bolt diameters and/or grades will not be allowed.

**BILL OF MATERIAL**

Item	Unit	Total
Anchor Bolts, 1"	Each	56

DESIGNED	RLM
CHECKED	AMS
DRAWN	PRC
CHECKED	RLM

09/25/09



**BEARING DETAILS**  
**SN 028-0078**

SHEET NO.	F.A.U. RTE.	SECTION	COUNTY	TOTAL SHEETS	SHEET NO.
29 SHEETS	9481	12B1-1	FRANKLIN	304	144
SN 028-0078			CONTRACT NO. 98823		
FED. ROAD DIST. NO. 7 ILLINOIS FED. AID PROJECT					