

F.A. RTE.	SECTION	COUNTY	TOTAL SHEETS	SHEET NO.
*	**	***	304	157
STA.		TO STA.		
FED. ROAD DIST. NO. -		ILLINOIS	FED. AID PROJECT	

DETAIL OF PRECAST CONCRETE BOX CULVERT SECTION

(WITH COVER 2 FEET OR GREATER -
AASHTO DESIGNATION M259)
DESIGN LOADING: HS-20-44

GENERAL NOTES

SHOP PLANS FOR THE REINFORCEMENT SHALL BE SUBMITTED IN ACCORDANCE WITH THE REQUIREMENTS OF ARTICLE 504.04 OF THE STANDARD SPECIFICATIONS.

MINIMUM CONCRETE STRENGTH SHALL BE 5000 PSI AFTER 28 DAYS.

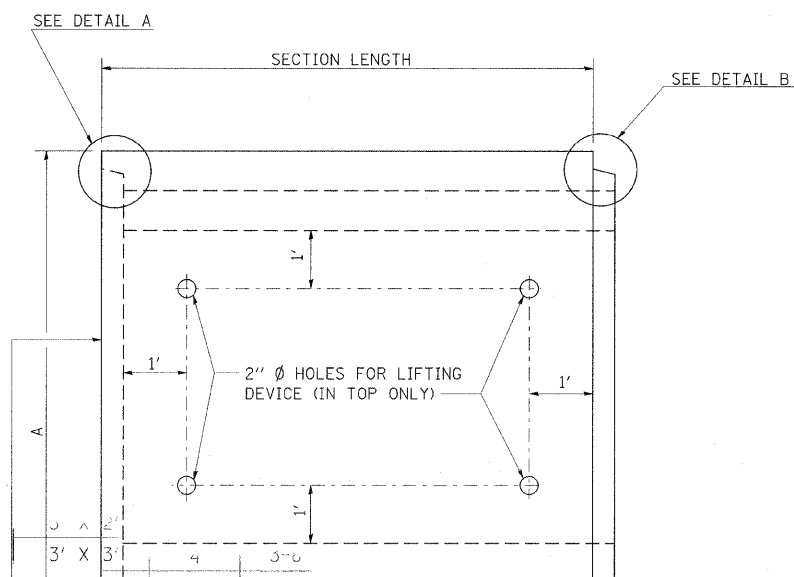
THE JOINTS OF THE PRECAST BOX SECTIONS SHALL BE SEALED WITH MASTIC IN ACCORDANCE WITH ARTICLE 1055.01 OF THE STANDARD SPECIFICATIONS FOR ROAD AND BRIDGE CONSTRUCTION.

LIFTING HOLES SHALL BE FILLED WITH CONCRETE PLUGS AND MASTIC AFTER THE BOX SECTIONS ARE IN PLACE.

THE TERMS AS1, AS2, & AS3 DENOTE THE REQUIRED STEEL AREAS FOR REINFORCEMENT AS SPECIFIED IN AASHTO M259. REINFORCEMENT SHALL BE WELDED WIRE FABRIC CONFORMING TO AASHTO M55-81.

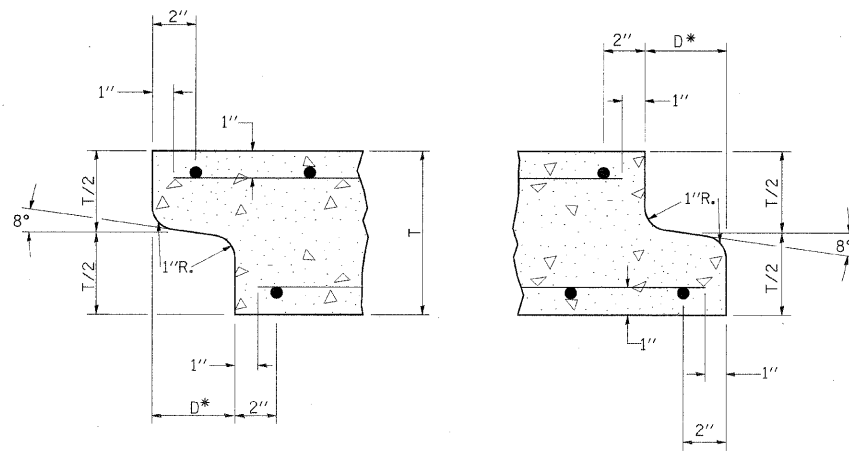
DRAINAGE OPENINGS SHALL BE PROVIDED IN ACCORDANCE WITH ARTICLE 503.11 OF THE STANDARD SPECIFICATIONS. LOCATION AND SPACING OF THE OPENINGS SHALL BE SHOWN ON THE SHOP DRAWINGS.

* FAU 9481, FAS 2887 (IL 37)
** (12,12X),RS-3;12B-1,12B1-1
*** FRANKLIN AND WILLIAMSON



PLAN

LOCATION OF LIFTING HOLES MAY BE VARIED AS NEEDED TO CLEAR REINFORCEMENT.

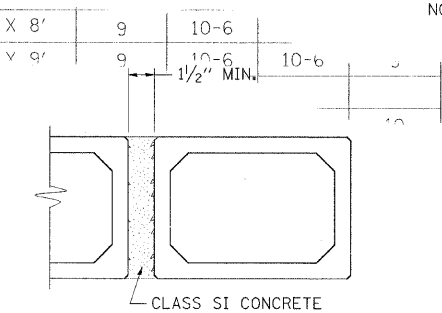


DETAIL A
(TYP. INLET END)

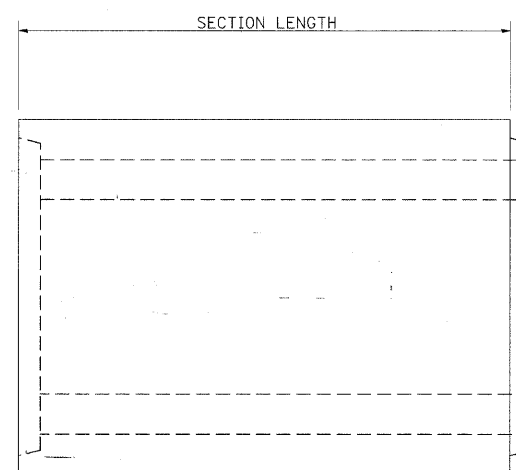
DETAIL B
(TYP. OUTLET END)

NOTE: INLET AND OUTLET ENDS SHALL BE COMPATIBLE.
* THE D DIMENSION SHALL CONFORM TO THE MANUFACTURER'S STANDARDS.

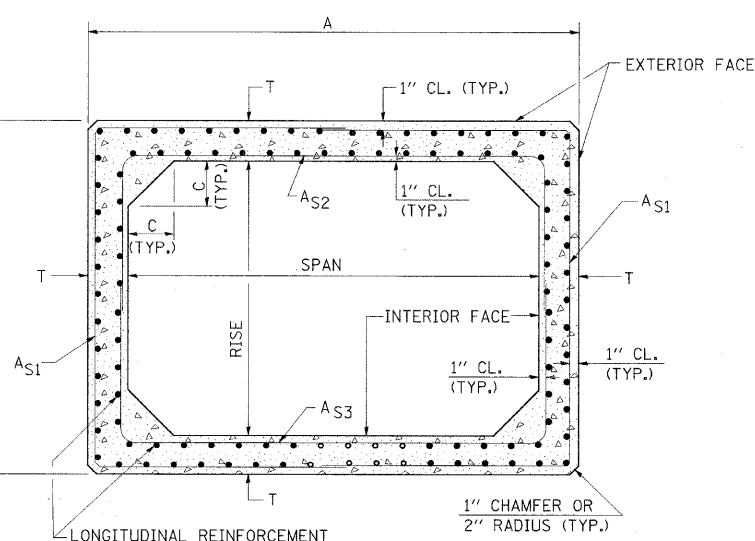
WHEN EXTENDING AN EXISTING BOX, PLACE THIS END AGAINST THE EXISTING HEADWALL



MULTIPLE UNIT PLACEMENT



ELEVATION



CROSS SECTION

DIMENSIONS

SPAN X RISE	T (INCHES)	A (FT.-IN.)	B (FT.-IN.)	C (INCHES)
2' X 2'	4	2-8	2-8	4
3' X 2'	4	3-8	2-8	4
3' X 3'	4	3-8	3-8	4
4' X 2'	5	4-10	2-10	5
4' X 3'	5	4-10	3-10	5
4' X 4'	5	4-10	4-10	5
5' X 2'	6	6-0	3-0	6
5' X 3'	6	6-0	4-0	6
5' X 4'	6	6-0	5-0	6
5' X 5'	6	6-0	6-0	6
6' X 2'	7	7-2	3-2	7
6' X 3'	7	7-2	4-2	7
6' X 4'	7	7-2	5-2	7
6' X 5'	7	7-2	6-2	7
6' X 6'	7	7-2	7-2	7
7' X 4'	8	8-4	5-4	8
7' X 5'	8	8-4	6-4	8
7' X 6'	8	8-4	7-4	8
7' X 7'	8	8-4	8-4	8
8' X 4'	8	9-4	5-4	8
8' X 5'	8	9-4	6-4	8
8' X 6'	8	9-4	7-4	8
8' X 7'	8	9-4	8-4	8
8' X 8'	8	9-4	9-4	8

SPAN X RISE	T (INCHES)	A (FT.-IN.)	B (FT.-IN.)	C (INCHES)
9' X 5'	9	10-6	6-6	9
9' X 6'	9	10-6	7-6	9
9' X 7'	9	10-6	8-6	9
9' X 8'	9	10-6	9-6	9
9' X 9'	9	10-6	10-6	9
10' X 5'	10	11-8	6-8	10
10' X 6'	10	11-8	7-8	10
10' X 7'	10	11-8	8-8	10
10' X 8'	10	11-8	9-8	10
10' X 9'	10	11-8	10-8	10
10' X 10'	10	11-8	11-8	10
11' X 4'	11	12-10	5-10	11
11' X 6'	11	12-10	7-10	11
11' X 8'	11	12-10	9-10	11
11' X 10'	11	12-10	11-10	11
11' X 11'	11	12-10	12-10	11
12' X 4'	12	14-0	6-0	12
12' X 6'	12	14-0	8-0	12
12' X 8'	12	14-0	10-0	12
12' X 10'	12	14-0	12-0	12
12' X 12'	12	14-0	14-0	12

REVISIONS	
NAME	DATE

ILLINOIS DEPARTMENT OF TRANSPORTATION
DETAIL:
PRECAST CONCRETE BOX CULVERT SECTION
(WITH COVER 2 FEET OR GRATER)

SCALE: VERT. NO SCALE
HORIZ. NO SCALE
DATE

DRAWN BY CNH
CHECKED BY

STD. 9-48

REVISIONS	
DATE	DESCRIPTION
9-7-89	DRAWN
3-27-90	REVISED
8-16-94	REVISED
01-10-07	REVISED
5-6-08	RESIZED