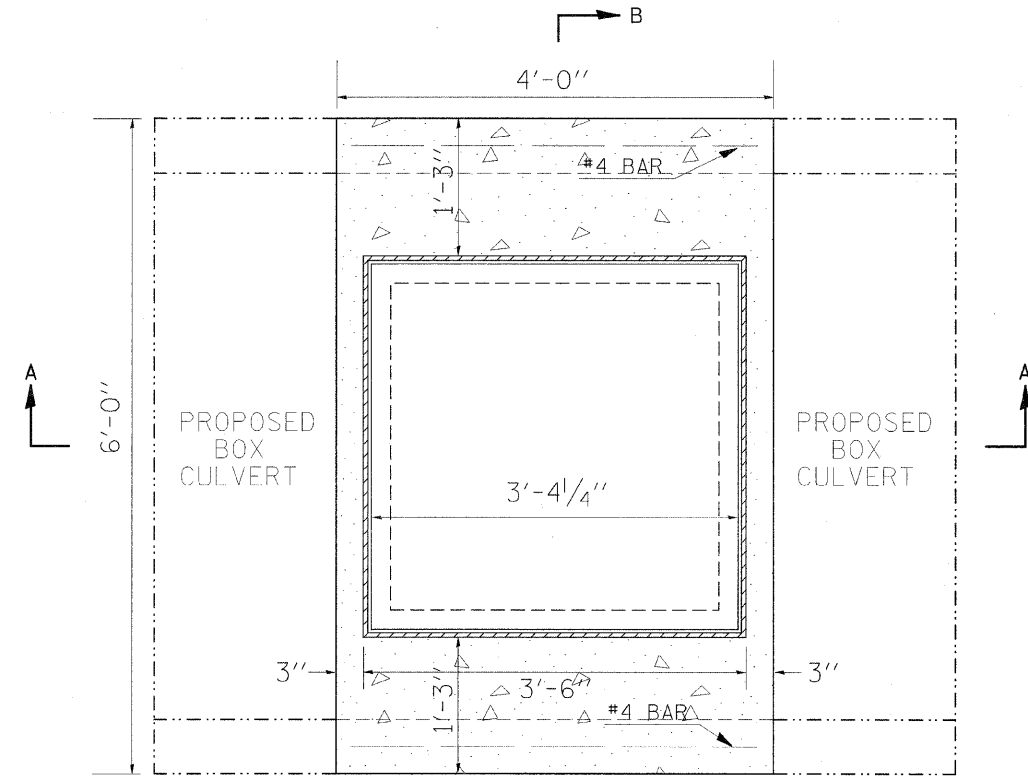


F.A. RTE	SECTION	COUNTY	TOTAL SHEETS	SHEET NO
*	**	***	304	159
STA.		TO STA.		
FED. ROAD DIST. NO.		ILLINOIS	FED. AID PROJECT	
* FAU 9481, FAS 2887 (IL 37)				
** (12.12X)RS-3;12B-1,12B1-1				
*** FRANKLIN AND WILLIAMSON				

## DETAIL OF INLET BOX SPECIAL WITH GRATE AND FRAME, TYPE 542546



### GENERAL NOTES

FOR DETAILS OF GRATING AND FRAME, SEE HWY STD. 542546

CLASS SI CONCRETE SHALL BE USED THROUGHOUT. EXPOSED CONCRETE EDGES SHALL BE BEVELED 3/4".

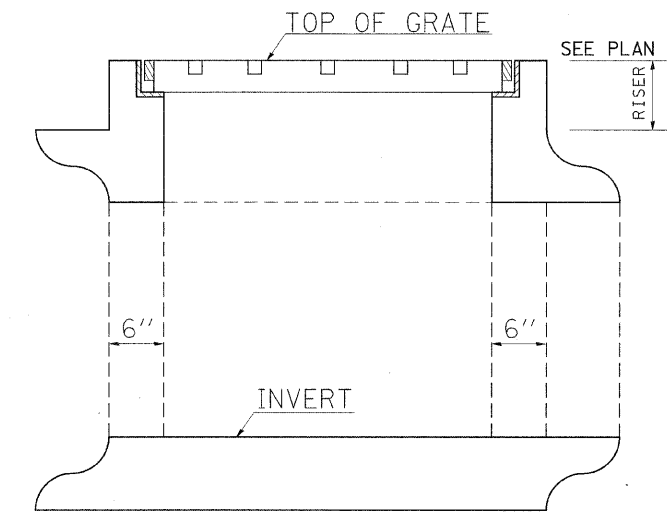
THE INLET BOX MAY BE PRECAST OR MAY BE CAST IN PLACE. IF PRECAST, SHOP PLANS SHALL BE SUBMITTED IN ACCORDANCE WITH THE REQUIREMENTS OF SECTION 504 OF THE STANDARD SPECIFICATIONS.

THIS WORK SHALL BE PAID FOR AT THE CONTRACT UNIT PRICE PER EACH FOR **FLUSH INLET BOX FOR MEDIAN, STANDARD 542546, SPECIAL** WHICH WILL INCLUDE THE COST FOR FRAME AND GRATE, TYPE 542546 AND FURNISHING ALL MATERIALS AND CONSTRUCTING THE WORK IN PLACE IN ACCORDANCE WITH THE DETAILS SHOWN HEREIN.

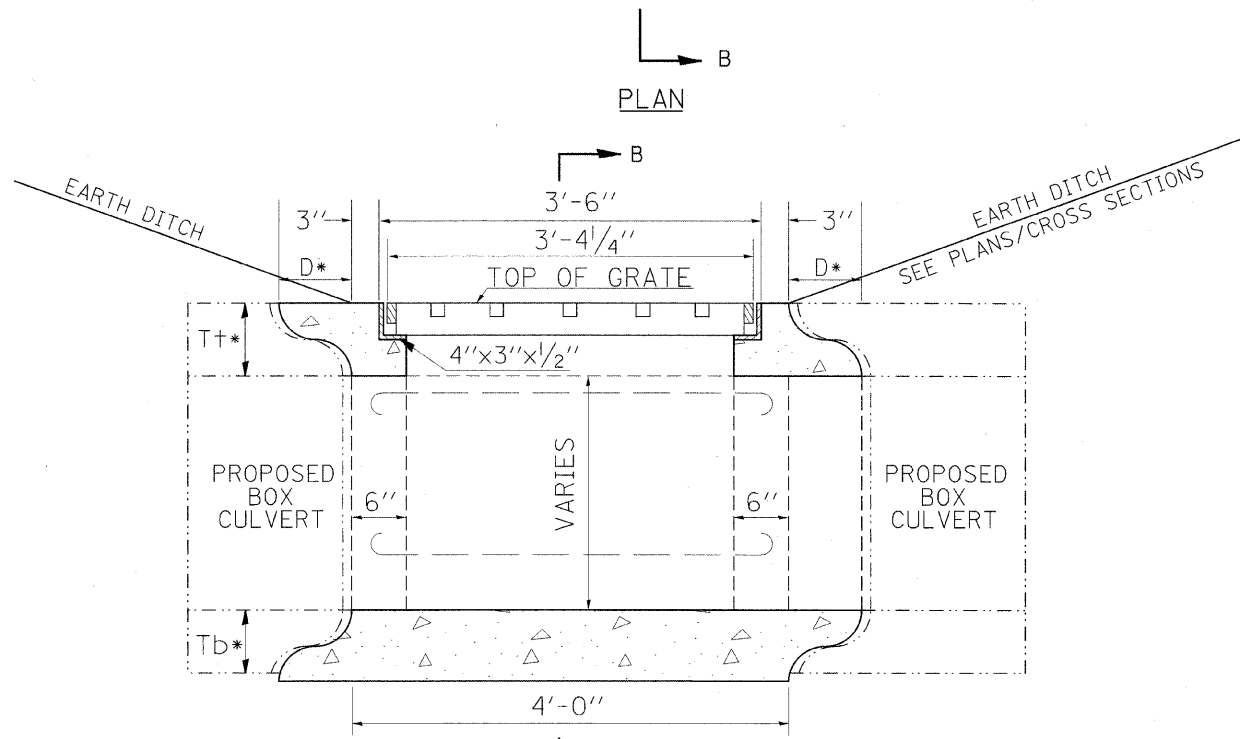
MINIMUM CONCRETE STRENGTH SHALL BE 5000 PSI AFTER 28 DAYS

THE SIDE AND TOP JOINTS BETWEEN THE PRECAST BOX SECTION AND THE INLET BOX SHALL BE SEALED WITH MASTIC IN ACCORDANCE WITH ARTICLE 1055.01 OF THE STANDARD SPECIFICATIONS

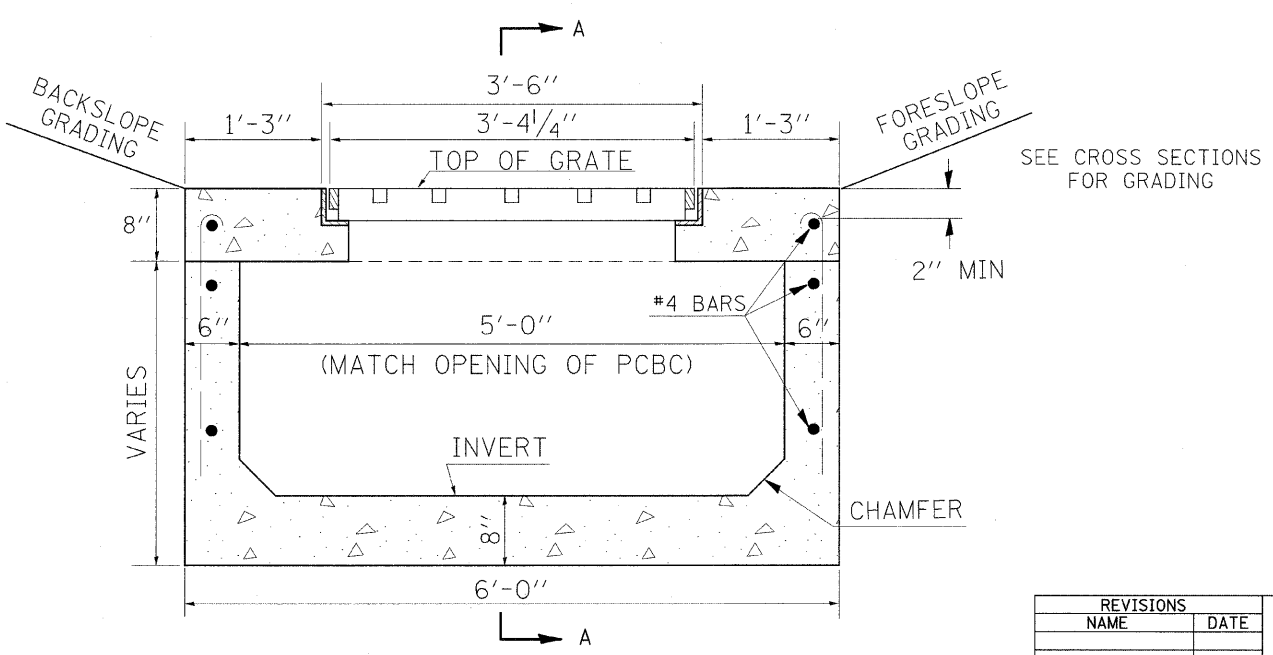
THE FLOW LINE CHAMFER OR RADIUS IS TO MATCH THE MANUFACTURERS STANDARDS OF THE PRECAST CONCRETE BOX CULVERT.



LT STA 377+81  
LT STA 381+33  
(SEE DETAIL BELOW FOR OTHER NOTES AND DIMENSIONS)



\* THE "D", "T+", AND "Tb" DIMENSIONS SHALL CONFORM TO THE MANUFACTURERS STANDARDS FOR THE PROPOSED PRECAST BOX CULVERT USED.



**TO BE USED AT:**  
LT STA 377+81 INLET IN TOP OF BOX SECTION  
LT STA 381+33 (SEE UPPER RIGHT FOR INLET RISER DETAIL)

REVISIONS	
NAME	DATE

ILLINOIS DEPARTMENT OF TRANSPORTATION

**DETAILS:**  
**INLET BOX SPECIAL WITH GRATE AND FRAME, TYPE 542546**

SCALE: VERT. NO SCALE  
HORIZ. NO SCALE

DATE: \_\_\_\_\_ DRAWN BY: \_\_\_\_\_  
CHECKED BY: \_\_\_\_\_

PLOT DATE = 12/7/2009  
 FILE NAME = c:\pva\work\1\1001\HEAD\1\542546\up94813p.dgn  
 USER = hnd  
 USER NAME = hnd