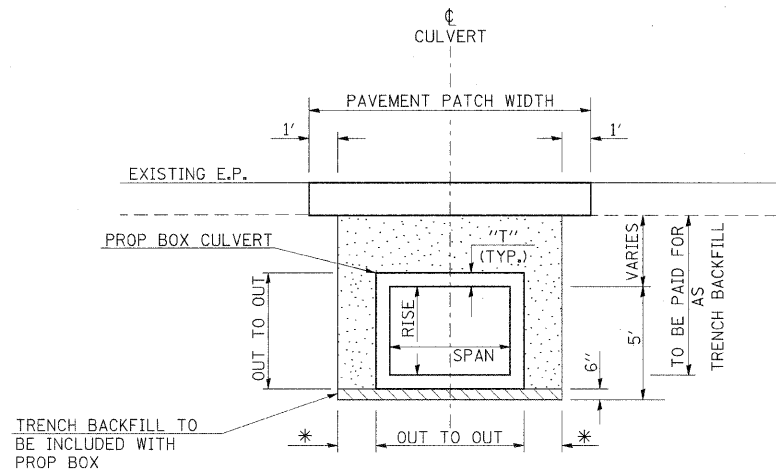
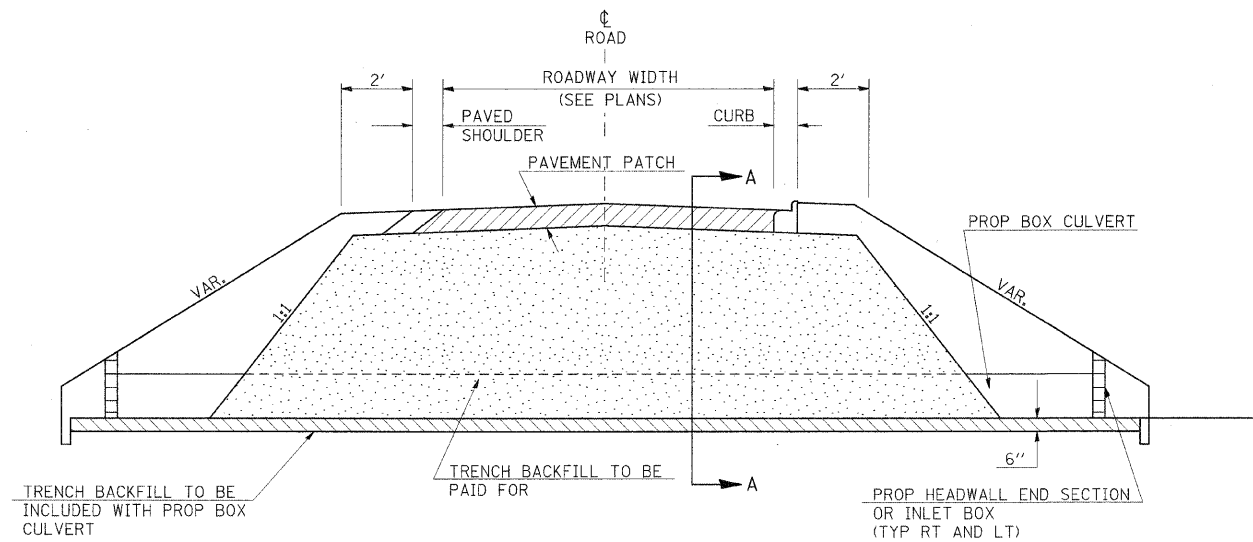


| F.A.P. RTE | SECTION | COUNTY | TOTAL SHEETS | SHEET NO |
|------------|---------|--------|--------------|----------|
| * | ** | *** | 304 | 164 |

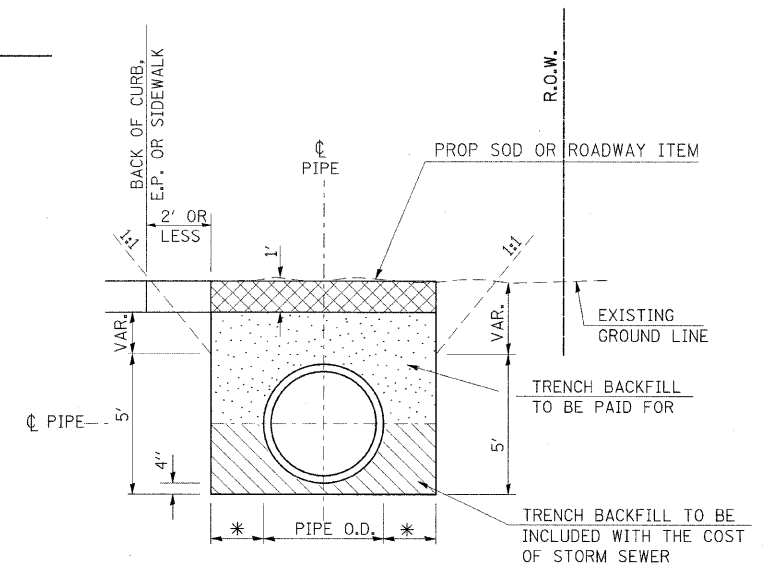
STA. TO STA.
 FED. ROAD DIST. NO. - ILLINOIS FED. AID PROJECT
 * FAU 9481, FAS 2887 (IL 37)
 ** (12,12X),RS-3;12B-1,12B1-1
 *** FRANKLIN AND WILLIAMSON



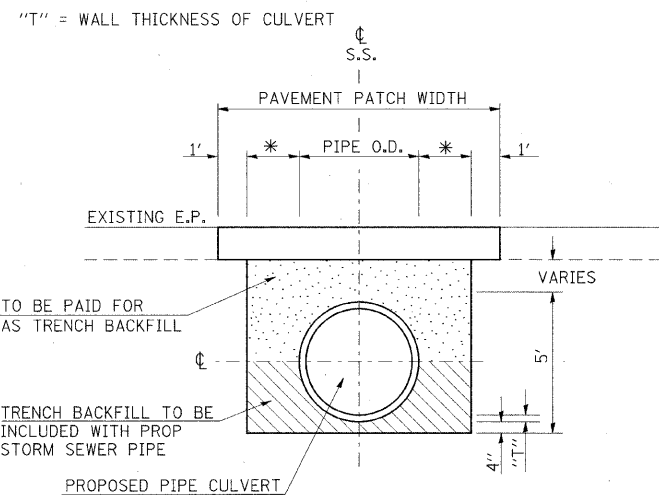
SECTION A-A: PROPOSED BOX CROSSING EXISTING ROAD
 TRENCH DEPTH GREATER THAN 5'
 SHORING REQUIRED



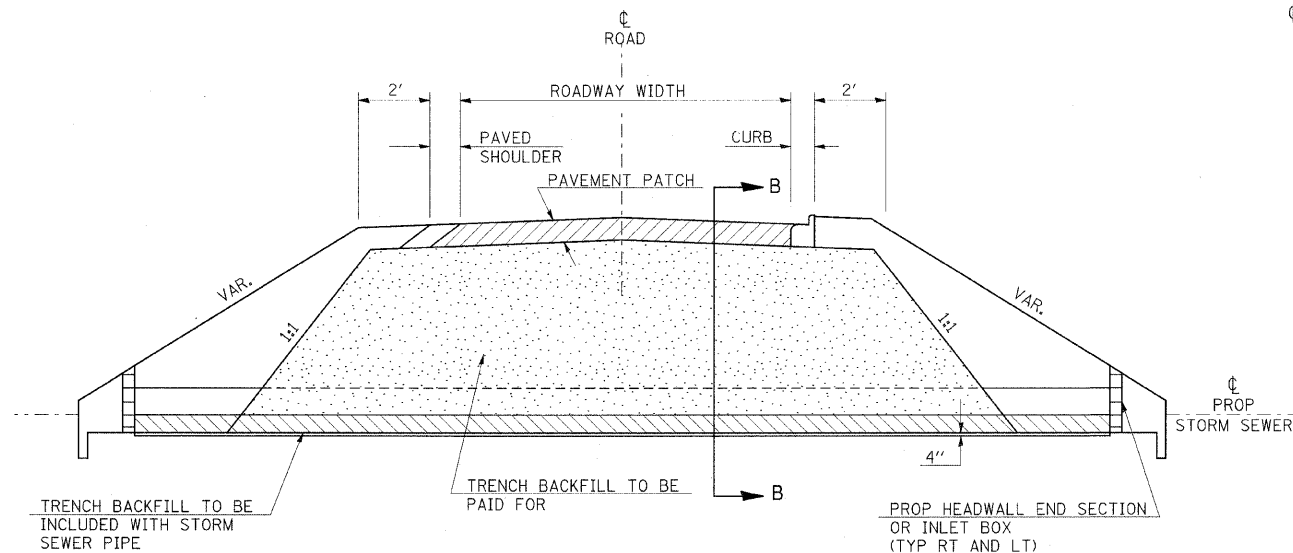
PROFILE SECTION THRU BOX CULVERT ACROSS ROADWAY



SECTION OF TRENCHES NEAR EDGE OF PAVEMENT



SECTION B-B: PROPOSED STORM SEWER CROSSES EXISTING ROAD
 TRENCH DEPTH GREATER THAN 5'
 SHORING REQUIRED



PROFILE SECTION THRU STORM SEWER ACROSS ROADWAY

NOTES:

THE CONSTRUCTION REQUIREMENTS OF THE TRENCHES FOR STORM SEWER SHALL BE IN ACCORDANCE WITH ARTICLE 550.04 AND 550.07 OF THE STANDARD SPECIFICATIONS.
 TRENCH BACKFILL WILL BE MEASURED AND PAID FOR AS SPECIFIED IN ARTICLES 208.03 AND 208.04 OF THE STANDARD SPECIFICATIONS.

* 9" + PIPE OD + 9" WHEN TRENCH DEPTH ≤ 5'.
 18" + PIPE OD + 18" WHEN TRENCH DEPTH > 5'.

| REVISIONS | | ILLINOIS DEPARTMENT OF TRANSPORTATION |
|--------------------------------------|------|---|
| NAME | DATE | |
| | | DETAILS: TRENCH BACKFILL |
| | | |
| | | |
| | | |
| | | |
| | | |
| | | |
| | | |
| | | |
| | | |
| SCALE: VERT. NO SCALE HORIZ. DATE | | DRAWN BY CHECKED BY |