

F.A.P. RTE	SECTION	COUNTY	TOTAL SHEETS	SHEET NO
*	**	***	304	165
STA.		TO STA.		
FED. ROAD DIST. NO. -		ILLINOIS	FED. AID PROJECT	

* FAU 9481, FAS 2887 (IL 37)
 ** (12,12X),RS-3;12B-1,12B1-1
 *** FRANKLIN AND WILLIAMSON

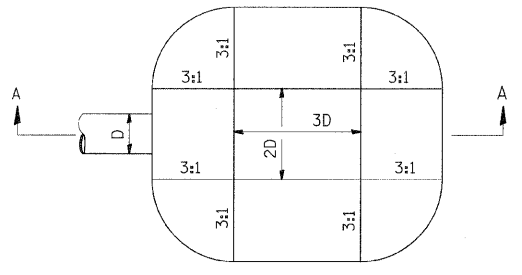
NOTE:
 BOX CULVERT MAY BE PRECAST OR CAST IN PLACE. SHOP PLANS SHALL BE SUBMITTED IN ACCORDANCE WITH REQUIREMENTS OF SECTION 504 OF THE STANDARD SPECIFICATION.
 MINIMUM CONCRETE STRENGTH SHALL BE 5000 PSI.

BILL OF MATERIAL

Bar	No.	Size	Length	Shape
a ₁	22	#7	6' 4"	U
a ₂	6	#4	4'-6"	—
d				└
h ₁	6	#4	VARIABLES	—
h ₂	10	#4	VARIABLES	—
h ₃				—
h ₄				—
h ₅				—
h ₆				—
h ₇				—
h ₈				—
s				□
s ₁				—
v	20	#4	3'11"	—
v ₃				—
Concrete Box Culverts	Cu. Yd.	2.5		
Reinforcement Bars	Pound	665		
3/4" Expansion bolts	Each	0		

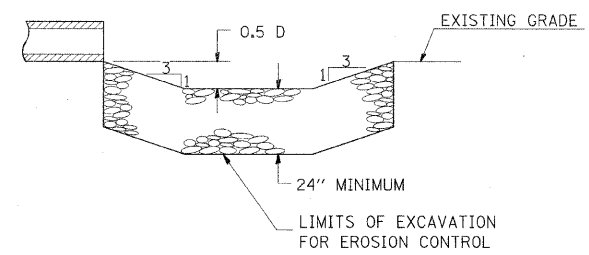
ENERGY DISSIPATOR

EARTH EXCAVATION FOR ENERGY DISSIPATOR



D= INSIDE DIAMETER OF PIPE CULVERT OR CLEAR HEIGHT OF BOX CULVERT

PLAN



SECTION A-A

THIS WORK INVOLVES THE EXCAVATION OF EARTH AS SHOWN IN THE SKETCH TO THE LENGTH, WIDTH, AND DEPTH AS SPECIFIED. THE EARTH EXCAVATION WILL BE UTILIZED IN THE ROADWAY EMBANKMENT OR WASTED AS DIRECTED BY THE ENGINEER. THE EXCAVATION SHALL BE PERFORMED AT THE SAME TIME AS THE CULVERT OR DITCH IS CONSTRUCTED TO SERVE AS A TEMPORARY SEDIMENT TRAP.

EARTHWORK WILL BE CONSIDERED INCLUDED IN THE COST OF THE RIPRAP.

ENERGY DISSIPATOR IS TO BE CONSTRUCTED AT THE LOCATION INDICATED ON THE PLAN AND PROFILE SHEETS.

RIPRAP FOR ENERGY DISSIPATOR

RIPRAP FOR ENERGY DISSIPATOR SHALL BE CONSTRUCTED IN ACCORDANCE WITH SECTION 281 OF THE STANDARD SPECIFICATIONS EXCEPT AS REVISED HEREIN.

THE LENGTH, WIDTH, AND DEPTH FOR RIPRAP PLACEMENT SHALL BE AS SPECIFIED IN THESE DETAILS UNLESS OTHERWISE SPECIFIED IN THE PLANS.

THE RIPRAP FOR THE ENERGY DISSIPATOR SHALL BE PAID FOR AT THE CONTRACT UNIT PRICE PER SQUARE YARD FOR **STONE DUMPED RIPRAP**.

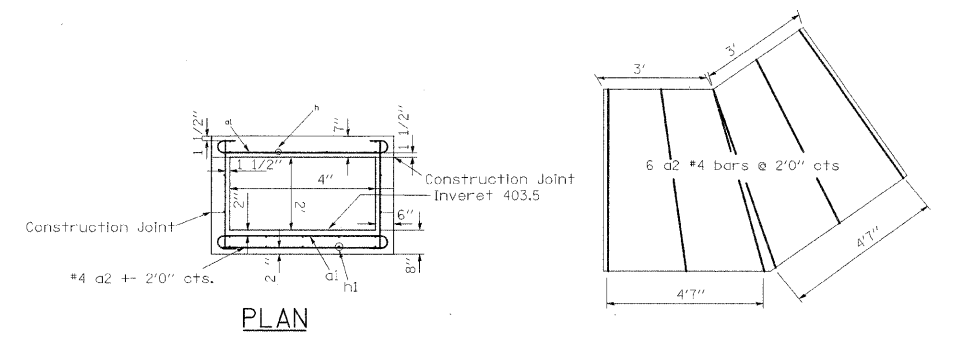
THE STONE DUMPED RIPRAP SHALL CONFORM TO THE QUALITY AND GRADATION REQUIREMENTS OF STONE RIPRAP, CLASS A4.

BEDDING MATERIAL AS SPECIFIED IN SECTION 281 OF THE STANDARD SPECIFICATIONS WILL NOT BE REQUIRED.

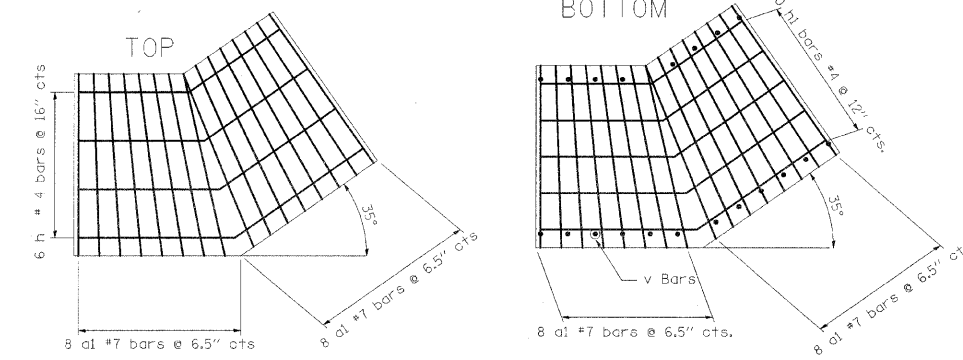
NO.	DESCRIPTION	DATE
1	REVISIONS	
2	REVISIONS	
3	REVISIONS	
4	REVISIONS	
5	REVISIONS	
6	REVISIONS	

STD 9-6

DETAILS OF COLLAR, SPECIAL



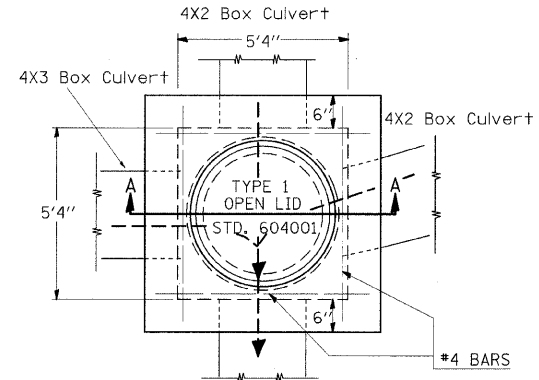
PLAN



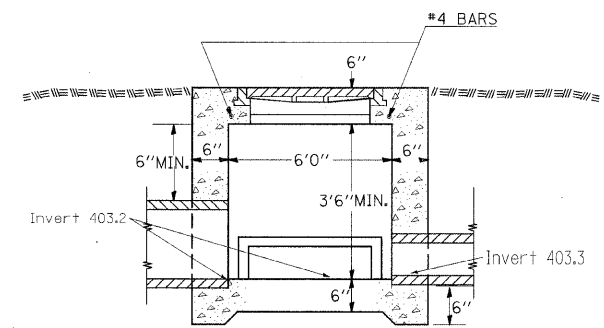
TOP

BOTTOM

DETAILS OF MANHOLES, SPECIAL, TYPE 1



PLAN



SECTION A-A

NOTE:

CLASS SI CONCRETE SHALL BE USED THROUGHOUT. MANHOLES SHALL BE PAID FOR AT CONTRACT UNIT PRICE EACH **MANHOLE, SPECIAL, TYPE 1** WHICH PRICE SHALL INCLUDE CAST IRON FRAME, SPECIAL TYPE 1, WITH TYPE 1 OPEN LID, AND REINFORCEMENT BARS.

MINIMUM CONCRETE STRENGTH SHALL BE 5000 PSI.

TO BE USED:
 STA 399+98

NO.	DESCRIPTION	DATE
1	REVISIONS	
2	REVISIONS	
3	REVISIONS	
4	REVISIONS	
5	REVISIONS	
6	REVISIONS	

MODIFIED
 STD. 9-4

REVISIONS	
NAME	DATE

ILLINOIS DEPARTMENT OF TRANSPORTATION

DETAILS:
ENERGY DISSIPATOR;
MANHOLES, SPECIAL, TYPE 1;
COLLAR, SPECIAL

SCALE: VERT. NO SCALE
 HORIZ. NO SCALE

DRAWN BY
 CHECKED BY

PLOT DATE = 12/7/2009
 FILE NAME = c:\pwworkspace\pwworkspace\138630.dwg
 PLOT SCALE = 1/8" = 1'-0"
 USER NAME = hudson