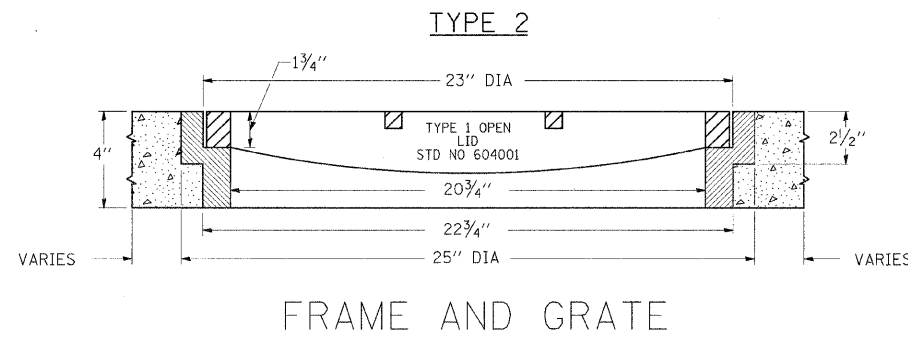
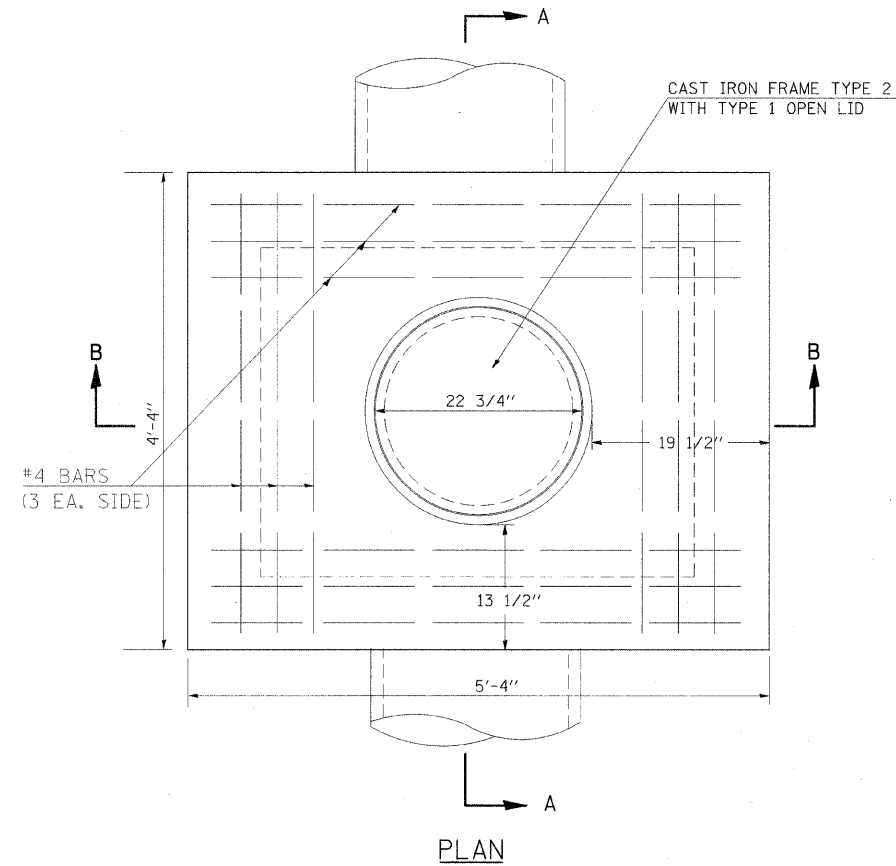


F.A. RTE	SECTION	COUNTY	TOTAL SHEETS	SHEET NO
*	**	***	304	166
STA.		TO STA.		
FED. ROAD DIST. NO.		ILLINOIS	FED. AID PROJECT	

* FAU 9481, FAS 2887 (IL 37)
 ** (12.12X)RS-3;12B-1,12B1-1
 *** FRANKLIN AND WILLIAMSON

DETAIL OF INLET BOX SPECIAL WITH TYPE 2 FRAME; TYPE 1 OPEN LID



GENERAL NOTES

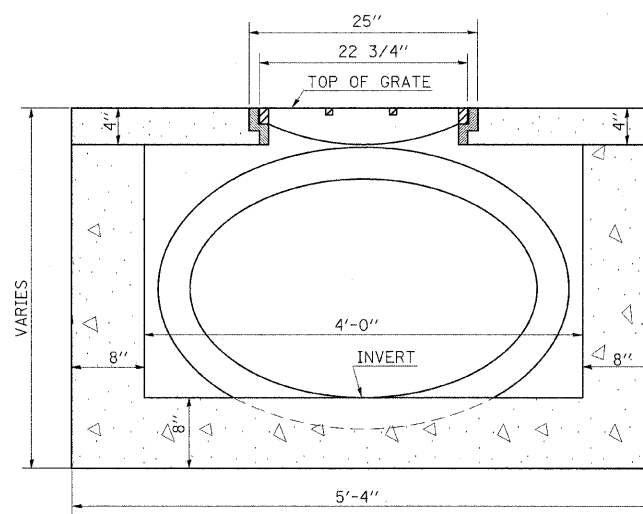
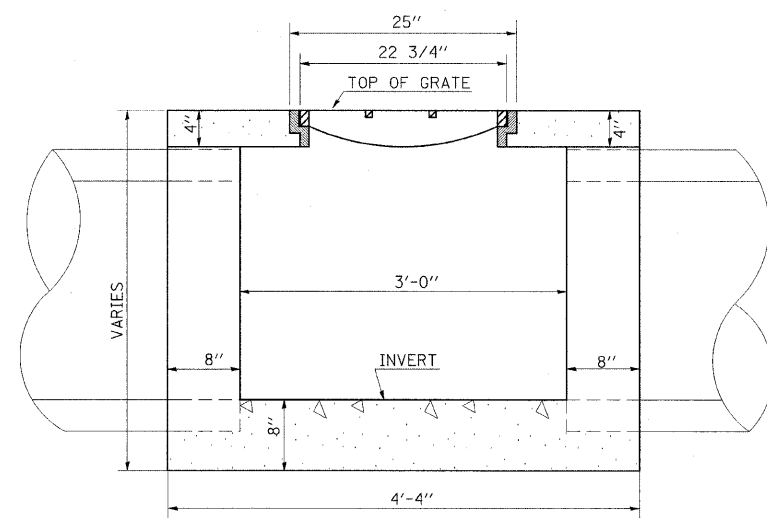
THE FRAMES MAY BE MADE OF EITHER GRAY IRON CONFORMING TO THE STANDARD SPECIFICATIONS OR DUCTILE IRON CONFORMING TO THE SPECIFICATIONS FOR DUCTILE IRON CASTING, A.S.T.M. DESIGNATION: A536, GRADE 60-45-10.

CLASS SI CONCRETE SHALL BE USED THROUGHOUT.

THE INLET SHALL BE PAID FOR AT THE CONTRACT UNIT PRICE EACH FOR **INLET BOX SPECIAL**, WHICH PRICE SHALL INCLUDE THE COST OF THE CAST IRON FRAME, TYPE 2, WITH TYPE 1 OPEN LID AND FURNISHING ALL MATERIAL AND FOR CONSTRUCTING THE WORK IN PLACE.

THE INLET MAY BE PRECAST OR MAY BE CAST IN PLACE.

THE LID MAY BE CAST SEPARATELY OR MONOLITHICALLY WITH THE UPPER SECTION OF THE INLET.



TO BE USED AT:
LT STA 396+80

REVISIONS	
NAME	DATE

ILLINOIS DEPARTMENT OF TRANSPORTATION

DETAILS:
INLET BOX SPECIAL WITH
TYPE 2 FRAME;
TYPE 1 OPEN LID

SCALE: VERT. NO SCALE
 HORIZ. NO SCALE

DRAWN BY
 CHECKED BY