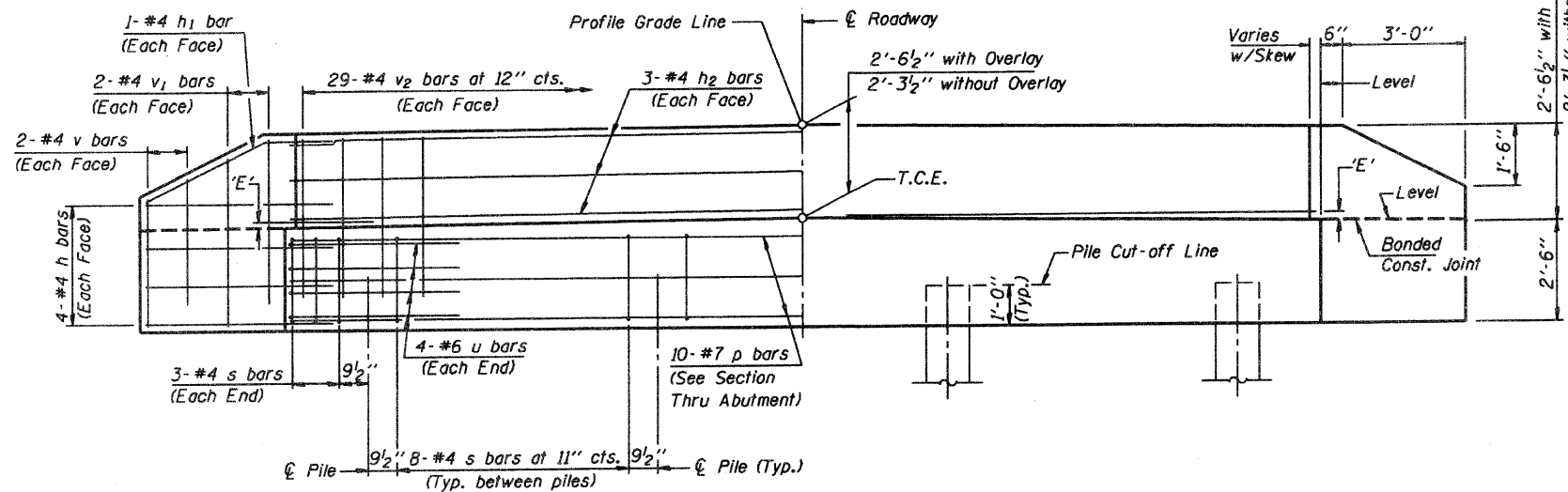
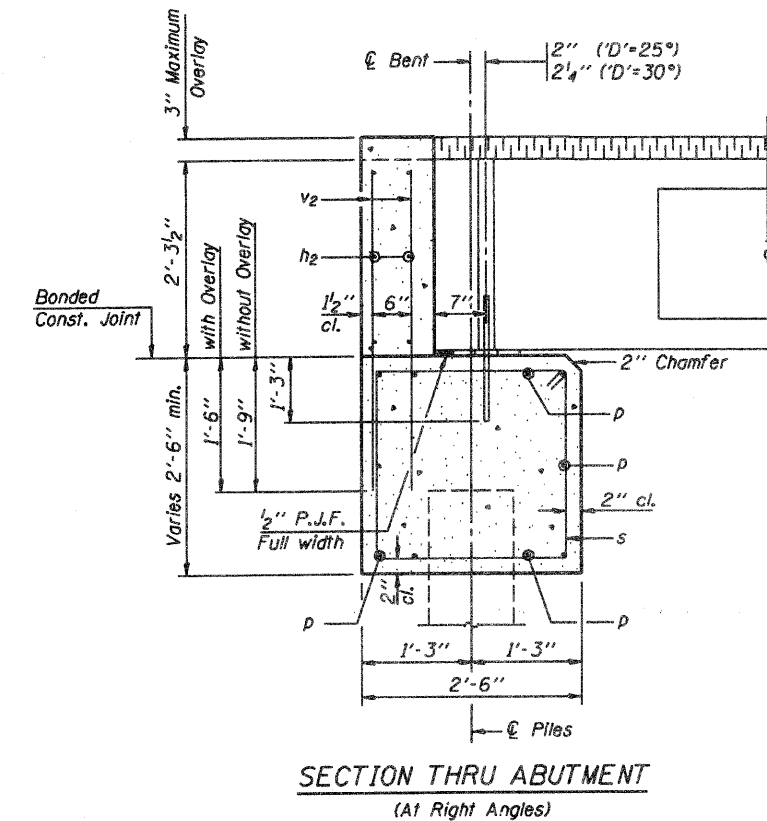
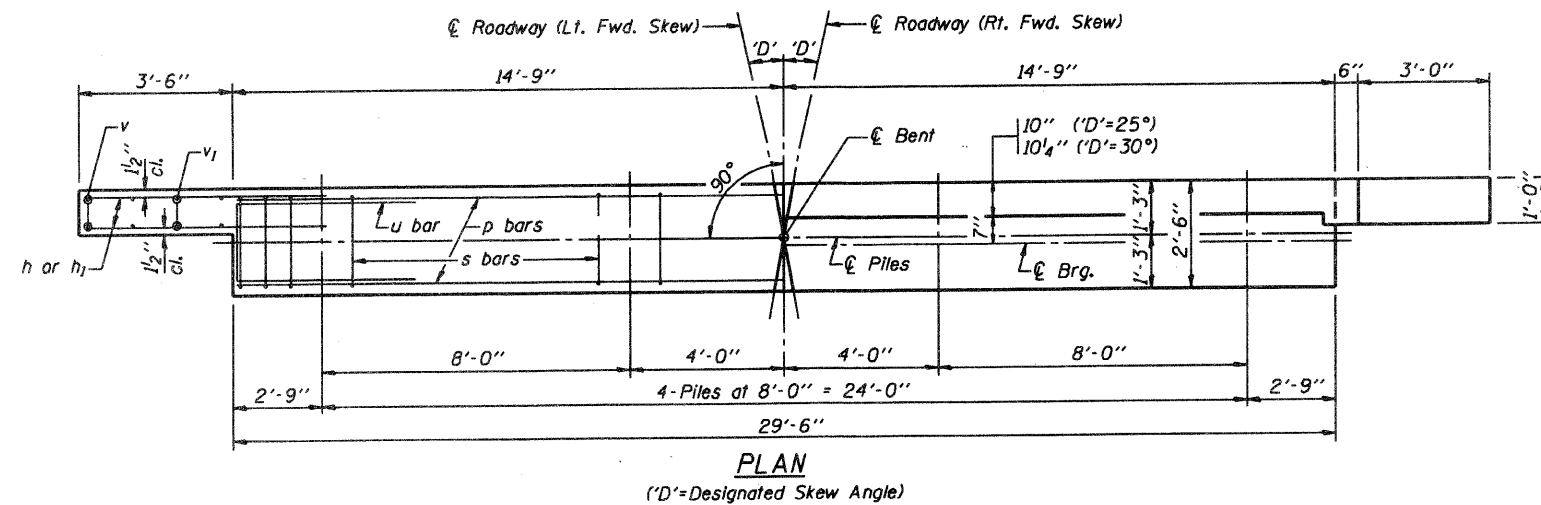


ROUTE	SECTION	COUNTY	TOWNSHIP	TOTAL SHEETS	SHEET NUMBER
T.R. 51	04-0182-00-BR	UNION	SEC 31, T1S, R1W	15	11
JOB NO. C-99-549-04			PROJECT NO. BROS-181 (26)		
RR#E ROAD			CONTRACT NO. 99216		



DIMENSION 'E'

GRADE	<i>D'</i> = 25°		<i>D'</i> = 30°	
	UPGRADE END	DOWNGRADE END	UPGRADE END	DOWNGRADE END
0%	2 1/2"	2 1/2"	2 3/8"	2 3/8"
Over 0% to 1%	2 7/8"	2 7/8"	2"	2 7/8"
Over 1% to 2%	1 3/8"	3 5/8"	1"	3 3/4"
Over 2% to 3%	5/8"	4 3/8"	1/8"	4 5/8"
Over 3% to 4%	0"	5/8"		

NOTES

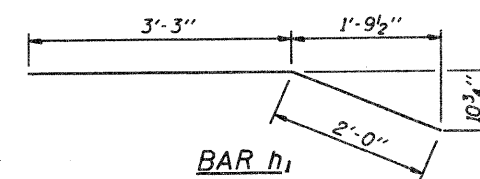
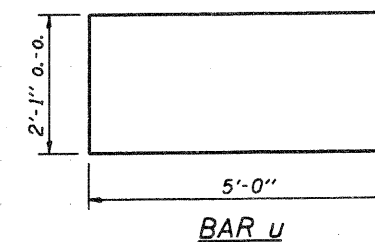
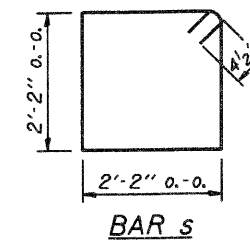
- The Backwall and the portion of the Wingwalls above the bonded construction joint shall be cast against the in-place beam.
- Reinforcement bars shall conform to the requirements of A.A.S.H.T.O. M-31 or M-322, Grade 60.
- Space reinforcement in cap to miss anchor bolts.

MAXIMUM PILE LOADS

SPAN	TONS
40'	34
50'	38
60'	43

DESIGN STRESSES

f'c = 3,500 psi
*f*y = 60,000 psi



BILL OF MATERIAL FOR ONE ABUTMENT

Bar	No.	Size	Length	Shape
h	16	#4	5'-0"	—
h1	4	#4	5'-3"	—
h2	6	#4	29'-2"	—
p	10	#7	29'-2"	—
s	30	#4	9'-5"	□
u	8	#6	12'-1"	□
v	8	#4	3'-2"	—
v1	8	#4	4'-2"	—
v2	58	#4	3'-11"	—
Concrete Structures			10.7 Cu. Yds.	
Reinforcement Bars			1310 Lb.	

**P.P.C. DECK BEAMS
PILE BENT ABUTMENT**

24' RDWY.	27" BMS.	<i>D'</i> = 25° OR 30°
-----------	----------	------------------------

STANDARD CA-2427-30