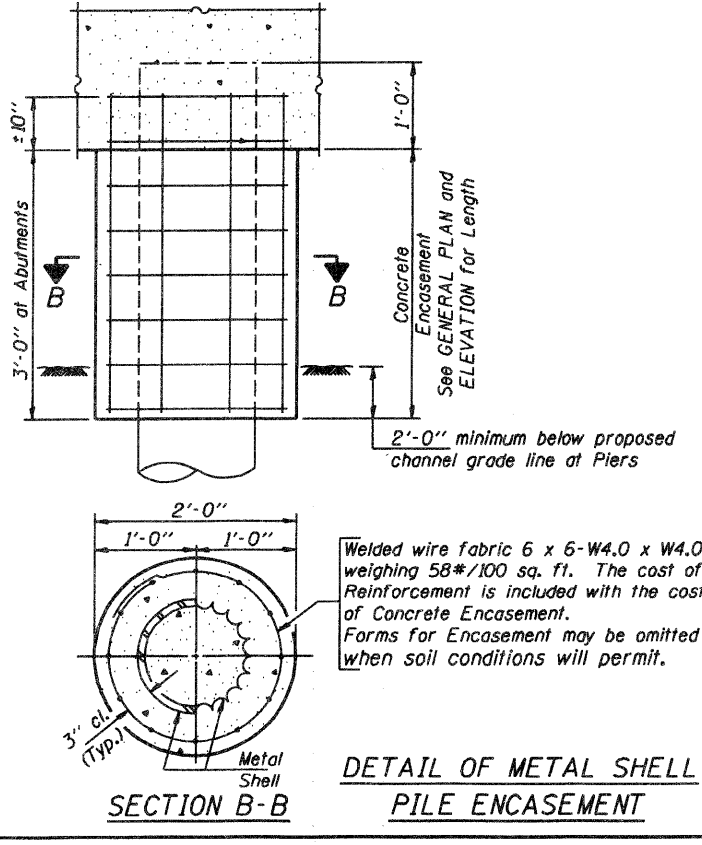
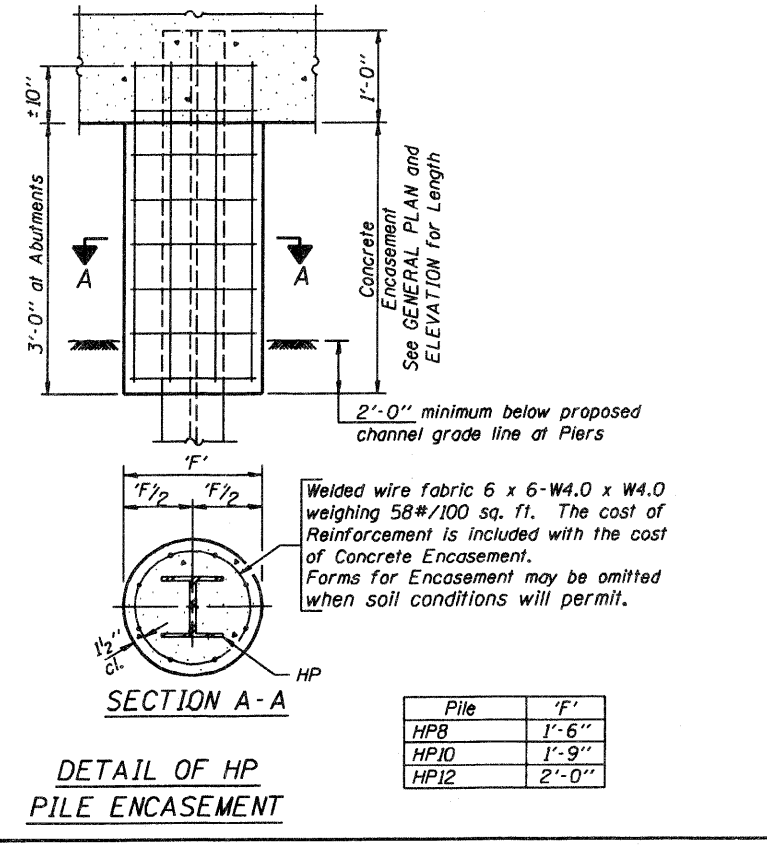
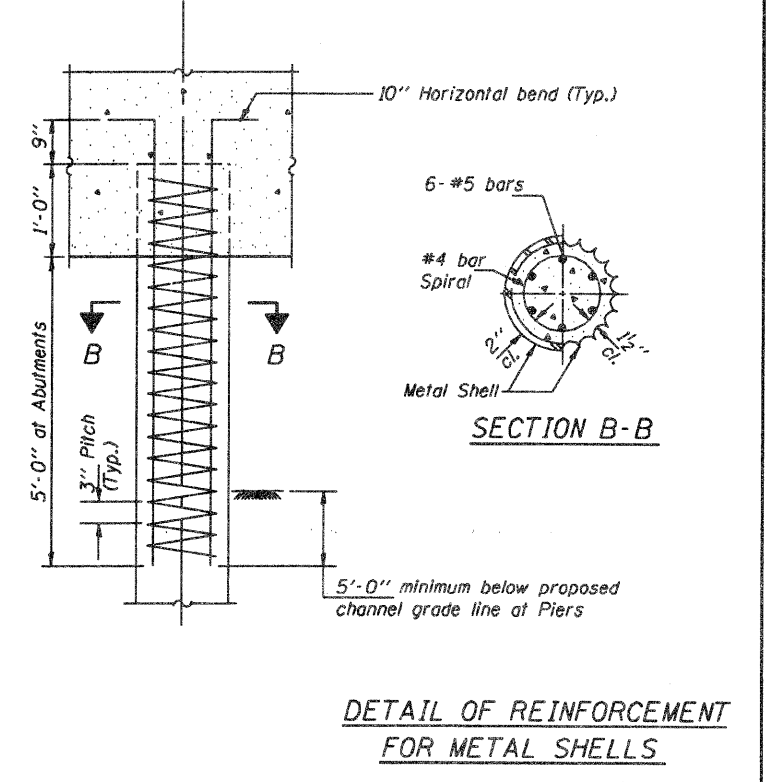
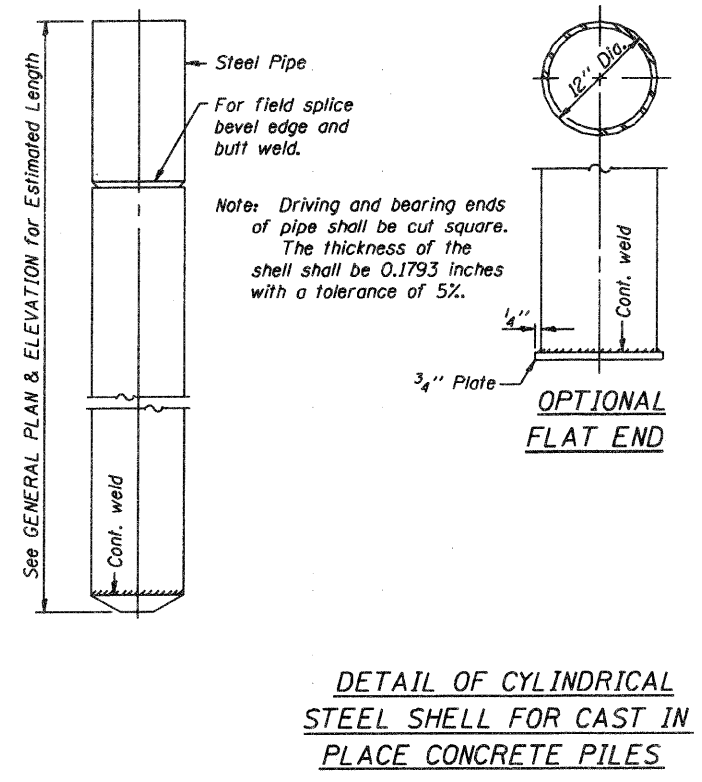
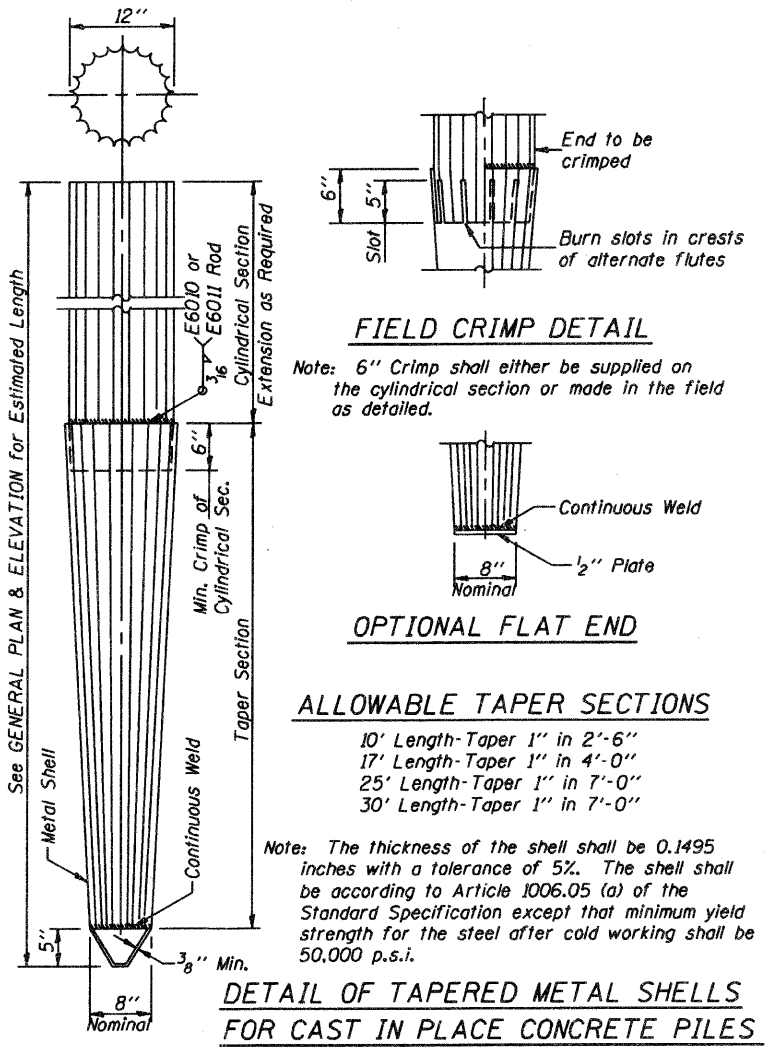
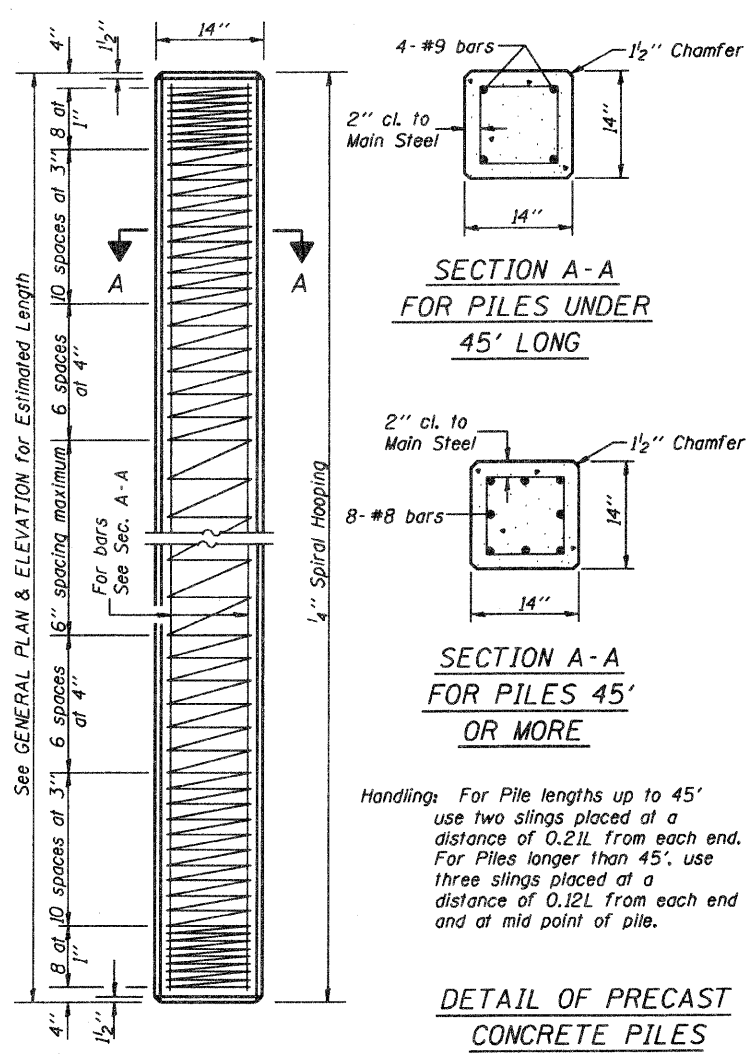


ROUTE	SECTION	COUNTY	TOWNSHIP	TOTAL SHEETS	SHEET NUMBER
T.R. 51	04-0182-00-BR	UNION	SEC 31, T1S, R1W	15	14
JOB NO. C-99-549-04			PROJECT NO. BROS-1B1 (26)		
RHINE ROAD			CONTRACT NO. 99216		

Reinforcement cage shall be omitted when Concrete Encasement is provided.

The cost of Reinforcement is included with the Cost of Furnishing Piles.



**QUANTITIES/FT. OF ENCASEMENT (STEEL PILES)**

Pile Size	Item	Quantity
HP8	Concrete Encasement	0.063 C.Y.
HP10	Concrete Encasement	0.086 C.Y.
HP12	Concrete Encasement	0.112 C.Y.

**(METAL SHELL PILES)**

Pile Size	Item	Quantity
12" Dia.	Concrete Encasement	0.087 C.Y.

PILE DETAILS
STANDARD CX-1