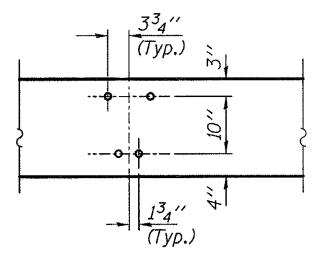
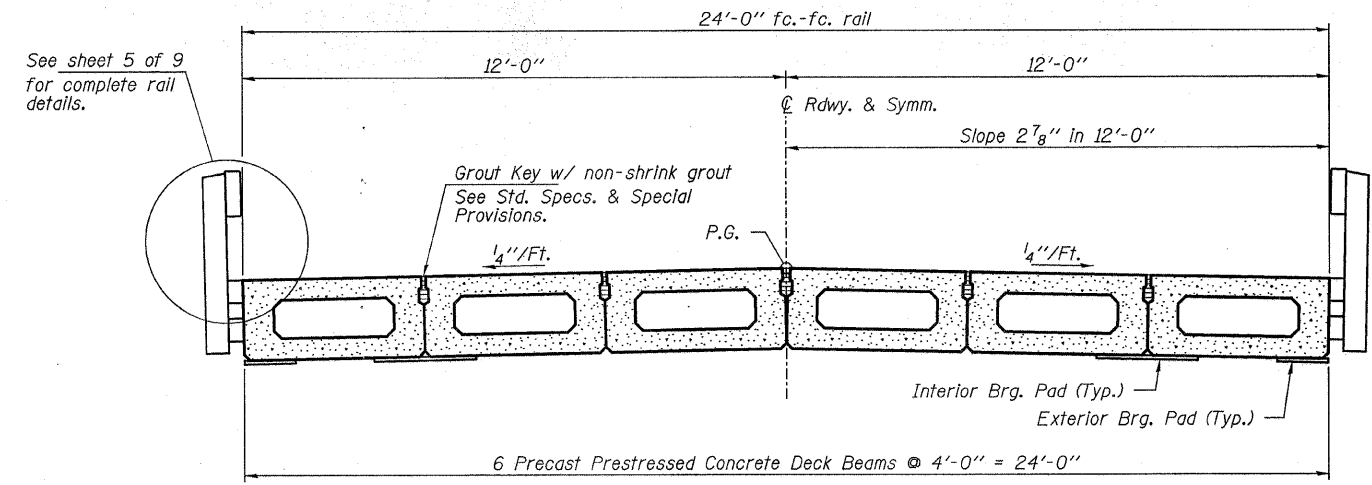


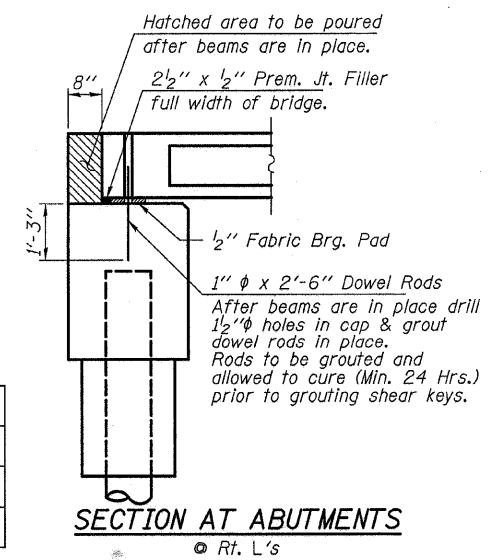
ELEVATION
Showing Rail Post Spaces
See sheet 5 of 9 for Railing Details.



DETAIL A



CROSS SECTION
See sheets 2 & 3 of 9 for Superstructure.



SECTION AT ABUTMENTS
© Rt. L's

| |
|-------------------|
| DESIGNED - A.S.L. |
| CHECKED - S.W.M. |
| DRAWN - D.A.B. |
| CHECKED - D.T.M. |

SUPERSTRUCTURE DETAILS
STRUCTURE NO. 097-3265

| | | | | | | |
|--|-------------|---------------------|----------------|-------------------------------|--------------|-----------|
| HAMPTON, LENZINI & RENWICK, INC. CIVIL & STRUCTURAL ENGINEERS LAND SURVEYORS HLR 3085 STEVENSON DRIVE, SUITE 201 SPRINGFIELD, ILLINOIS 62703 (217) 546-3400 PROJECT NUMBER: 08.0266.130 DATE: 02/26/09 | SHEET NO. 4 | T.R. | SECTION | COUNTY | TOTAL SHEETS | SHEET NO. |
| | 9 SHEETS | 269 | 07-03119-00-BR | WHITE | 12 | 7 |
| | | EMMA ROAD DISTRICT | | CONTRACT NO. 99370 | | |
| | | FED. ROAD DIST. NO. | ILLINOIS | FED. AID PROJECT BROS-193(35) | | |