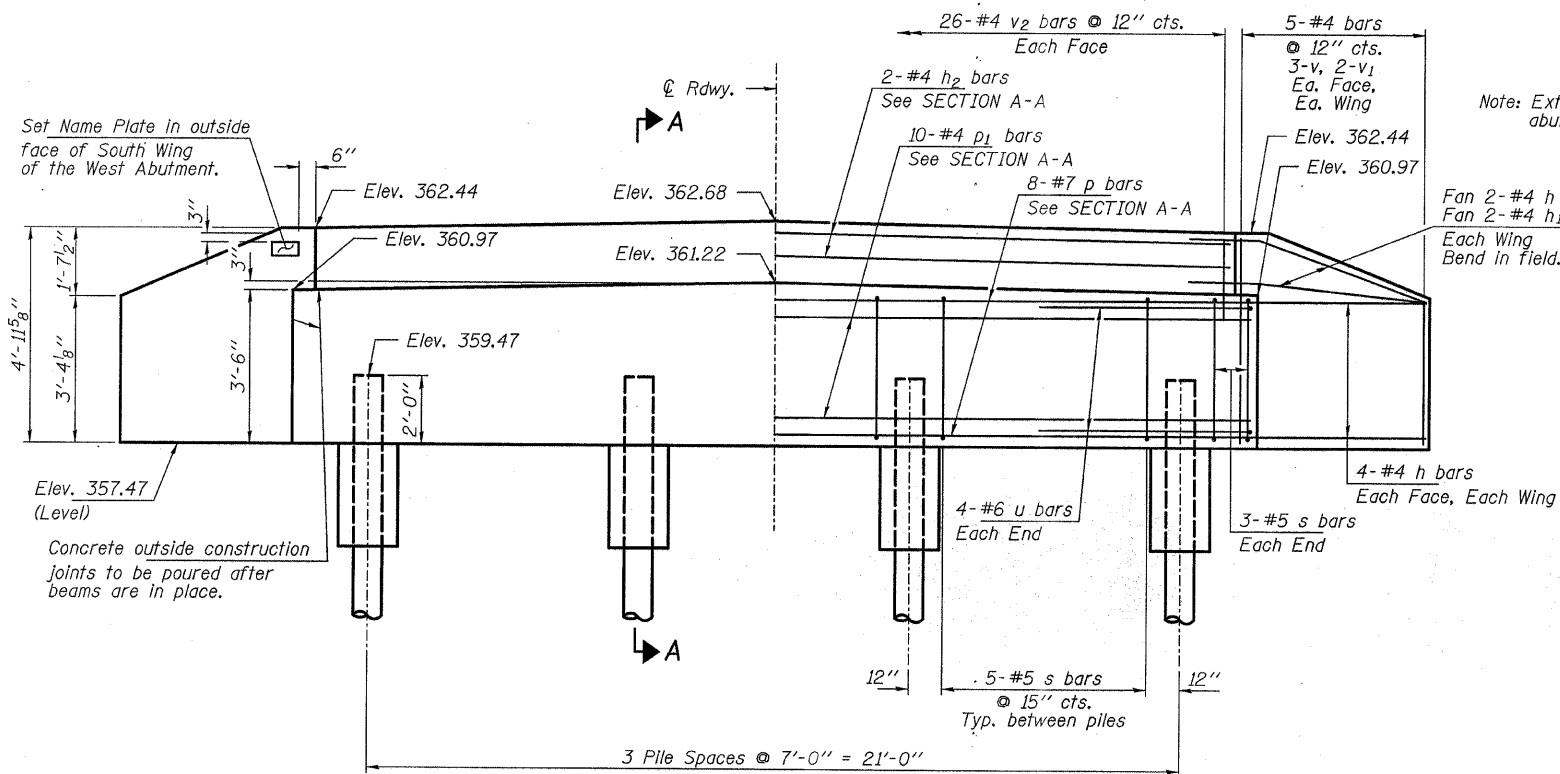
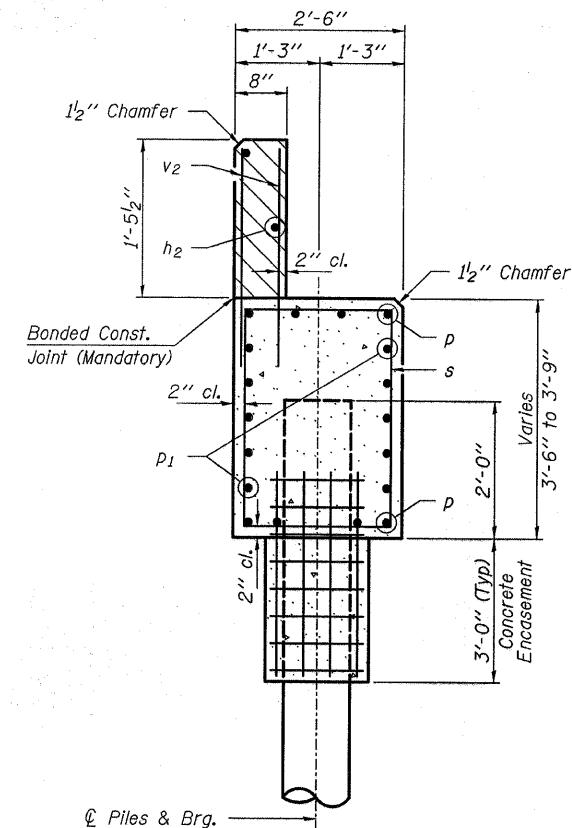


PLAN

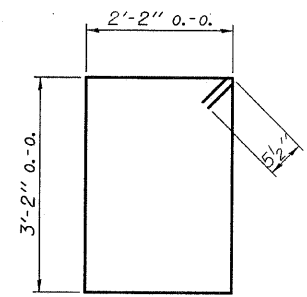


ELEVATION

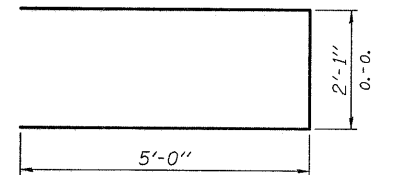


SECTION A-A

Hatched area to be poured after beams are in place.



BAR s



BAR u

BILL OF MATERIAL - 2 ABUTS.

BAR	NO.	SIZE	LENGTH	SHAPE
h	40	#4	5'-6"	—
h1	8	#4	4'-0"	—
h2	4	#4	25'-2"	—
p	16	#7	25'-2"	—
p1	20	#4	25'-2"	—
s	42	#5	11'-7"	□
u	16	#6	12'-1"	—
v	24	#4	4'-1"	—
v1	16	#4	3'-1"	—
v2	104	#4	2'-4"	—
Concrete Structures			Cu. Yd.	21.0
Concrete Encasement			Cu. Yd.	3.6
Reinforcement Bars			Pound	2,450
Metal Shell Piles 12" X 0.250"			Foot	345
Test Pile Metal Shells			Each	1
Name Plates			Each	1

PILE DATA

Type: Metal Shell Piles 12" X 0.250"
 No. Req'd. (2 Abuts.): 8
 Factored Resistance Available (Rf): 144 Kips/Pile
 Nominal Required Bearing (Rn): 288 Kips/Pile
 Est. Length: 55 Ft./Pile (W. Abut.)
 45 Ft./Pile (E. Abut.)

Notes: *Includes one test pile to be driven in permanent locations at the West Abutment.

The test piles shall be driven to 110 percent of the Nominal Required Bearing indicated in the pile data information.

DESIGNED - A.S.L.
CHECKED - S.W.M.
DRAWN - D.A.B.
CHECKED - D.T.M.

**ABUTMENTS
STRUCTURE NO. 097-3265**

HAMPTON, LENZINI & RENWICK, INC. CIVIL & STRUCTURAL ENGINEERS LAND SURVEYORS 3085 STEVENSON DRIVE, SUITE 201 SPRINGFIELD, ILLINOIS 62703 (217) 548-3400	SHEET NO. 6 9 SHEETS	T.R.	SECTION	COUNTY	TOTAL SHEETS	SHEET NO.	
		269	07-03119-00-BR	WHITE	12	9	
		EMMA ROAD DISTRICT		CONTRACT NO. 99370			
PROJECT NUMBER: 08.0256.130		DATE: 02/25/09		FED. ROAD DIST. NO.			ILLINOIS FED. AID PROJECT BROS-193(35)