

STATE OF ILLINOIS
DEPARTMENT OF TRANSPORTATION

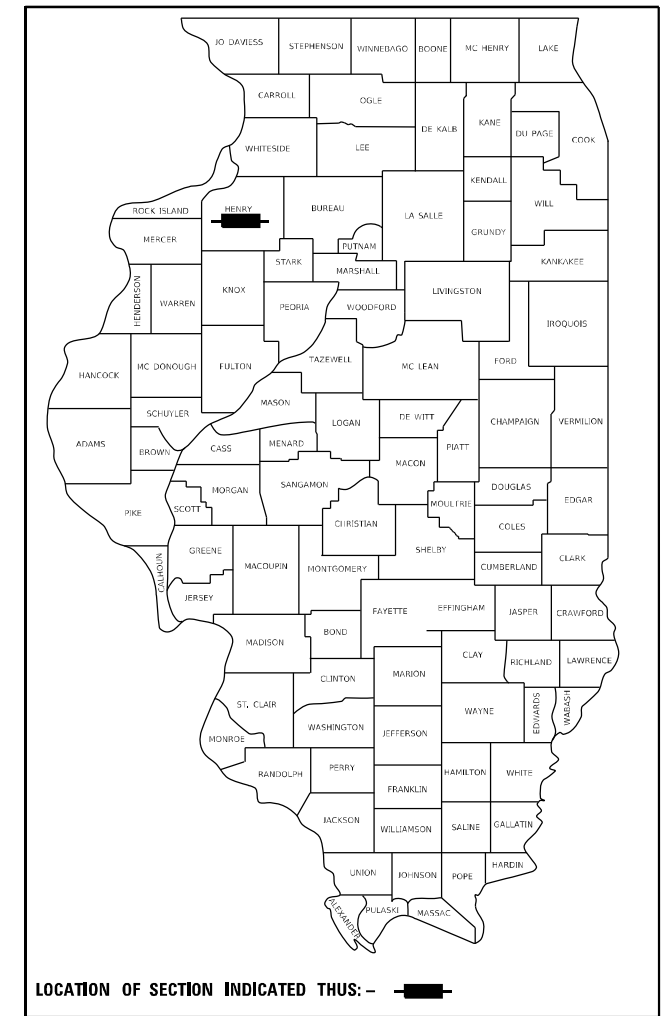
**PROPOSED
HIGHWAY PLANS**

**FAI ROUTE 74 (I-74)
SECTION: (37-4B)BP
PROJECT: NHPP-4CKM(892)
TYPE of IMPROVEMENT: BRIDGE PAINTING
HENRY COUNTY**

C-92-018-21
R.3E.

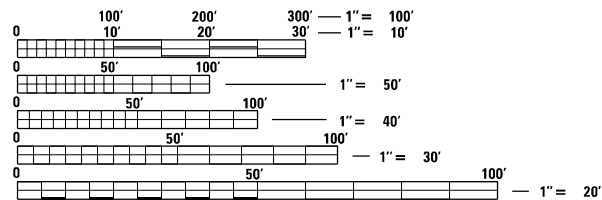
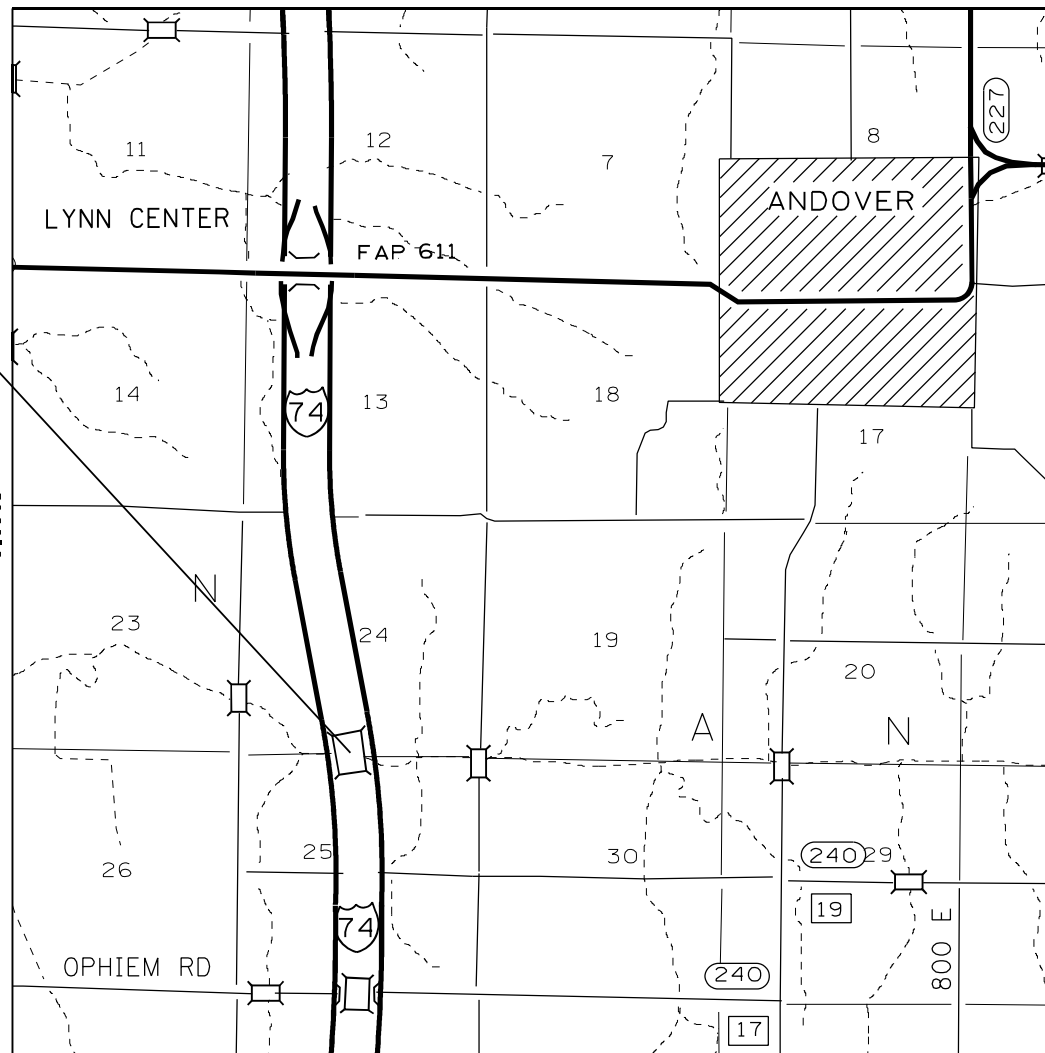
F.A.I. RTE.	SECTION	COUNTY	TOTAL SHEETS	SHEET NO.
74	(37-4B)BP	HENRY	7	1
		ILLINOIS	CONTRACT NO. 64P75	

D-92-015-21



**HENRY COUNTY
LYNN TOWNSHIP - SECTIONS 24 & 25**

**LOCATION 1 & 2
SN 037-0013 & 0014**



FULL SIZE PLANS HAVE BEEN PREPARED USING STANDARD ENGINEERING SCALES, REDUCED SIZED PLANS WILL NOT CONFORM TO STANDARD SCALES. IN MAKING MEASUREMENTS ON REDUCED PLANS, THE ABOVE SCALES MAY BE USED.

J.U.L.I.E.
JOINT UTILITY LOCATION INFORMATION FOR EXCAVATION
1-800-892-0123
OR 811

**PROJECT ENGINEER: DAVID DOSS (815) 284-5416
PROJECT MANAGER: MAHMOUD ETEMADI (815) 284-5393**

CONTRACT NO. 64P75

STATE OF ILLINOIS
DEPARTMENT OF TRANSPORTATION

SUBMITTED March 03, 20 21

[Signature]
REGIONAL ENGINEER

May 7, 2021 *[Signature]*
ENGINEER OF DESIGN AND ENVIRONMENT

May 7, 2021 *[Signature]*
DIRECTOR OF HIGHWAYS PROJECT IMPLEMENTATION

**PRINTED BY THE AUTHORITY
OF THE STATE OF ILLINOIS**

INDEX OF SHEETS

- 1 COVER SHEET
- 2 INDEX OF SHEETS / STATE STANDARDS / GENERAL NOTES
- 3 SUMMARY OF QUANTITIES
- 4 EXISTING ROADWAY TYPICAL
- 5 STAGING TYPICALS
- 6 TRAFFIC CONTROL & PROTECTION, STANDARD 701400 (SPECIAL) FOR SN 037-0013 & 037-0014
- 7 TRAFFIC CONTROL & PROTECTION, STANDARD 701402 (SPECIAL) FOR SN 037-0013 & 037-0014

STATE STANDARDS

- 701101-05 OFF-ROAD OPERATIONS, MULTILANE, 15' (4.5m) TO 24'' (600mm) FROM PAVEMENT EDGE
- 701401-12 LANE CLOSURE, FREEWAY/EXPRESSWAY
- 701426-09 LANE CLOSURE, MULTILANE, INTERMITTENT OR MOVING OPERATIONS, FOR SPEEDS \geq 45 MPH
- 701901-08 TRAFFIC CONTROL DEVICES
- 704001-08 TEMPORARY CONCRETE BARRIER
- 720011-01 METAL POSTS FOR SIGNS, MARKERS & DELINEATORS
- 728001-01 TELESCOPING STEEL SIGN SUPPORT
- 729001-01 APPLICATIONS OF TYPES A & B METAL POSTS (FOR SIGNS & MARKERS)

GENERAL NOTES

LOCATION 1 - SN 037-0013

THE CONTRACTOR SHALL SEED ALL DISTURBED AREAS WITHIN THE PROJECT LIMITS. SEEDING CLASS 2A SHALL BE USED. THIS WORK WILL BE INCLUDED IN THE CONTRACT UNIT PRICE PER LUMP SUM FOR CLEANING AND PAINTING STEEL BRIDGE NO. 1.

FERTILIZER SHALL BE APPLIED TO ALL DISTURBED AREAS AND INCORPORATED INTO THE SEEDBED PRIOR TO SEEDING OR PLACEMENT OF SOD AT THE RATE SPECIFIED IN SECTIONS 250 AND 252 OF THE STANDARD SPECIFICATIONS. THIS WORK SHALL BE INCLUDED IN THE COST OF CLEANING AND PAINTING STEEL BRIDGE NO. 1.

MULCH METHOD II SHALL BE APPLIED OVER ALL SEEDED AREAS. THIS SHALL BE INCLUDED IN THE COST OF THE CLEANING AND PAINTING STEEL BRIDGE NO. 1.

LOCATION 2 - SN 037-0014

THE CONTRACTOR SHALL SEED ALL DISTURBED AREAS WITHIN THE PROJECT LIMITS. SEEDING CLASS 2A SHALL BE USED. THIS WORK WILL BE INCLUDED IN THE CONTRACT UNIT PRICE PER LUMP SUM FOR CLEANING AND PAINTING STEEL BRIDGE NO. 2.

FERTILIZER SHALL BE APPLIED TO ALL DISTURBED AREAS AND INCORPORATED INTO THE SEEDBED PRIOR TO SEEDING OR PLACEMENT OF SOD AT THE RATE SPECIFIED IN SECTIONS 250 AND 252 OF THE STANDARD SPECIFICATIONS. THIS WORK SHALL BE INCLUDED IN THE COST OF CLEANING AND PAINTING STEEL BRIDGE NO. 2.

MULCH METHOD II SHALL BE APPLIED OVER ALL SEEDED AREAS. THIS SHALL BE INCLUDED IN THE COST OF THE CLEANING AND PAINTING STEEL BRIDGE NO. 2.

LOCATIONS 1 and 2 - SN's 037-0013 and 037-0014

ALL BORROW/WASTE/USE SITES MUST BE APPROVED BY THE DEPARTMENT PRIOR TO REMOVING ANY MATERIAL FROM THE PROJECT OR INITIATING ANY EARTHMOVING ACTIVITIES, INCLUDING TEMPORARY STOCKPILING OUTSIDE THE LIMITS OF CONSTRUCTION.

TEMPORARY IMPACT ATTENUATORS WILL BE MEASURED AS EACH FOR EACH ATTENUATOR SUPPLIED ON THE JOB AS SPECIFIED IN THE PLANS, AND SHALL INCLUDE THE COST OF RENTING/OWNING THE ATTENUATOR FOR THE TIME REQUIRED ON THE JOB PLUS HAULING TO AND FROM THE PROJECT SITE, AS WELL AS ONE PLACEMENT AND REMOVAL FROM THE ROADWAY. THIS SHALL BE PAID FOR AT THE CONTRACT UNIT PRICE PER EACH FOR IMPACT ATTENUATORS, TEMPORARY OF THE TYPE SPECIFIED.

RELOCATE TEMPORARY IMPACT ATTENUATOR WILL BE PAID FOR AS EACH AND WILL BE PAID FOR EACH TIME THE ATTENUATOR IS REQUIRED BY STAGING TO BE PICKED UP AND MOVED TO A DIFFERENT LOCATION ON THE PROJECT, WHETHER IT IS TO ANOTHER LOCATION ON THE ROADWAY OR TO A STORAGE/STAGING LOCATION FOR THE PROJECT. THIS SHALL BE PAID FOR AT THE CONTRACT UNIT PRICE PER EACH FOR IMPACT ATTENUATORS, RELOCATE OF THE TYPE SPECIFIED.

THIS WORK SHALL BE DONE IN ACCORDANCE WITH SECTION 704 OF THE STANDARD SPECIFICATIONS. TEMPORARY CONCRETE BARRIER WILL BE MEASURED IN FEET ALONG THE CENTERLINE OF THE BARRIER AND SHALL INCLUDE THE COST OF RENTING/OWNING THE BARRIER FOR THE TIME REQUIRED ON THE JOB PLUS HAULING TO AND FROM THE PROJECT SITE, AS WELL AS ONE PLACEMENT AND REMOVAL FROM THE ROADWAY IN ACCORDANCE WITH SECTION 704 OF THE STANDARD AND SPECIFICATION. THIS SHALL BE PAID FOR AT THE CONTRACT UNIT PRICE PER FOOT FOR TEMPORARY CONCRETE BARRIER.

RELOCATE TEMPORARY CONCRETE BARRIER WILL BE PAID FOR IN FEET ALONG THE CENTERLINE OF THE BARRIER, AND WILL BE PAID FOR EACH TIME THE BARRIER IS REQUIRED BY STAGING TO BE PICKED UP AND MOVED TO A DIFFERENT LOCATION ON THE PROJECT, WHETHER IT IS TO ANOTHER LOCATION ON THE ROADWAY OR TO A STORAGE/STAGING LOCATION FOR THE PROJECT. THIS SHALL BE PAID FOR AT THE CONTRACT UNIT PRICE PER FOOT FOR RELOCATE TEMPORARY CONCRETE BARRIER.

THE CONTRACTOR SHALL BE RESPONSIBLE FOR PROTECTING UTILITY PROPERTY DURING CONSTRUCTION OPERATIONS AS OUTLINED IN ARTICLE 107.31 OF THE STANDARD SPECIFICATIONS. A MINIMUM OF 48 HOURS ADVANCE NOTICE IS REQUIRED FOR NON-EMERGENCY WORK. THE JULIE NUMBER IS 800-892-0123.

THE SSPC OP1 & OP2 CONTRACT CERTIFICATIONS WILL BE REQUIRED FOR THIS CONTRACT.

MODEL: Default
 FILE NAME: p:\data\room04.dwg
 PROJECT: ILLINOIS DOT
 OFFICE: DISTRICT 2
 PROJECT: OPERATIONS BRIDGE SECTION
 SHEET: 037-0013 & 037-0014
 DATE: 03/10/2021 08:19:11 AM

USER NAME = drossd	DESIGNED - _____	REVISED - _____
	DRAWN - _____	REVISED - _____
PLOT SCALE = 40,0000 * / in.	CHECKED - _____	REVISED - _____
PLOT DATE = Mar-10-2021 08:19:11 AM	DATE - _____	REVISED - _____

**STATE OF ILLINOIS
DEPARTMENT OF TRANSPORTATION**

INDEX OF SHEETS, STATE STANDARDS & GENERAL NOTES			
SCALE: _____	SHEET _____	OF _____	SHEETS
STA. _____	TO STA. _____		

F.A.I. RTE.	SECTION	COUNTY	TOTAL SHEETS	SHEET NO.
74	(37-4B)BP	HENRY	7	2
CONTRACT NO. 64P75				
ILLINOIS FED. AID PROJECT				

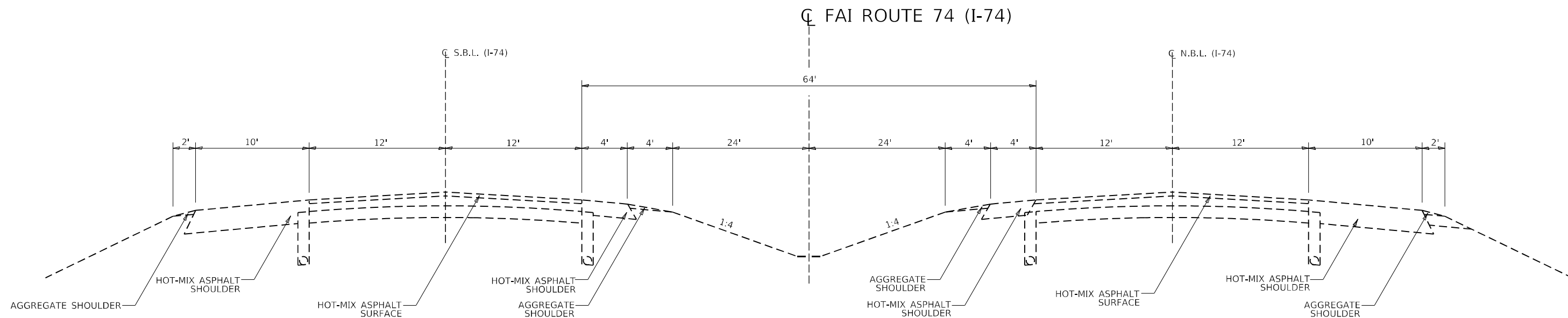
SUMMARY OF QUANTITIES

0047
90% NHPP
10% STATE

CODE NUMBER	ITEM	UNIT	HENRY COUNTY	TOTAL QUANTITY
67100100	MOBILIZATION	L SUM	1	1
70100800	TRAFFIC CONTROL AND PROTECTION, STANDARD 701401	L SUM	1	1
70400100	TEMPORARY CONCRETE BARRIER	FOOT	775	775
70400200	RELOCATE TEMPORARY CONCRETE BARRIER	FOOT	275	275
70600250	IMPACT ATTENUATORS, TEMPORARY (NON-REDIRECTIVE), TEST LEVEL 3	EACH	2	2
70600350	IMPACT ATTENUATORS, RELOCATE (NON-REDIRECTIVE), TEST LEVEL 3	EACH	2	2
X7010208	TRAFFIC CONTROL AND PROTECTION, STANDARD 701402 (SPECIAL)	EACH	2	2
Z0007101	CONTAINMENT AND DISPOSAL OF LEAD PAINT CLEANING RESIDUES NO. 1	L SUM	1	1
Z0007102	CONTAINMENT AND DISPOSAL OF LEAD PAINT CLEANING RESIDUES NO. 2	L SUM	1	1
Z0010501	CLEANING AND PAINTING STEEL BRIDGE NO. 1	L SUM	1	1
Z0010502	CLEANING AND PAINTING STEEL BRIDGE NO. 2	L SUM	1	1

MODEL: Default
FILE NAME: p:\a\h\p\6\m\room\dat\illinois.gov\PWDOT\Documents\DOT_Office\District 2\Projects\Operations\Briaridge_Section\Henry\037_0013_037_001\44P75\CADD\64P75_sht-cqvt.dgn

EXISTING TYPICAL



MODEL: Default
 FILE NAME: p:\pub\harramondotillinois.gov\PWIDOT\Documents\DOT_Offices\District 2\Projects\Operations\Briaridge_Section\Henry037-0013_037-0014\64P75\CADD\64P75-shf-cvare.dgn

USER NAME = dossdd	DESIGNED - _____	REVISED - _____
DRAWN - _____	REVISOR - _____	REVISOR - _____
PLOT SCALE = 40,0000 * / in.	CHECKED - _____	REVISOR - _____
PLOT DATE = Mar-03-2021 09:36:08 AM	DATE - _____	REVISOR - _____

STATE OF ILLINOIS
DEPARTMENT OF TRANSPORTATION

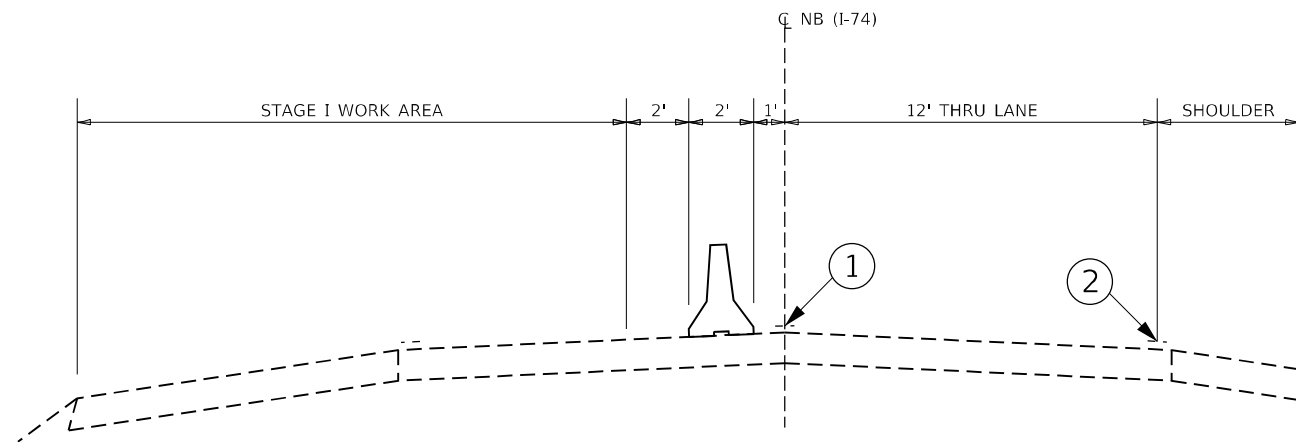
EXISTING TYPICAL

SCALE: _____ SHEET ____ OF ____ SHEETS STA. _____ TO STA. _____

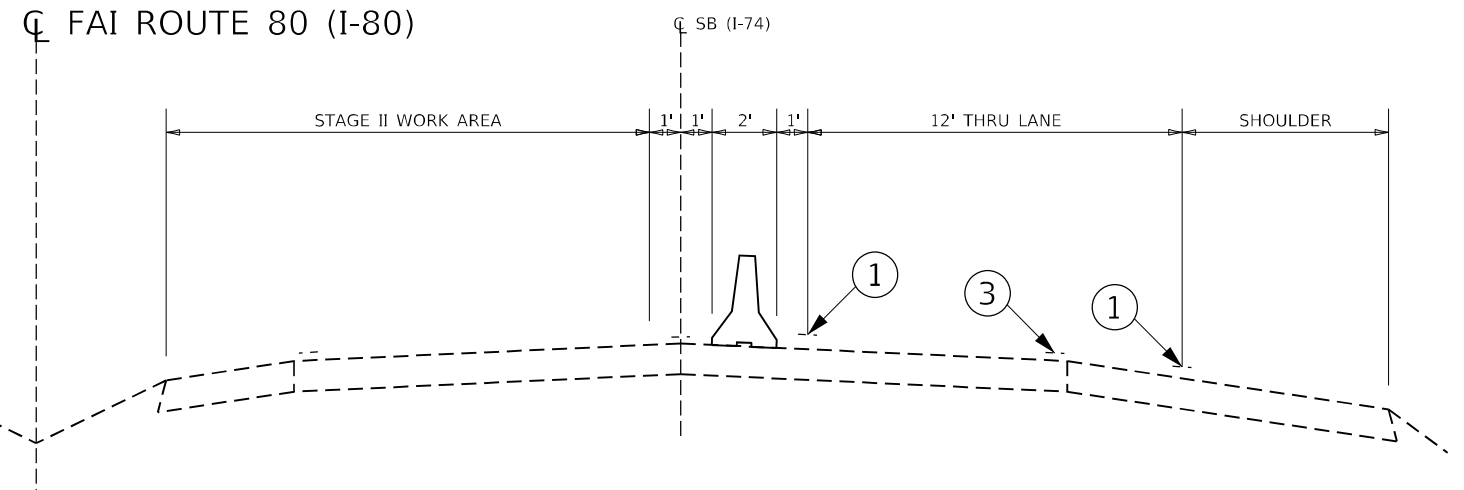
F.A.I. RTE.	SECTION	COUNTY	TOTAL SHEETS	SHEET NO.
74	(37-4B)BP	HENRY	7	4
CONTRACT NO. 64P75				
ILLINOIS FED. AID PROJECT				

STAGING TYPICALS

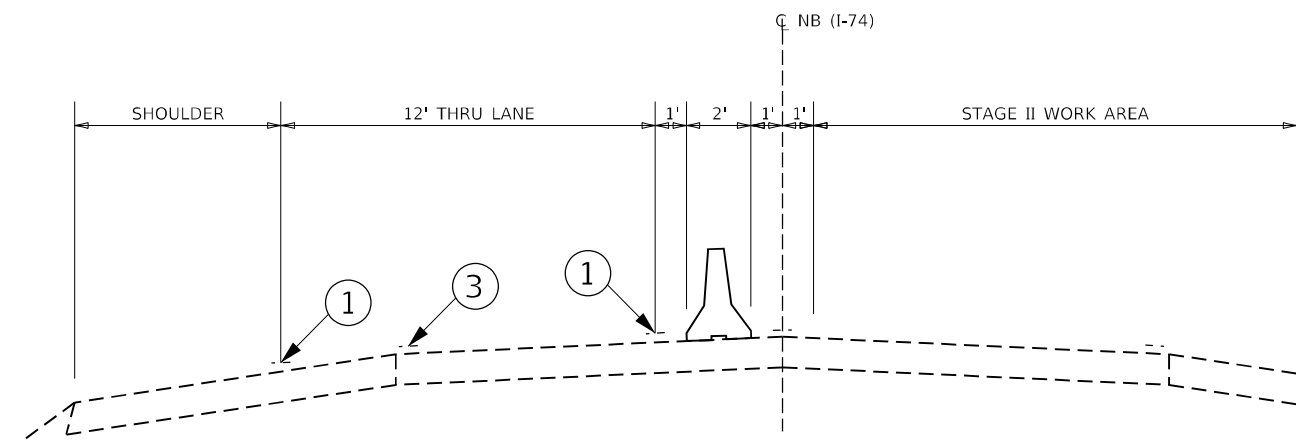
STAGE I



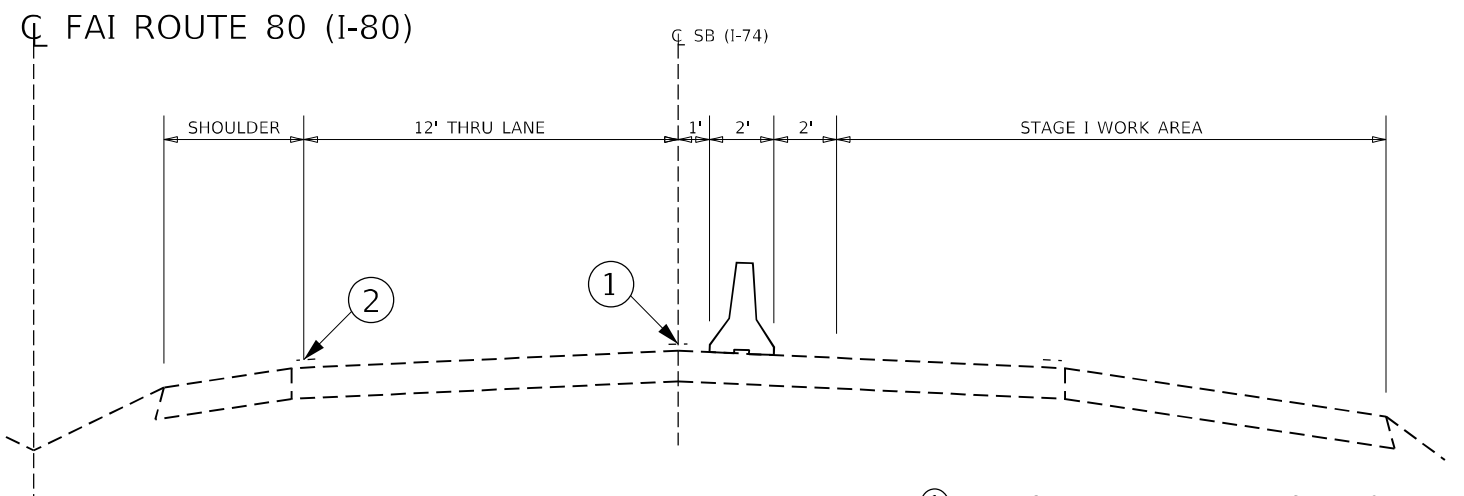
STAGE II



STAGE II



STAGE I



- ① TEMPORARY PAVEMENT MARKING TAPE SHALL BE PLACED THROUGHOUT THE TAPER AND ALONG-SIDE THE WORK AREA. THE RIGHT EDGE LINE SHALL BE WHITE AND THE LEFT EDGE LINE SHALL BE YELLOW.
- ② EXISTING PAVEMENT MARKING LINE
- ③ BLACKOUT TAPE TO COVER CONFLICTING EXISTING PAVEMENT MARKING LINES

MODEL: Default
 FILE NAME: p:\pub\amr\room.d\at\illinois.gov\PIWDOT\Documents\DOT_Offices\District 2\Projects\Operations\Briaridge_Section\Henry037-0013_037-0014\64P75\CADD\64P75-shf-covet.dgn

USER NAME = drossd	DESIGNED - _____	REVISED - _____
DRAWN - _____	REVISOR - _____	REVISOR - _____
PLOT SCALE = 40,0000 * / in.	CHECKED - _____	REVISOR - _____
PLOT DATE = Mar-03-2021 09:36:16 AM	DATE - _____	REVISOR - _____

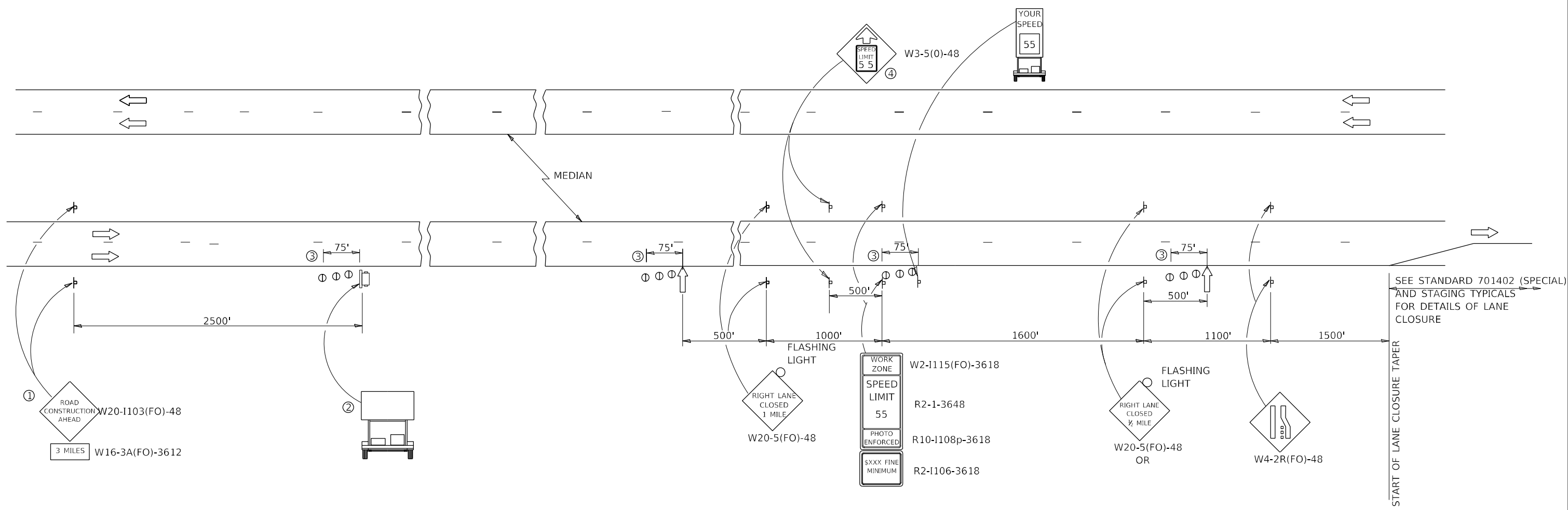
STATE OF ILLINOIS
DEPARTMENT OF TRANSPORTATION

STAGING TYPICALS

SCALE: _____ SHEET _____ OF _____ SHEETS STA. _____ TO STA. _____

F.A.I. RTE.	SECTION	COUNTY	TOTAL SHEETS	SHEET NO.
74	(37-4B)BP	HENRY	7	5
CONTRACT NO. 64P75				
ILLINOIS FED. AID PROJECT				

MODEL: Default
 FILE NAME: \\harcourt-dot-illinois-dot-gov-PWDOT\Documents\DOT_Offices\District_2\Projects\Operations\Briago_Section\Henry\037-0013 & 037-0014\64P75\CADD\64P75-shit-cover.dgn



- ① THE ROAD CONSTRUCTION AHEAD SIGN SHALL BE LOCATED 3 MILES IN ADVANCE OF THE PROJECT LIMITS.
- ② TO BE PLACED IN THE MEDIAN WHEN FEASIBLE. THE MESSAGE BOARD SHALL BE USED TO DISPLAY STATUS OF LANES WITHIN THE PROJECT. THE PRIMARY MESSAGES SHALL BE:
 "RIGHT LANE CLOSED" / " x MILES AHEAD"
 "LEFT LANE CLOSED" / " x MILES AHEAD"
 "ALL LANES OPEN"
- ③ THREE, TYPE II BARRICADES, DRUMS, OR VERTICAL BARRICADES AT 25' CENTERS.
- ④ THIS SIGN SHALL ONLY BE USED IF THE EXISTING SPEED LIMIT IS GREATER THAN 65 MPH.

- ARROW BOARD
- PORTABLE CHANGEABLE MESSAGE SIGN
- SIGN
- TYPE II BARRICADE, DRUM, OR VERTICAL BARRICADE WITH MONODIRECTIONAL FLASHING LIGHT
- TRAILER MOUNTED SPEED DISPLAY SIGN

GENERAL NOTE:

THIS STANDARD IS USED WHERE AT ANY TIME A LANE IS CLOSED ON A FREEWAY/EXPRESSWAY.

WHEN THE LEFT LANE IS CLOSED, LEFT LANE CLOSED SIGNS SHALL BE SUBSTITUTED FOR THE RIGHT LANE CLOSED SIGNS.

THE FIRST TWO SIGNS AND THE MESSAGE BOARD ARE STATIONARY. THE OTHER SIGNS AND ARROWBOARDS SHALL BE MOVED AS NECESSARY TO MAINTAIN THE REQUIRED DISTANCE FROM THE START OF THE LANE CLOSURE TAPER(S).

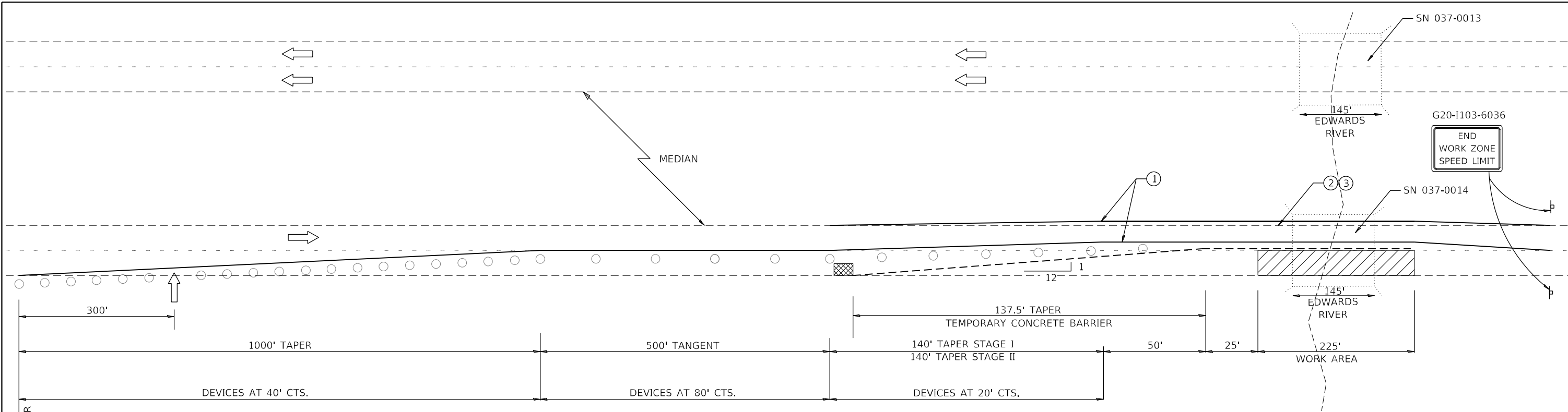
USER NAME = dossdd	DESIGNED - _____	REVISED - _____
DRAWN - _____	REVISOR - _____	REVISOR - _____
PLOT SCALE = 40,0000 * / in.	CHECKED - _____	REVISOR - _____
PLOT DATE = Mar-03-2021 09:36:26 AM	DATE - _____	REVISOR - _____

**STATE OF ILLINOIS
DEPARTMENT OF TRANSPORTATION**

**TRAFFIC CONTROL & PROTECTION, STANDARD 701400 (SPECIAL)
FOR SN 037-0013 & 0014 (I-74 OVER EDWARDS RIVER)**

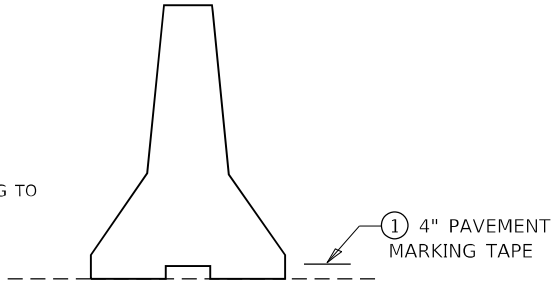
F.A.I. RTE.	SECTION	COUNTY	TOTAL SHEETS	SHEET NO.
74	(37-4B)BP	HENRY	7	6
CONTRACT NO. 64P75				
ILLINOIS FED. AID PROJECT				

SCALE: _____ SHEET _____ OF _____ SHEETS STA. _____ TO STA. _____



SEE STANDARD 701400 (SPECIAL) FOR APPROACH START OF LANE CLOSURE TAPER

*NO EQUIPMENT OR MATERIALS SHALL ENCR OACH WITHIN A DISTANCE OF 2'-0" AS MEASURED FROM THE BASE OF THE TEMPORARY CONCRETE BARRIER TO THE ϕ OF ROADWAY



TEMPORARY CONCRETE BARRIER

SYMBOLS

- ARROW BOARD
- WORK AREA
- SIGN
- TRAFFIC CONTROL DRUM WITH STEADY BURN MONODIRECTIONAL LIGHT
- TEMPORARY CONCRETE BARRIER
- IMPACT ATTENUATOR, TEMPORARY (NON-REDIRECTIVE), TEST LEVEL 3

- ① TEMPORARY PAVEMENT MARKING TAPE SHALL BE PLACED THROUGHOUT THE TAPER AND ALONG-SIDE THE WORK AREA. THE RIGHT EDGE LINE SHALL BE WHITE AND THE LEFT EDGE LINE SHALL BE YELLOW.
- ② EXISTING PAVEMENT MARKING LINE
- ③ BLACKOUT TAPE TO COVER CONFLICTING EXISTING PAVEMENT MARKING LINES

PAVEMENT MARKINGS

ALL TEMPORARY PAVEMENT MARKING SHALL BE, PAVEMENT MARKING TAPE, TYPE IV 4" AND THE MATERIALS SHALL BE ACCORDING TO ARTICLE 1095.06 OF THE STANDARD AND SPECIFICATIONS. THE CONTRACTOR SHALL INSTALL, MAINTAIN AND REMOVE ALL TEMPORARY PAVEMENT MARKING TAPE. THIS WORK SHALL NOT BE PAID SEPERATELY AND SHALL BE INCLUDED IN THE COST OF THE "TRAFFIC CONTROL AND PROTECTION STANDARD 701402 (SPECIAL)".

ALL CONFLICTING PAVEMENT MARKINGS AND RAISED REFLECTIVE PAVEMENT MARKERS SHALL BE PROTECTED PRIOR TO COVERING WITH PAVEMENT MARKING BLACKOUT TAPE, 4". PAVEMENT MARKING BLACKOUT TAPE, 4" SHALL EXTEND A MINIMUM OF 2 INCHES BEYOND THE EXISTING MARKINGS OR REFLECTORS IN ALL DIRECTIONS. THIS WORK SHALL INCLUDE PROTECTING EXISTING PAVEMENT MARKINGS AND RAISED REFLECTIVE PAVEMENT MARKERS, INSTALLING, MAINTAINING AND REMOVING BLACKOUT TAPE. THIS WORK SHALL NOT BE PAID SEPERATELY AND SHALL BE INCLUDED IN THE COST OF THE "TRAFFIC CONTROL AND PROTECTION STANDARD 701402 (SPECIAL)".

GENERAL NOTES

THIS STANDARD IS USED WHERE AT ANY TIME ANY VEHICLE, EQUIPMENT, WORKERS OR THEIR ACTIVITIES WILL ENCR OACH ON THE PAVEMENT OR ON THE SHOULDER WITHIN 24 (600) OF THE EDGE OF PAVEMENT FOR DAYLIGHT OPERATION EXCEEDING ONE DAY AND WHERE TEMPORARY CONCRETE BARRIER IS UTILIZED.

THIS STANDARD MUST ALWAYS BE USED IN COMBINATION WITH STANDARD 701400.

TEMPORARY CONCRETE BARRIER SHALL BE ACCORDING TO STANDARD 704001.

MODEL: Default FILE NAME: p:\pub\mranon.dwt\illinois\dot\Documents\DOT_Offices\Distric 2\Projects\Operations\Briago_SectionHenry\037-0013 & 037-0014\64P75\CAD\Briago\037-0013-0014.dgn

USER NAME = drossdd	DESIGNED - _____	REVISED - _____
PLOT SCALE = 40,0000 * / in.	DRAWN - _____	REVISED - _____
PLOT DATE = Mar-10-2021 08:24:15 AM	CHECKED - _____	REVISED - _____
	DATE - _____	REVISED - _____

STATE OF ILLINOIS
DEPARTMENT OF TRANSPORTATION

TRAFFIC CONTROL & PROTECTION, STANDARD 701402 (SPECIAL) FOR SN 037-0013 & 0014 (I-74 OVER EDWARDS RIVER)	
SCALE: _____	SHEET _____ OF _____ SHEETS STA. _____ TO STA. _____

F.A.I. RTE.	SECTION	COUNTY	TOTAL SHEETS	SHEET NO.
74	(37-4B)BP	HENRY	7	7
CONTRACT NO. 64P75				
ILLINOIS FED. AID PROJECT				