

STATE OF ILLINOIS  
DEPARTMENT OF TRANSPORTATION

F.A.P. ROUTE	SECTION	COUNTY	TOTAL SHEETS	SHEET NO.
726	116CR-1	PULASKI	10	1
		ILLINOIS	CONTRACT NO. 78855	

FOR INDEX OF SHEETS, SEE SHEET NO. 3

FOR SUMMARY OF QUANTITIES, SEE SHEET NO. 4 - 5

**TRAFFIC DATA**

IL 37  
2021 ADT: 1480  
%TRUCK: 9.5%

**TOWNSHIP**

GRAND CHAIN  
T.15S.  
R.2E.

KARNAK  
T.14S.  
R.2E.

**POSTED SPEED**

IL 37: 55MPH

PROJECT LOCATION  
PROPOSED PIPE CULVERT, CLASS A, TYPE 1 36"  
IL 37 STA. 1697+00

J.U.L.I.E.  
JOINT UTILITY LOCATION INFORMATION FOR EXCAVATION  
1-800-892-0123  
OR 811

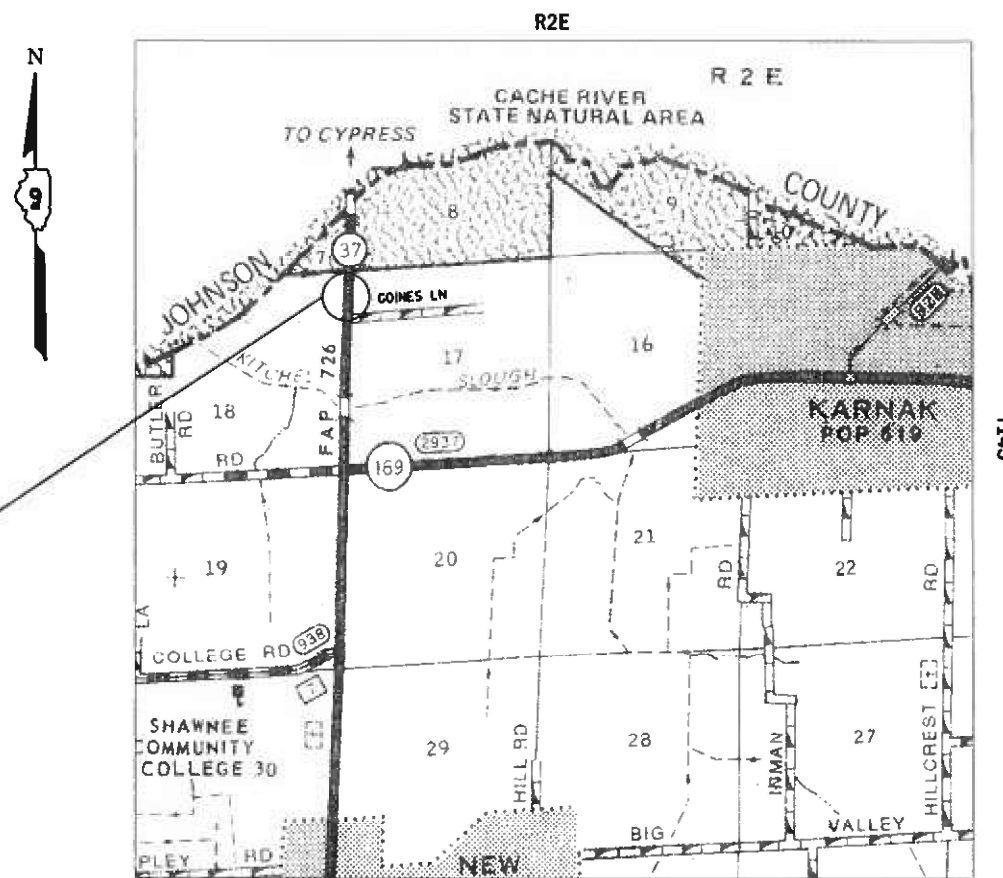
PROJECT ENGINEER: MICHAEL STEPHENSON  
PROJECT DESIGNER: DAVID WILSON

CONTRACT NO. 78855

**PROPOSED  
HIGHWAY PLANS**

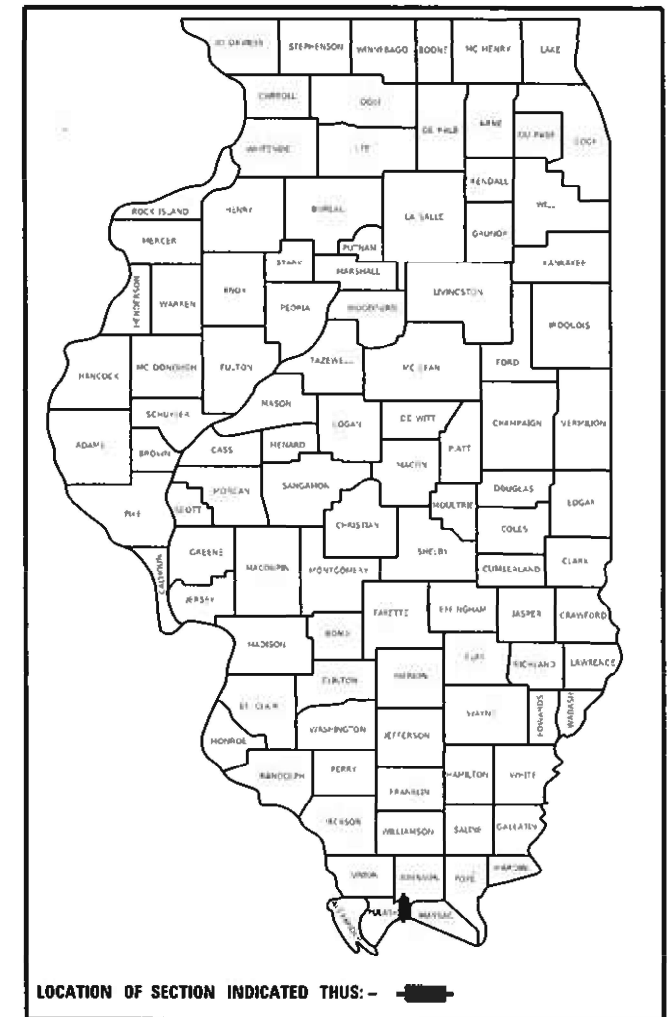
F.A.P ROUTE 726 (IL 37)  
SECTION 116CR-1  
PIPE CULVERT REPLACEMENT  
PULASKI COUNTY

C-99-043-21



GROSS LENGTH = 10 FT. = 0.002 MILE  
NET LENGTH = 10 FT. = 0.002 MILE

D-99-032-21



STATE OF ILLINOIS  
DEPARTMENT OF TRANSPORTATION

SUBMITTED 03-10-2021

*KRS*

REGION FIVE ENGINEER

May 7, 2021

*Scott A. Elk*  
ENGINEER OF DESIGN AND ENVIRONMENT

May 7, 2021

*James J. Jan*  
DIRECTOR OF HIGHWAYS PROJECT IMPLEMENTATION 13

PRINTED BY THE AUTHORITY  
OF THE STATE OF ILLINOIS



### GENERAL NOTES

AT ALL LOCATIONS WHERE EXISTING HOT-MIX ASPHALT OR CONCRETE PAVEMENT JOINS AN EXISTING HOT-MIX ASPHALT OR CONCRETE PAVEMENT, A FULL DEPTH SAWED JOINT SHALL BE CONSTRUCTED. THE COST OF THIS JOINT WILL BE INCLUDED IN THE COST OF THE TYPE OF PAVEMENT BEING CONSTRUCTED.

FACTORS USED FOR ESTIMATING PLAN QUANTITIES ARE AS FOLLOWS AND SHALL NOT BE USED FOR THE BASIS OF FINAL QUANTITIES:

ALL AGGREGATE  
2.05 TONS/ CU. YD.

ALL EARTH EXCAVATION SHALL BE INCLUDED IN THE COST OF PIPE CULVERTS, CLASS A.

REMOVE CONCRETE END SECTION CONSISTS OF REMOVING A CONCRETE END SECTION AT THE END OF A 36" CMP.

COMMITMENTS: NONE

### INDEX OF SHEETS

<u>SHEET NO.</u>	<u>DESCRIPTION</u>
1	COVER SHEET
2	SIGNATURE SHEET
3	INDEX OF SHEETS, STANDARDS AND GENERAL NOTES
4-5	SUMMARY OF QUANTITIES
6	TYPICAL SECTION
7	TYPICAL PROFILE VIEW OF CULVERT
8	GENERAL PLAN
9	CULVERT CROSS SECTION
10	DISTRICT STANDARDS

### STANDARDS

000001-08	STANDARD SYMBOLS, ABBREVIATIONS AND PATTERNS
001001-02	AREAS OF REINFORCEMENT BARS
001006	DECIMAL OF AN INCH AND OF A FOOT
420001-09	PAVEMENT JOINTS
420701-03	PAVEMENT WELDED WIRE REINFORCEMENT
542301-03	PRECAST REINFORCED CONCRETE FLARED END SECTION
701201-05	LANE CLOSURE, 2L, 2W, DAY ONLY, FOR SPEEDS = 45 MPH
701901-08	TRAFFIC CONTROL DEVICES
780001-05	TYPICAL PAVEMENT MARKINGS
BLR 21-9	TYPICAL APPLICATION OF TRAFFIC CONTROL DEVICES FOR CONSTRUCTION ON RURAL LOCAL HIGHWAYS
420101-06	24' JOINTED PCC PAVEMENT

REV. - MS

MODEL: D:\draft  
 FILE NAME: p:\highwaycom\data\illinois.gov\PWD\DOT\Documents\DOT Offices\District 9\Projects\78855\CA0Data\CAD\Sheet\0778855\_Sheets.dgn

USER NAME = WILSONDA PLOT SCALE = 100.0000' / in. PLOT DATE = 3/10/2021	DESIGNED - _____ DRAWN - _____ CHECKED - _____ DATE - _____	REVISED - _____ REVISED - _____ REVISED - _____ REVISED - _____	STATE OF ILLINOIS DEPARTMENT OF TRANSPORTATION	INDEX OF SHEETS, STANDARDS AND GENERAL NOTES	F.A.P. RTE. 726    SECTION 116CR-1    COUNTY PULASKI    TOTAL SHEETS 10    SHEET NO. 3 CONTRACT NO. 78855 ILLINOIS FED. AID PROJECT
			SCALE: _____ SHEET ____ OF ____ SHEETS STA. _____ TO STA. _____		

# SUMMARY OF QUANTITIES

COUNTY: **PULASKI**  
 ROUTE: **FAP 726**  
 FUNDING: **100% STATE**  
 LOCATION: **RURAL**

CODE NUMBER	ITEM DESCRIPTION	UNIT	
			<b>0004</b>
20800150	TRENCH BACKFILL	CU YD	25
25000200	SEEDING, CLASS 2	ACRE	0.1
25000400	NITROGEN FERTILIZER NUTRIENT	POUND	0.5
25000500	PHOSPHORUS FERTILIZER NUTRIENT	POUND	0.5
25000600	POTASSIUM FERTILIZER NUTRIENT	POUND	0.5
25000700	AGRICULTURAL GROUND LIMESTONE	TON	0.1
25100630	EROSION CONTROL BLANKET	SQ YD	27
28000250	TEMPORARY EROSION CONTROL SEEDING	POUND	0.5
28100107	STONE RIPRAP, CLASS A4	SQ YD	4
28200200	FILTER FABRIC	SQ YD	4
42000060	WELDED WIRE REINFORCEMENT	SQ YD	28
42000501	PORTLAND CEMENT CONCRETE PAVEMENT 10" (JOINTED)	SQ YD	28
44000100	PAVEMENT REMOVAL	SQ YD	28
48100700	AGGREGATE SHOULDERS, TYPE A 8"	SQ YD	7

MODEL: Default  
 FILE NAME: pulaski\commodat\illinois\puls\DOT\Documents\DOT Office\District 9\Projects\7885\CAD\Drawings\DOT\7885-Sheets.dwg

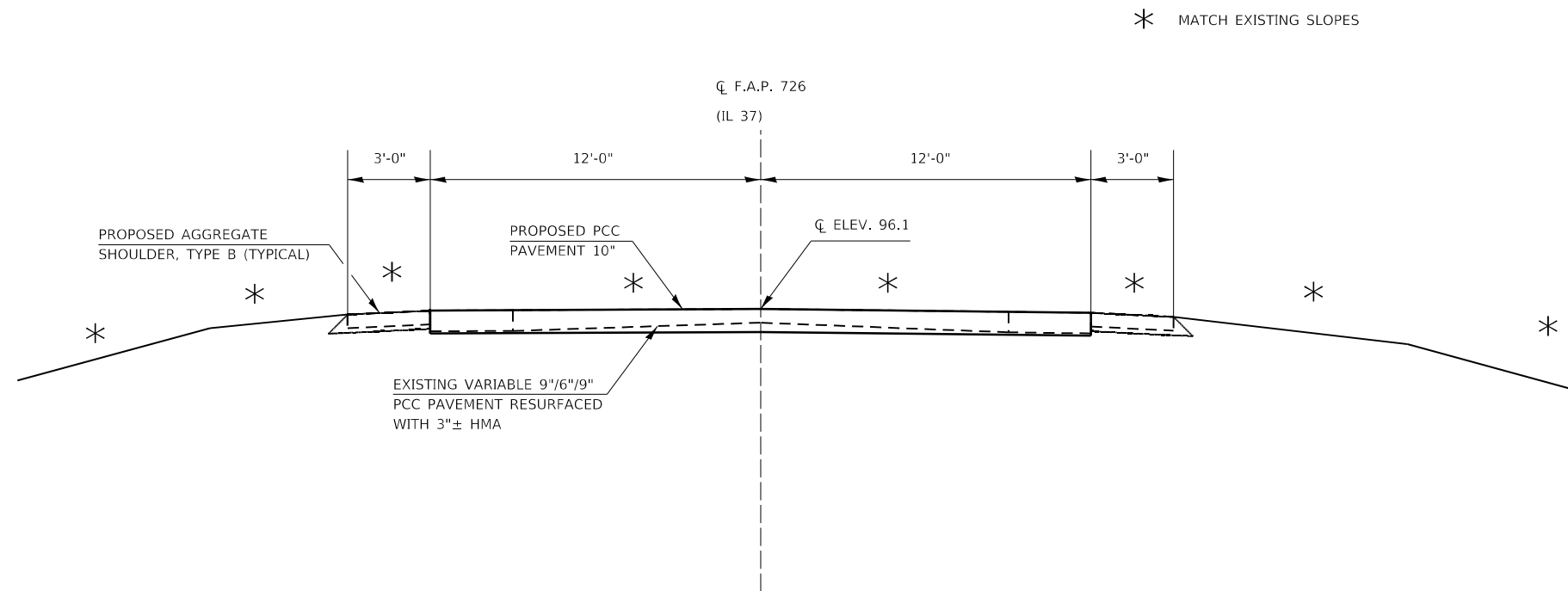
# SUMMARY OF QUANTITIES - CONT

COUNTY: PULASKI  
 ROUTE: FAP 726  
 FUNDING: 100% STATE  
 LOCATION: RURAL

CODE NUMBER	ITEM DESCRIPTION	UNIT	0004
50105220	PIPE CULVERT REMOVAL	FOOT	48
542A0241	PIPE CULVERTS, CLASS A, TYPE 1 36"	FOOT	44
54213681	PRECAST REINFORCED CONCRETE FLARED END SECTIONS 36"	EACH	2
54247170	GRATING FOR CONCRETE FLARED END SECTION 36"	EACH	2
67000400	ENGINEER'S FIELD OFFICE, TYPE A	CAL MO	1
67100100	MOBILIZATION	L SUM	1
70100450	TRAFFIC CONTROL AND PROTECTION, STANDARD 701201	L SUM	1
70103815	TRAFFIC CONTROL SURVEILLANCE	CAL DA	3
70107025	CHANGEABLE MESSAGE SIGN	CAL DA	34
* 78001110	PAINT PAVEMENT MARKING - LINE 4"	FOOT	30
X5010523	REMOVE CONCRETE END SECTION	EACH	2
X7011800	TRAFFIC CONTROL AND PROTECTION, STANDARD BLR 21	L SUM	1

\* SPECIALTY ITEM

MODEL: Default  
 FILE NAME: pulaski\commodat\illinois\p\DOT\Documents\DOT\_Offices\District\_9\Projects\78855\CADD\Drawings\07\_78855\_Sheets.dwg



Model: Default  
 File Name: pulaski\concom\data\illinois\pww\dot\Documents\DOT\_Offices\District\_9\Projects\78855\CADD\data\CADD\Sheets\07\78855-Sheets.dwg

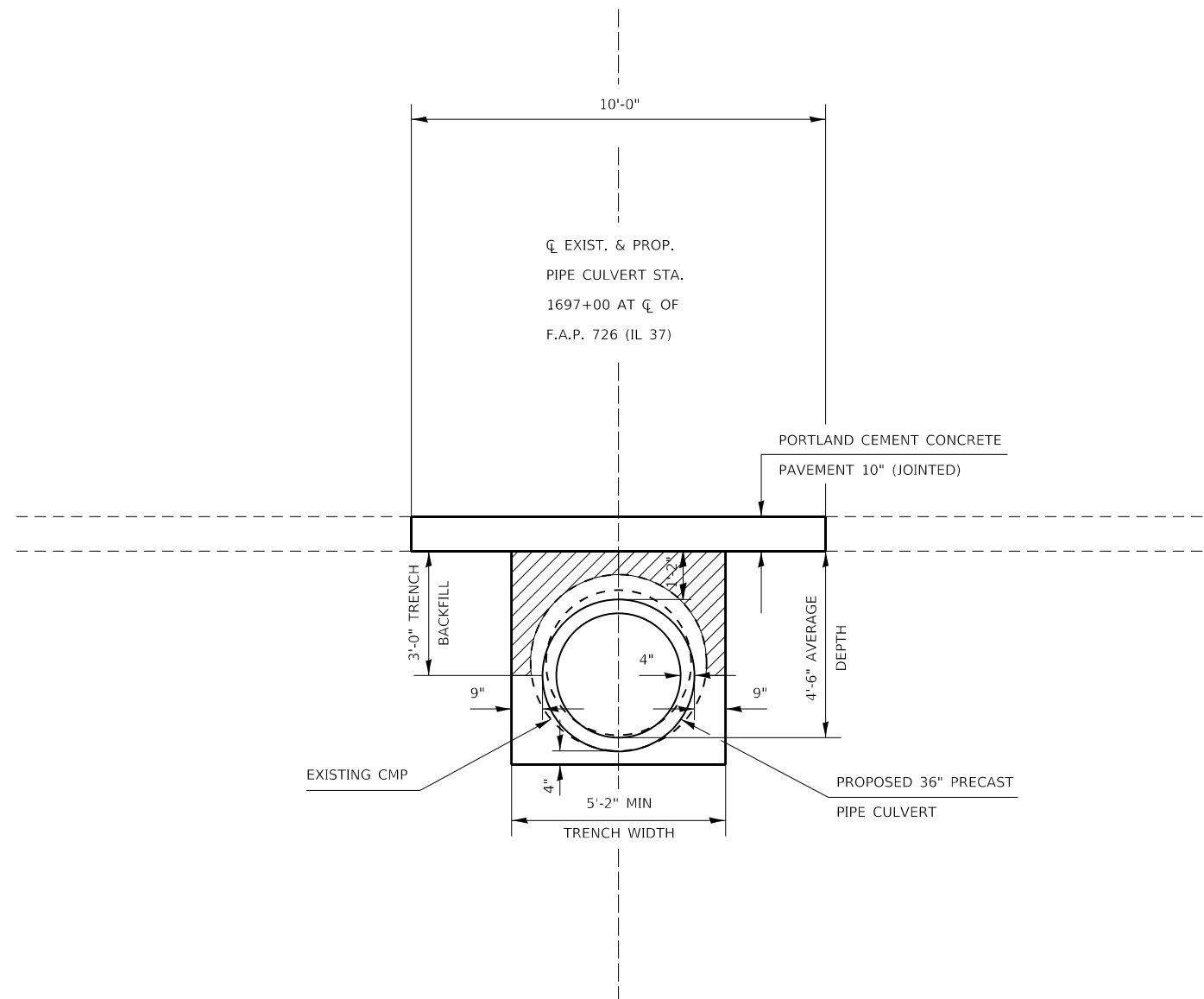
USER NAME = WILSONDA	DESIGNED - _____	REVISED - _____
	DRAWN - _____	REVISED - _____
PLOT SCALE = 6.0000' / in.	CHECKED - _____	REVISED - _____
PLOT DATE = 3/10/2021	DATE - _____	REVISED - _____

**STATE OF ILLINOIS**  
**DEPARTMENT OF TRANSPORTATION**

**TYPICAL SECTION**

SCALE: \_\_\_\_\_ SHEET \_\_\_\_ OF \_\_\_\_ SHEETS STA. \_\_\_\_\_ TO STA. \_\_\_\_\_

F.A.P. RTE. 726	SECTION 116CR-1	COUNTY PULASKI	TOTAL SHEETS 10	SHEET NO. 6
CONTRACT NO. 78855			ILLINOIS FED. AID PROJECT	



Model: Default  
 File Name: pulaskiarcson.mxd  
 Path: \\pulsar\arcson\mxd\116cr\pulsar\pulsar\DOT\Documents\DOT\_Offices\District\_9\Projects\78855\CADD\Sheet\07\_78855\_Sheets.dwg  
 Plot Date: 3/10/2021

USER NAME = WILSONDA	DESIGNED - _____	REVISED - _____
DRAWN - _____	REVISOR - _____	REVISOR - _____
PLOT SCALE = 4.0000' / in.	CHECKED - _____	REVISOR - _____
PLOT DATE = 3/10/2021	DATE - _____	REVISOR - _____

**STATE OF ILLINOIS  
DEPARTMENT OF TRANSPORTATION**

**TYPICAL PROFILE VIEW OF CULVERT**

SCALE: \_\_\_\_\_ SHEET \_\_\_\_\_ OF \_\_\_\_\_ SHEETS STA. \_\_\_\_\_ TO STA. \_\_\_\_\_

F.A.P. RTE.	SECTION	COUNTY	TOTAL SHEETS	SHEET NO.
726	116CR-1	PULASKI	10	7
CONTRACT NO. 78855				
ILLINOIS FED. AID PROJECT				

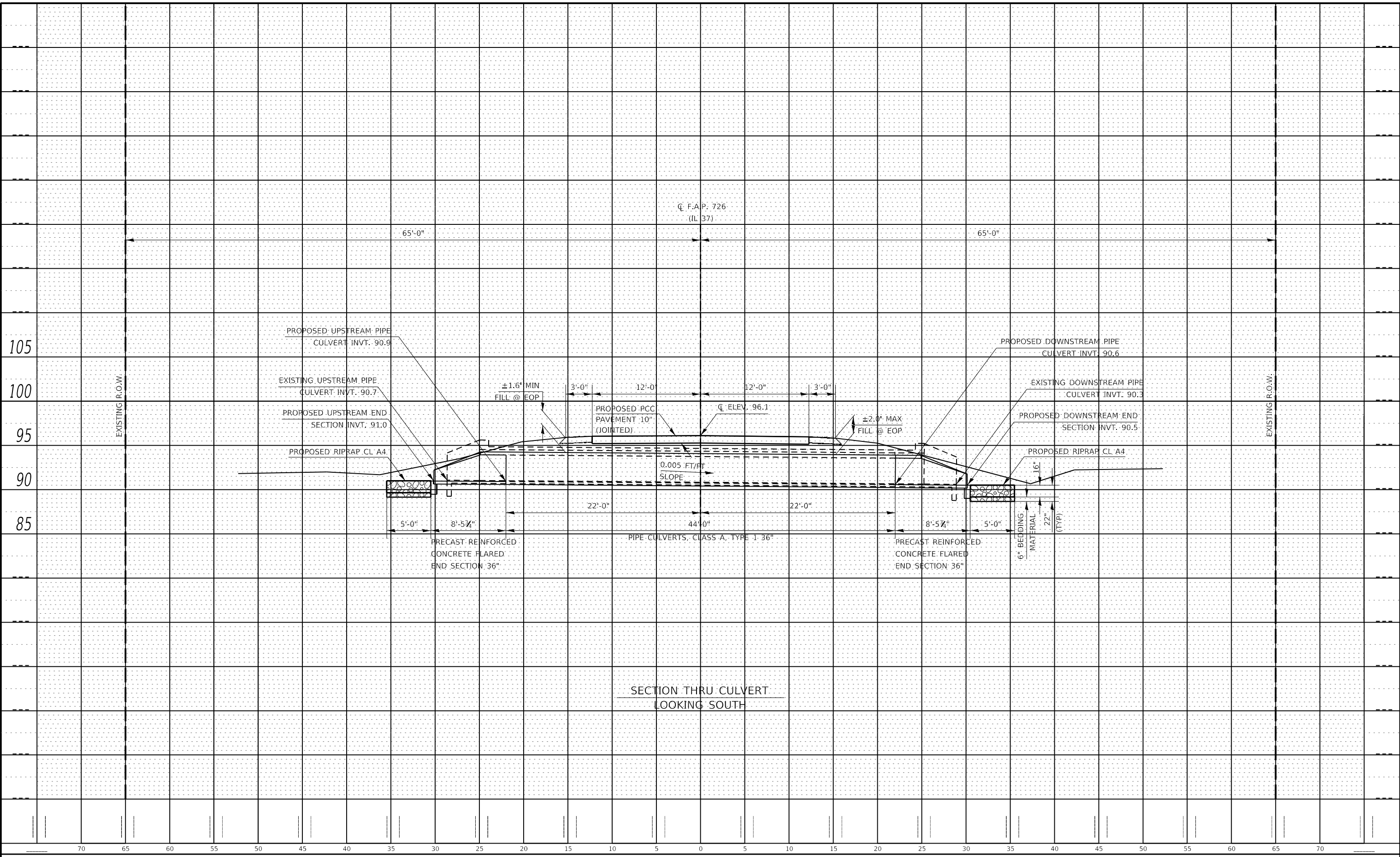




PLAN	SURVEYED	DATE
	PLOTTED	
	ALIGNMENT CHECKED	
	NOTE BOOK	
	NO.	
	CADD FILE NAME	

PROFILE	SURVEYED	DATE
	PLOTTED	
	GRADES CHECKED	
	NOTE BOOK	
	NO.	
	STRUCTURE NOTATION CHKD	

MODEL: Default  
 FILE NAME: p:\work\lansroom.dwg  
 I:\projects\78855\CADD\DOT\Documents\DOT\_Offices\District\_9\projects\78855\CADD\sheet\978855-Sheets.dgn



SECTION THRU CULVERT  
 LOOKING SOUTH

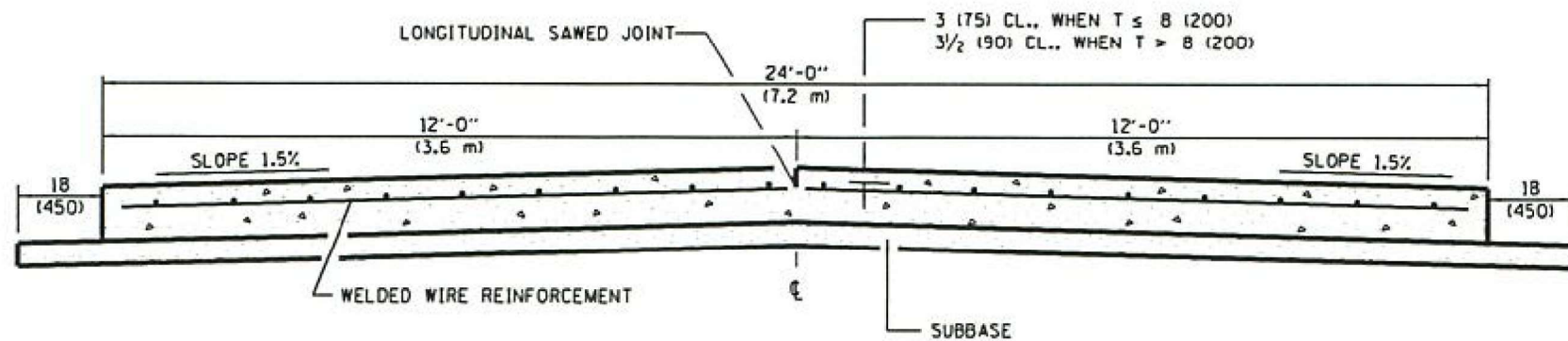
USER NAME = WILSONDA	DESIGNED - _____	REVISED - _____
PLOT SCALE = 10.0000' / in.	DRAWN - _____	REVISED - _____
PLOT DATE = 3/10/2021	CHECKED - _____	REVISED - _____
	DATE - _____	REVISED - _____

**STATE OF ILLINOIS  
 DEPARTMENT OF TRANSPORTATION**

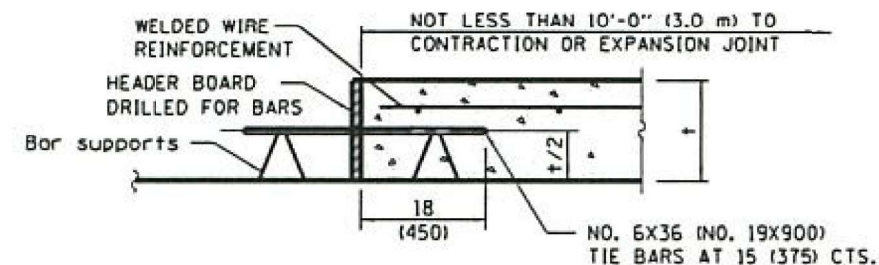
<b>CULVERT CROSS SECTION</b>	
SCALE: _____	SHEET _____ OF _____ SHEETS
STA. _____	TO STA. _____

F.A.P. RTE. 726	SECTION 116CR-1	COUNTY PULASKI	TOTAL SHEETS 10	SHEET NO. 9
CONTRACT NO. 78855				
ILLINOIS FED. AID PROJECT				

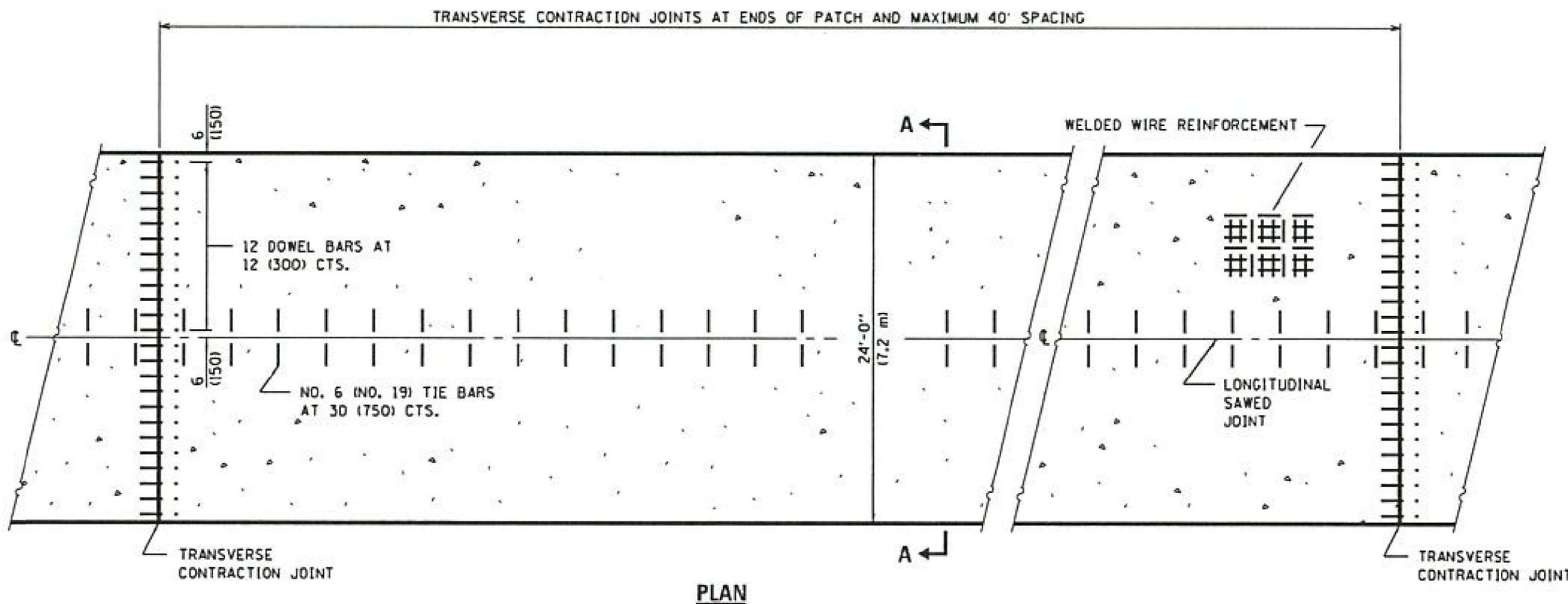
# 24' (7.2 m) PCC PAVEMENT OVER BOX CULVERT



**SECTION A-A**  
(TYPICAL 2-LANE WITH SHOULDERS)



**TRANSVERSE CONSTRUCTION JOINT**  
(IF NEEDED PER STANDARD SPECIFICATIONS)



**PLAN**

**GENERAL NOTES**

- SEE STANDARD 420001 FOR DETAILS NOT SHOWN.
- SEE STANDARD 420701 FOR WELDED WIRE REINFORCEMENT DETAILS.
- ALL DIMENSIONS ARE IN INCHES (MILLIMETERS) UNLESS OTHERWISE SHOWN.
- ACTUAL DIMENSIONS TO MATCH FIELD CONDITIONS AND CONSTRUCTION METHODS.

**REVISIONS**

DRAWN	11-9-17
REVISED	7-23-18

STD. 9-25

MODEL: Default  
FILE NAME: pulaski\pav\pav\DOT\Documents\DOT Office\Drawings\Projects\78855\CADD\Drawings\DOT\78855-Sheets.dwg

USER NAME = WILSONDA	DESIGNED - _____	REVISED - _____	
	DRAWN - _____	REVISED - _____	
PLOT SCALE = 100,0000' / in.	CHECKED - _____	REVISED - _____	
PLOT DATE = 3/10/2021	DATE - _____	REVISED - _____	

**STATE OF ILLINOIS  
DEPARTMENT OF TRANSPORTATION**

**DISTRICT STANDARDS**

SCALE: \_\_\_\_\_ SHEET \_\_\_\_\_ OF \_\_\_\_\_ SHEETS STA. \_\_\_\_\_ TO STA. \_\_\_\_\_

F.A.P. RTE.	SECTION	COUNTY	TOTAL SHEETS	SHEET NO.
726	116CR-1	PULASKI	10	10
CONTRACT NO. 78855				
ILLINOIS FED. AID PROJECT				