

STATE OF ILLINOIS  
DEPARTMENT OF TRANSPORTATION

PROPOSED  
HIGHWAY PLANS

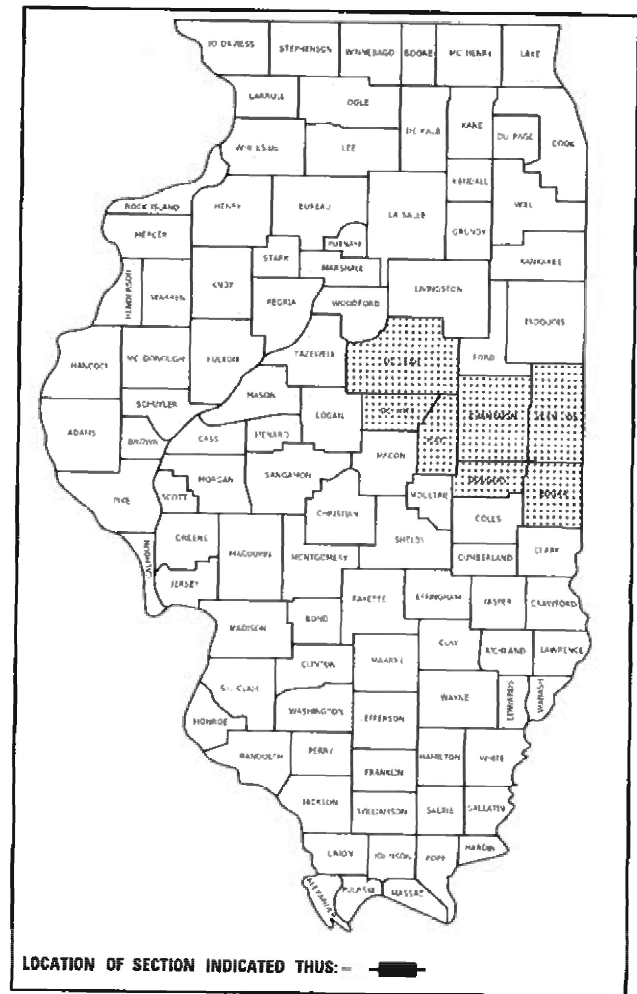
VARIOUS ROUTES  
SECTION D5 GR & FENCE REPAIR 2021-1  
PROJECT  
GUARDRAIL & FENCE REPAIR  
VARIOUS COUNTIES

C-95-040-21

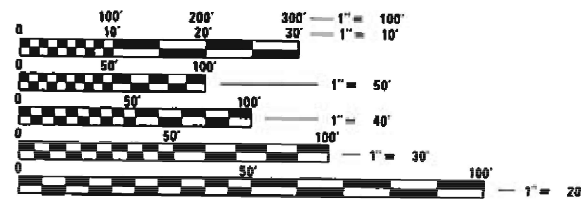
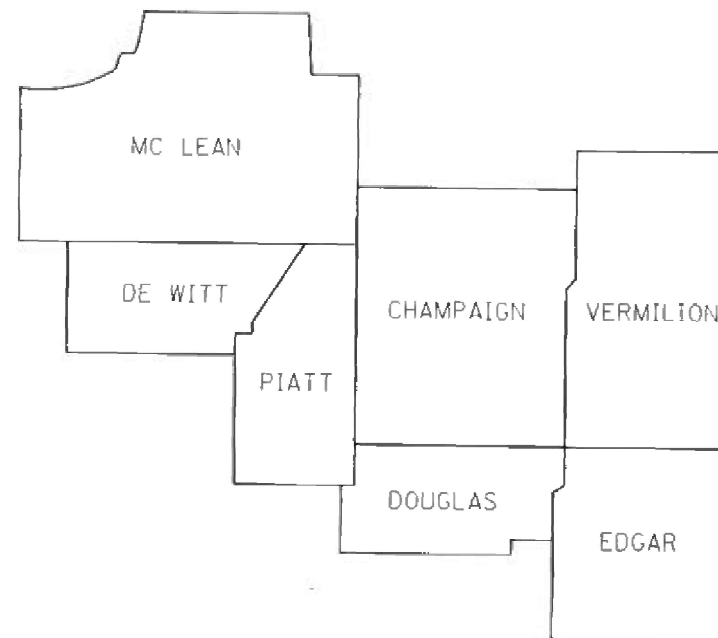
STATE	SECTION	COUNTY	TOTAL SHEETS	SHEET NO.
ILLINOIS	VARIOUS	VARIOUS	10	1

\* D5 GR & FENCE REPAIR 2021-1

D-95-022-21



FOR INDEX OF SHEETS, SEE SHEET NO. 2  
FOR SUMMARY OF QUANTITIES, SEE SHEET NO. 3-6



FULL SIZE PLANS HAVE BEEN PREPARED USING STANDARD ENGINEERING SCALES. REDUCED SIZED PLANS WILL NOT CONFORM TO STANDARD SCALES. IN MAKING MEASUREMENTS ON REDUCED PLANS, THE ABOVE SCALES MAY BE USED.

J.U.L.I.E.  
JOINT UTILITY LOCATION INFORMATION FOR EXCAVATION  
1-800-892-0123  
OR 811

PROJECT ENGINEER: JASON STULTS  
PROJECT LEADER: RYAN CARROLL  
DESIGNER: AARON FARNHAM  
PHONE NUMBER: 217-465-4181  
CONTRACT NO. 70F33

STATE OF ILLINOIS  
DEPARTMENT OF TRANSPORTATION

SUBMITTED 3-2 20 21  
*Keril A. Samaras*  
REGIONAL ENGINEER

May 7, 2021 *Jason Stults*  
ENGINEER OF DESIGN AND ENVIRONMENT

May 7, 2021 *James J. Quinn*  
DIRECTOR OF HIGHWAYS PROJECT IMPLEMENTATION 13

PRINTED BY THE AUTHORITY  
OF THE STATE OF ILLINOIS



**SUMMARY OF QUANTITIES**

CODE NO.	DESCRIPTION	UNIT	TOTAL QUANTITY	LOCATION:	VARIOUS	VARIOUS	VARIOUS
				VARIOUS ROUTES	VARIOUS ROUTES	VARIOUS ROUTES	
				COUNTY:	VARIOUS	VARIOUS	VARIOUS
				FUNDING BREAKOUT:	100% STATE	100% STATE	100% STATE
				CONSTRUCTION CODE:	0021	0021	0021
					MCHD	CONTRACT MAINT	HTCB
63000001	STEEL PLATE BEAM GUARDRAIL, TYPE A, 6 FOOT POSTS	FOOT	100.0		75.0	25.0	
63100045	TRAFFIC BARRIER TERMINAL, TYPE 2	EACH	4.0		2.0	2.0	
63100070	TRAFFIC BARRIER TERMINAL, TYPE 5	EACH	1.0		1.0		
63100085	TRAFFIC BARRIER TERMINAL, TYPE 6	EACH	1.0		1.0		
63100087	TRAFFIC BARRIER TERMINAL, TYPE 6A	EACH	1.0		1.0		
63100089	TRAFFIC BARRIER TERMINAL, TYPE 6B	EACH	1.0		1.0		
63100105	TRAFFIC BARRIER TERMINAL, TYPE 10	EACH	1.0		1.0		
63100167	TRAFFIC BARRIER TERMINAL, TYPE 1 (SPECIAL) TANGENT	EACH	28.0		17.0	11.0	
63400105	GUARD POSTS	EACH	10.0		10.0		
64300260	IMPACT ATTENUATORS (FULLY REDIRECTIVE, NARROW), TEST LEVEL 3	EACH	1.0		1.0		
64300370	IMPACT ATTENUATORS (FULLY REDIRECTIVE, WIDE), TEST LEVEL 3	EACH	1.0		1.0		
66400105	CHAIN LINK FENCE, 4'	FOOT	300.0		200.0	100.0	
66400305	CHAIN LINK FENCE, 6'	FOOT	450.0		250.0	200.0	
66500105	WOVEN WIRE FENCE, 4'	FOOT	2000		1,500.0	500	

\*SPECIALTY ITEM

MODEL: \$MODELNAME  
 FILE: \$FILEPATH  
 PROJECT: \$PROJECTNAME  
 USER: \$USER  
 DATE: \$DATE  
 TIME: \$TIME

\* D5 GR & FENCE REPAIR 2021-1

USER NAME = farnhamba DESIGNED - DRAWN - PLOT SCALE = 40.0000' / in. CHECKED - PLOT DATE = 3/1/2021 DATE - REVISIONS -	<b>STATE OF ILLINOIS DEPARTMENT OF TRANSPORTATION</b>	<b>SUMMARY OF QUANTITIES</b>	F.A. RTE. SECTION * COUNTY VARIOUS TOTAL SHEETS 10 SHEETS NO. 3 CONTRACT NO. 70F33 ILLINOIS FED. AID PROJECT
SCALE: N/A		SHEET 1 OF 4 SHEETS STA. TO STA.	

**REV. 3/15/21**

**SUMMARY OF QUANTITIES**

CODE NO.	DESCRIPTION	UNIT	TOTAL QUANTITY	LOCATION:	VARIOUS	VARIOUS	VARIOUS
				VARIOUS ROUTES	VARIOUS ROUTES	VARIOUS ROUTES	
				COUNTY:	VARIOUS	VARIOUS	VARIOUS
				FUNDING BREAKOUT:	100% STATE	100% STATE	100% STATE
				CONSTRUCTION CODE:	0021	0021	0021
					MCHD	CONTRACT MAINT	HTCB
66501200	WOVEN WIRE GATES, 4' X 8' DOUBLE	EACH	1.0		1.0		
72501000	TERMINAL MARKER - DIRECT APPLIED	EACH	28.0		14.0	14.0	
78200005	GUARDRAIL REFLECTORS, TYPE A	EACH	14.0		8.0	6.0	
X0325256	REPAIR HIGH TENSION CABLE (BRIFEN)	FOOT	240		40.0		200
X0325258	REPAIR HIGH TENSION CABLE SYSTEM END SECTION (BRIFEN)	EACH	16		1.0		15
X0325260	REPAIR POSTS (BRIFEN)	EACH	36		6.0		30
X0325264	REPAIR IMPACT ATTENUATORS (FULLY REDIRECTIVE, NARROW), TEST LEVEL 3	EACH	1.0		1.0		
X0325899	REPAIR HIGH TENSION CABLE (GIBALTAR)	FOOT	1000		450		550
X0325901	REPAIR POSTS (GIBALTAR)	EACH	650		450		200
X0325975	REPAIR HIGH TENSION CABLE SYSTEM END SECTION (GIBALTAR)	EACH	46		16.0		30
X0326201	REPAIR HIGH TENSION CABLE (TRINITY)	FOOT	550		150.0		400
X0326202	REPAIR POSTS (TRINITY)	EACH	140		100.0		40
X0326203	REPAIR HIGH TENSION CABLE SYSTEM END SECTION (TRINITY)	EACH	17		2.0		15
X2300003	SPLICING HIGH TENSION CABLE (BRIFEN)	EACH	4		1.0		3

\*SPECIALTY ITEM

MODEL: \$MODELNAME  
 FILE: \$MODELNAME.dwg  
 USER: \$USER  
 PLOT DATE: \$PLOTDATE  
 PLOT SCALE: \$PLOTSCALE  
 PLOT SIZE: \$PLOTSIZE  
 PLOT ORIGIN: \$PLOTORIGIN  
 PLOT DEVICE: \$PLOTDEVICE  
 PLOT DEVICE: \$PLOTDEVICE

\* D5 GR & FENCE REPAIR 2021-1

USER NAME = farnhamba	DESIGNED -	REVISED -
	DRAWN -	REVISED -
PLOT SCALE = 40.0000' / in.	CHECKED -	REVISED -
PLOT DATE = 3/1/2021	DATE -	REVISED -

**STATE OF ILLINOIS  
DEPARTMENT OF TRANSPORTATION**

**SUMMARY OF QUANTITIES**

SCALE: N/A SHEET 2 OF 4 SHEETS STA. TO STA.

F.A. RTE.	SECTION	COUNTY	TOTAL SHEETS	SHEET NO.
VAR	*	VARIOUS	10	4
CONTRACT NO. 70F33				
ILLINOIS FED. AID PROJECT				

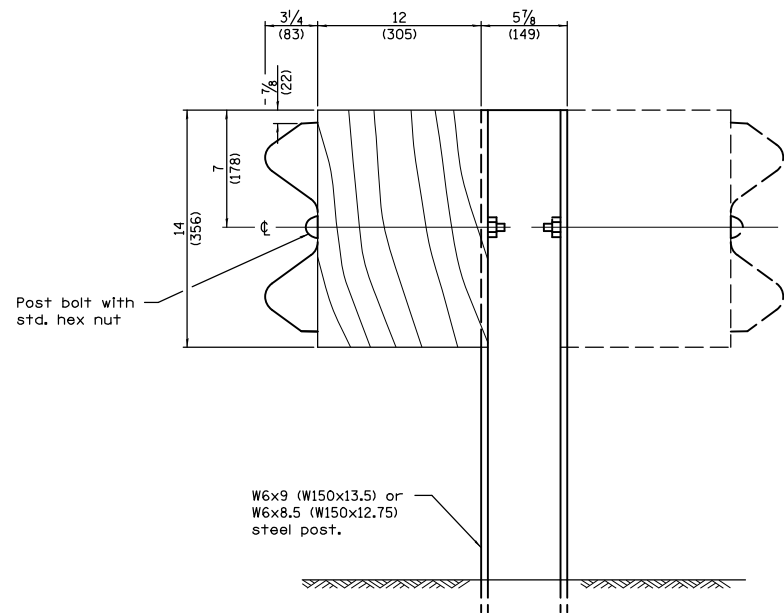
**REV. 3/15/21**



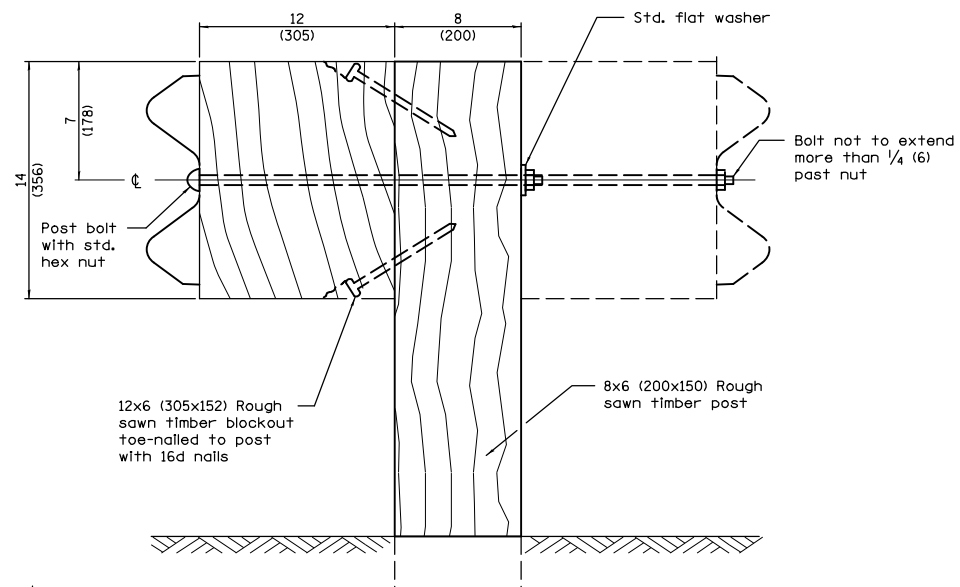




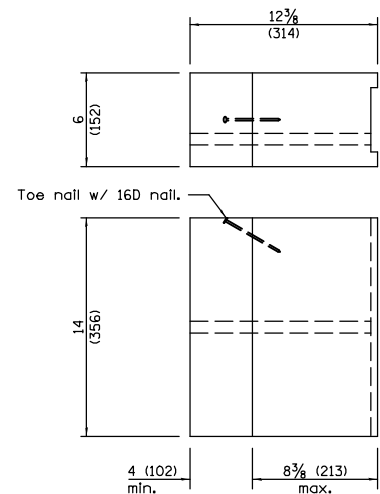




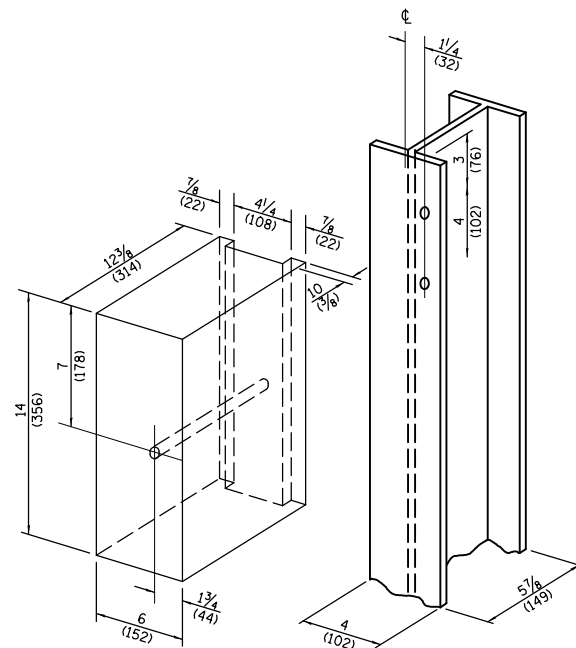
**STEEL POST CONSTRUCTION**



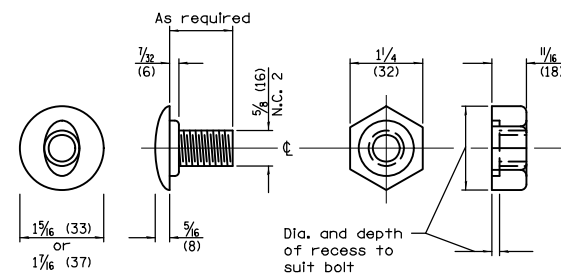
**WOOD POST CONSTRUCTION**



**TWO-PIECE WOOD BLOCKOUT OPTION**



**WOOD BLOCK-OUT AND STEEL POST DETAILS**



**POST OR SPLICE BOLT & NUT**

**STEEL PLATE BEAM GUARDRAIL**  
(Sheet 2 of 4)  
**STANDARD 630001-10**

MODEL: S:\MODEL\NAMES...  
FILE: Model - 27 1/2" Steel Plate Beam Guardrail.dwg  
PROJECT: D:\Projects\2021\2021-03-31\2021-03-31\2021-03-31\2021-03-31.dwg

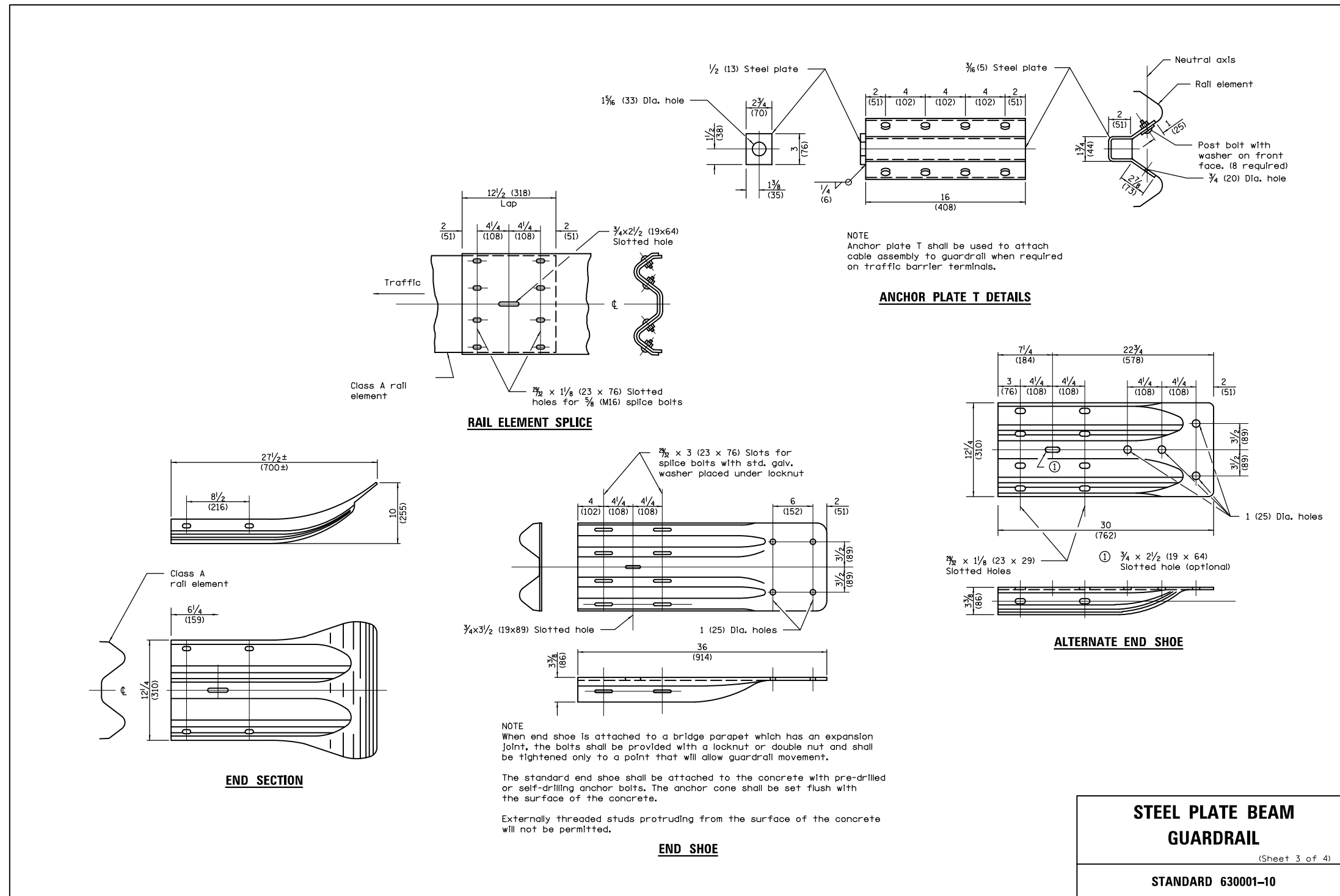
USER NAME = farnhamba	DESIGNED -	REVISED -
PLOT SCALE = 40,0000' / in.	DRAWN -	REVISED -
PLOT DATE = 3/1/2021	CHECKED -	REVISED -
	DATE -	REVISED -

**STATE OF ILLINOIS  
DEPARTMENT OF TRANSPORTATION**

**DETAIL OF 27 1/2" STEEL PLATE BEAM GUARDRAIL**  
SCALE: N/A SHEET 2 OF 4 SHEETS STA. TO STA.

* D5 GR & FENCE REPAIR 2021-1				
RTE.	SECTION	COUNTY	TOTAL SHEETS	SHEET NO.
VAR	*	VARIOUS	10	8
			CONTRACT NO. 70F33	
ILLINOIS FED. AID PROJECT				

MODEL: S:\MODEL\NAMES  
 FILE: Model - 27 1/2" Steel Plate Beam Guardrail.dwg  
 C:\Users\jrbk14\OneDrive\Documents\DOT Office\Bk14\300\01\05\0633\CAD\Drawings\05\05\27 1/2" Steel Plate Beam.dwg



USER NAME = farnhamba	DESIGNED -	REVISED -
PLOT SCALE = 40,0000' / in.	DRAWN -	REVISED -
PLOT DATE = 3/12/2021	CHECKED -	REVISED -
	DATE -	REVISED -

**STATE OF ILLINOIS**  
**DEPARTMENT OF TRANSPORTATION**

**DETAIL OF 27 1/2" STEEL PLATE BEAM GUARDRAIL**  
 SCALE: N/A SHEET 3 OF 4 SHEETS STA. TO STA.

RTE.	SECTION	COUNTY	TOTAL SHEETS	SHEET NO.
VAR		VARIOUS	10	9
ILLINOIS FED. AID PROJECT			CONTRACT NO. 70F33	

\* D5 GR & FENCE REPAIR 2021-1

