

STATE OF ILLINOIS
DEPARTMENT OF TRANSPORTATION

F.A.P. RTE.	SECTION	COUNTY	TOTAL SHEETS	SHEET NO.
667,71	79PP	SANGAMON	13	1
		ILLINOIS	CONTRACT NO. 72G88	

FOR INDEX OF SHEETS, SEE SHEET NO. 2

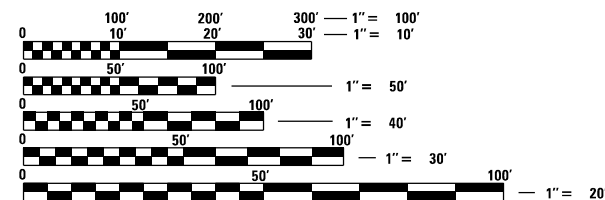
PROPOSED IMPROVEMENTS

FAP 667, 71 (SANGAMON AVE.)
SECTION 79PP
CLASS C PATCHING

SANGAMON CO.
C-96-121-21

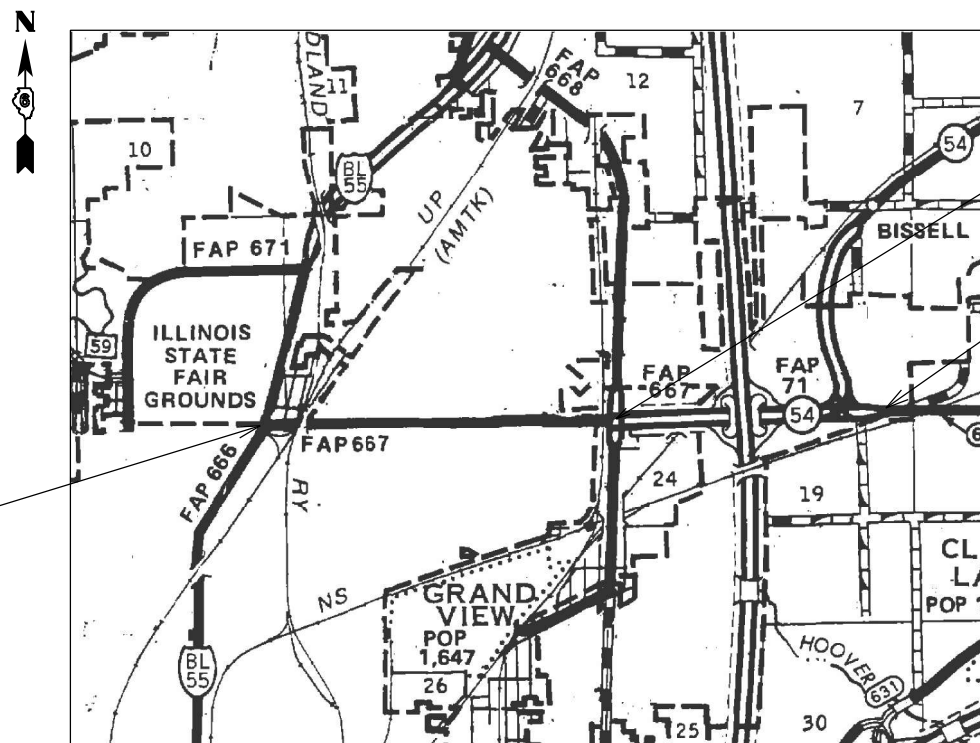


ADT = 10,200 (2019)
SU = 300 (2019)
MU = 150 (2019)



FULL SIZE PLANS HAVE BEEN PREPARED USING STANDARD ENGINEERING SCALES. REDUCED SIZED PLANS WILL NOT CONFORM TO STANDARD SCALES. IN MAKING MEASUREMENTS ON REDUCED PLANS, THE ABOVE SCALES MAY BE USED.

J.U.L.I.E.
JOINT UTILITY LOCATION INFORMATION FOR EXCAVATION
1-800-892-0123
OR 811



BEGIN PROJECT
STA. 8+20.00

STA. EQ. 81+33.19bk
= 10+00.00 ah

END PROJECT
STA. 72+50

GROSS LENGTH = 13,563.19 FT = 2.569 MILES
NET LENGTH = 13,563.19 FT = 2.569 MILES

PROJECT ENGINEER : STEVE BERAN - (217)527-5207
PROJECT MANAGER : TIMOTHY SHARP - (217)524-9160

CONTRACT NO. 72G88

STATE OF ILLINOIS
DEPARTMENT OF TRANSPORTATION

SUBMITTED March 25, 2021

Jeff P. Meyer
REGION FOUR ENGINEER

May 7, 2021
Scott A. Clark
ENGINEER OF DESIGN AND ENVIRONMENT

May 7, 2021
James M. Gurn
DIRECTOR OF HIGHWAYS PROJECT IMPLEMENTATION




PRINTED BY THE AUTHORITY
OF THE STATE OF ILLINOIS

INDEX OF SHEETS

SHEET NO.	DESCRIPTION
1.	COVER SHEET
2.	INDEX OF SHEETS, STANDARDS, GENERAL NOTES & SIGNATURES
3.	SUMMARY OF QUANTITIES
4.	SCHEDULES
5	LOCATION MAPS
6-13.	PROJECT TYPICAL SECTIONS

STANDARDS

STANDARD NO.	DESCRIPTION
000001-08	STANDARD SYMBOLS, ABBREVIATIONS AND PATTERNS
442201-03	CLASS C & D PATCHES
701411-09	LANE CLOSURE, MULTILANE, AT ENTRANCE OR EXIT RAMP, FOR SPEEDS >45 MPH
701422-10	LANE CLOSURE, MULTILANE, FOR SPEEDS > 45 MPH TO 55 MPH
701602-10	URBAN LANE CLOSURE, MULTILANE, 2W WITH BIDIRECTIONAL TURN LANE
701701-10	URBAN LANE CLOSURE, MULTILANE INTERSECTION
701901-08	TRAFFIC CONTROL DEVICES
780001-05	TYPICAL PAVEMENT MARKINGS
001006	DECIMAL OF AN INCH AND OF A FOOT
420001-09	PAVEMENT JOINTS

STATE OF ILLINOIS DEPARTMENT OF TRANSPORTATION DIVISION OF HIGHWAYS DISTRICT 6	
EXAMINED	March 26, 20 21
 ENGINEER OF OPERATIONS	
EXAMINED	March 26, 20 21
 ENGINEER OF PROJECT IMPLEMENTATION	
EXAMINED	March 26, 20 21
 ENGINEER OF PROGRAM DEVELOPMENT	

REV. - MS

FILE NAME =	USER NAME = SHARPTD	DESIGNED - _____	REVISED - _____	STATE OF ILLINOIS DEPARTMENT OF TRANSPORTATION	INDEX OF SHEETS, STANDARDS GENERAL NOTES, SIGNATURES	F.A.P. RTE.	SECTION	COUNTY	TOTAL SHEETS	SHEET NO.
S:\CONTRMAINT_CAD\72G88 - Sangamon Ave	- Peoria Rd to Colt Rd\PLANS\72XXX-sht-2-g	DRAWN - DMS	REVISED - _____			667,71	79PP	SANGAMON	13	2
Default	PLOT SCALE = 40.0000' / in.	CHECKED - _____	REVISED - _____		SCALE: _____ SHEET _____ OF _____ SHEETS STA. _____ TO STA. _____					
	PLOT DATE = 3/25/2021	DATE - _____	REVISED - _____							ILLINOIS FED. AID PROJECT
						CONTRACT NO. 72G88				

				2-02175-6026
				100% STATE
				SANGAMON
CODE NO.	ITEM	UNIT	TOTAL QUANTITY	ROADWAY
				0006
				URBAN
44201403	CLASS C PATCHES, TYPE II, 14 INCH	SQ YD	88	88
44201407	CLASS C PATCHES, TYPE III, 14 INCH	SQ YD	48	48
44201415	CLASS C PATCHES, TYPE II, 15 INCH	SQ YD	176	176
44201419	CLASS C PATCHES, TYPE III, 15 INCH	SQ YD	16	16
44201421	CLASS C PATCHES, TYPE IV, 15 INCH	SQ YD	80	80
67100100	MOBILIZATION	L SUM	1	1
70100315	TRAFFIC CONTROL AND PROTECTION, STANDARD 701422	EACH	2	2
70100420	TRAFFIC CONTROL AND PROTECTION, STANDARD 701411	EACH	6	6
70102632	TRAFFIC CONTROL AND PROTECTION, STANDARD 701602	L SUM	1	1
70102635	TRAFFIC CONTROL AND PROTECTION, STANDARD 701701	L SUM	1	1
70107025	CHANGEABLE MESSAGE SIGN	CAL DA	30	30

FILE NAME =	USER NAME = SHARPTD	DESIGNED - _____	REVISED - _____
S:\CONTRMAINT_CAD\72G88 - Sangamon Ave	- Peoria Rd to Colt Rd\PLANS\72XXX-sh-3-500	DRAWN - DMS	REVISED - _____
Default	PLOT SCALE = 40.0000' / in.	CHECKED - _____	REVISED - _____
	PLOT DATE = 3/25/2021	DATE - _____	REVISED - _____

**STATE OF ILLINOIS
DEPARTMENT OF TRANSPORTATION**

SUMMARY OF QUANTITIES

SCALE: _____ SHEET ____ OF ____ SHEETS STA. _____ TO STA. _____

F.A.P. RTE.	SECTION	COUNTY	TOTAL SHEETS	SHEET NO.
667,71	79PP	SANGAMON	13	3
CONTRACT NO. 72G88			ILLINOIS FED. AID PROJECT	

CLASS C, 15 INCH			
LANE	TY II	TY III	TY IV
NB/SB/EB/WB	(S.Y.)	(S.Y.)	(S.Y.)
E Sangamon Ave (Dirksen Pkwy to Colt Rd)			
EBDL	24.0	0.0	0.0
EBPL	24.0	0.0	0.0
WBDL	64.0	0.0	80.0
WBPL	64.0	16.0	0.0
Total:	176.0	16.0	80.0

CLASS C, 14 INCH			
LANE	TY II	TY III	TY IV
Sangamon Ave (9th St to Dirksen Pkwy)			
EBDL	24.0	0.0	0.0
EBPL	16.0	0.0	0.0
WBDL	32.0	32.0	0.0
WBPL	16.0	16.0	0.0
Total:	88.0	48.0	0.0



START PROJECT
STA. 8+20.00

STATION EQ
STA 81+33.19bk
= 10+00.00ah

END PROJECT
STA. 72+50.00

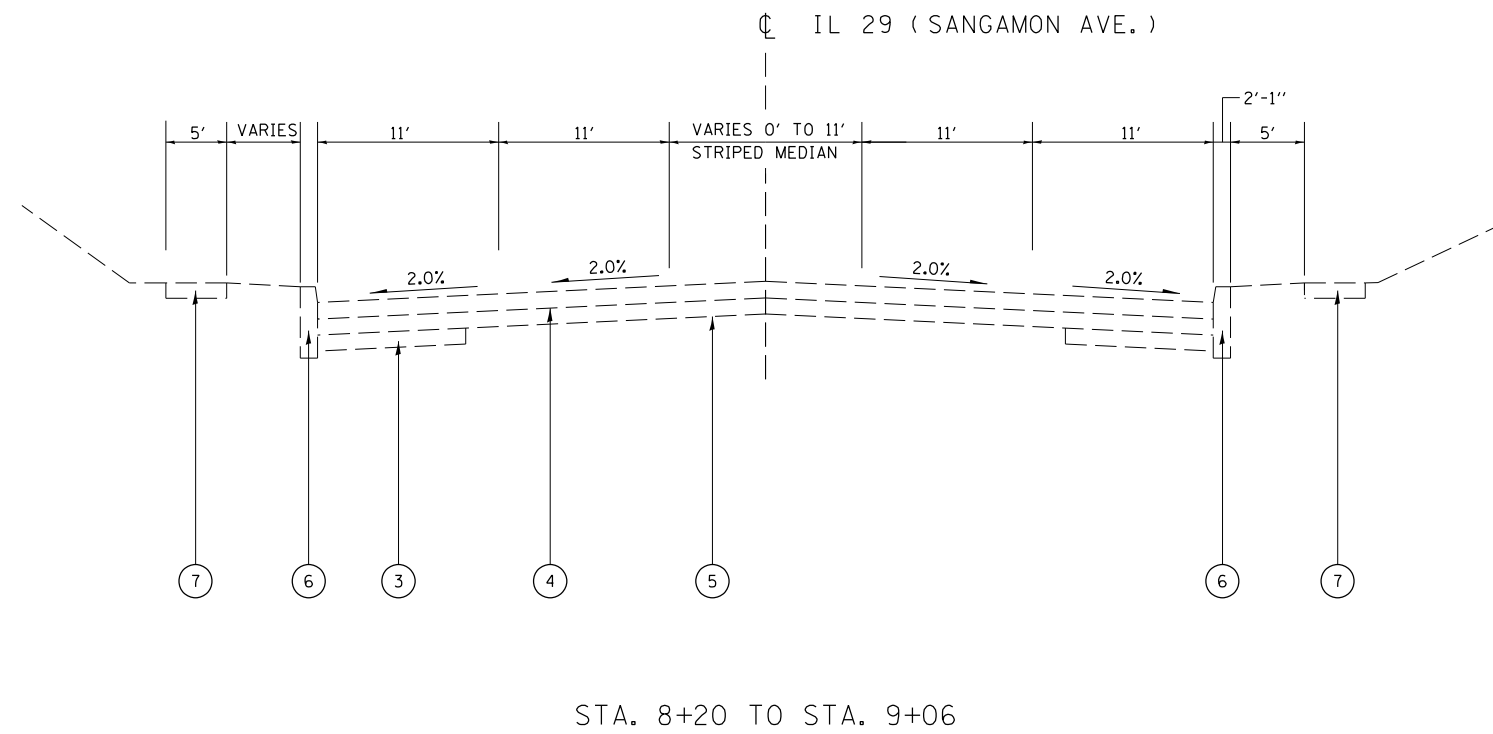
FILE NAME =	USER NAME = SHARPTD	DESIGNED -	REVISED -
S:\CONTRMAINT_CAD\72G88 - Sangamon Ave	- Peoria Rd to Colt Rd\PLANS\72XXX-SHT-5-1.dwg	DRAWN -	REVISED -
Default	PLOT SCALE = 3.0000' / in.	CHECKED -	REVISED -
	PLOT DATE = 3/24/2021	DATE -	REVISED -

**STATE OF ILLINOIS
DEPARTMENT OF TRANSPORTATION**

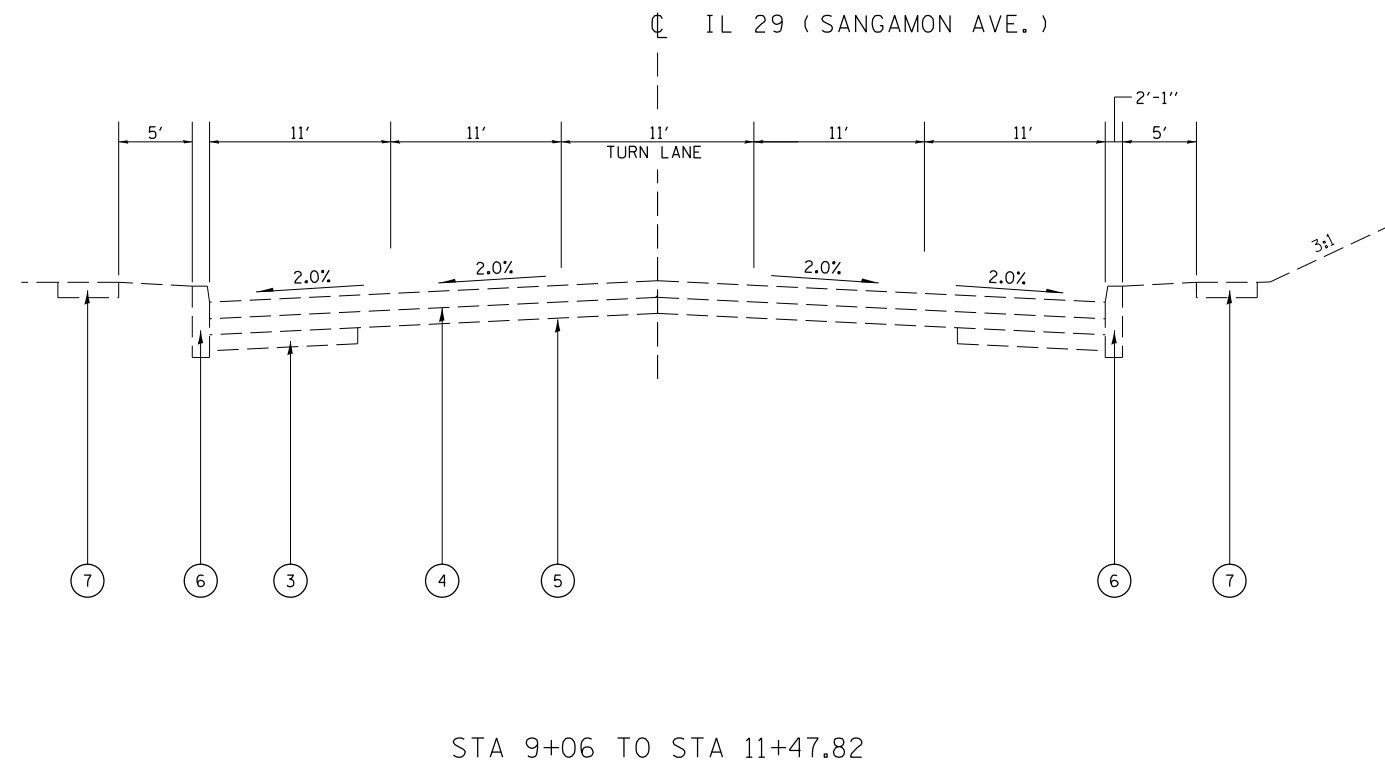
PROJECT LOCATION

SCALE: SHEET 1 OF 2 SHEETS STA. TO STA.

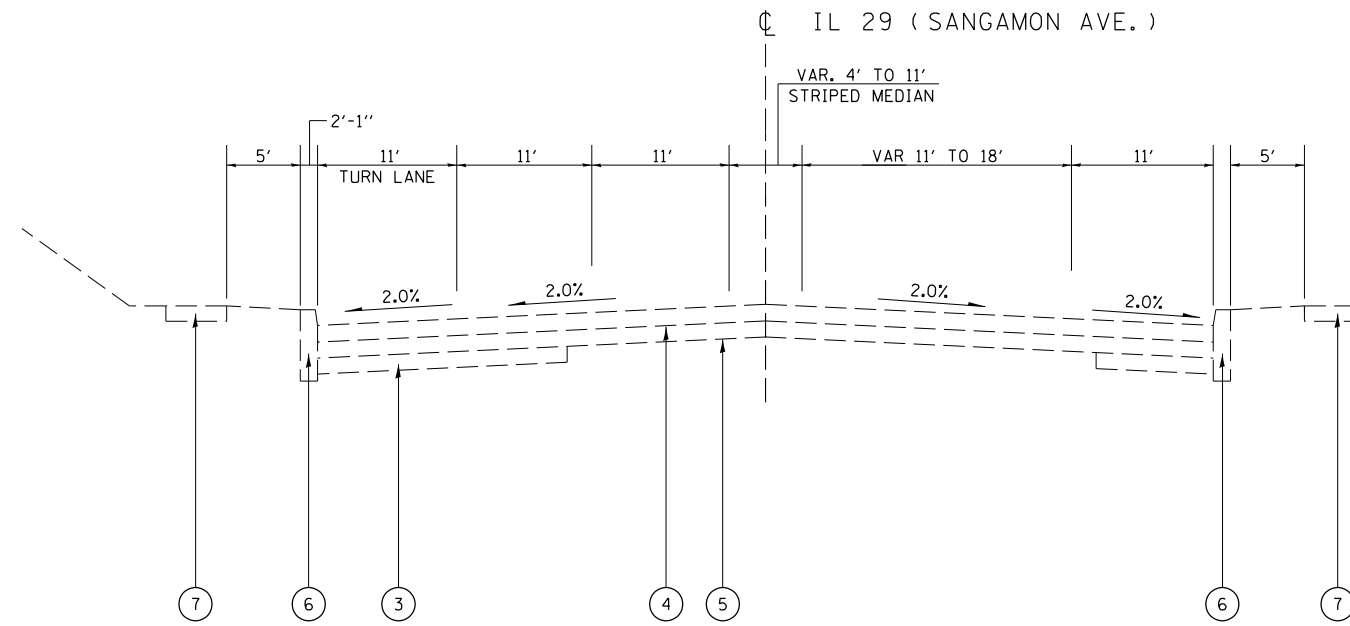
F.A.P. RTE.	SECTION	COUNTY	TOTAL SHEETS	SHEET NO.
667,71	79PP	SANGAMON	22	5
CONTRACT NO. 72G88				
ILLINOIS FED. AID PROJECT				



- LEGEND
- ① EX HOT-MIX ASPHALT SHOULDERS
 - ② EX PIPE UNDERDRAIN
 - ③ EX STABILIZED SUBBASE
 - ④ EX H.M.A. SURFACE
 - ⑤ EX P.C.C. PAVEMENT
 - ⑥ EX CONCRETE CURB AND GUTTER
 - ⑦ EX P.C.C. SIDEWALK
 - ⑧ EX AGGREGATE SHOULDERS
 - ⑨ EX PAVEMENT (COMPOSITION UNKNOWN)
 - ⑩ EX CONCRETE MEDIAN
 - ⑪ EX HMA BASE COURSE



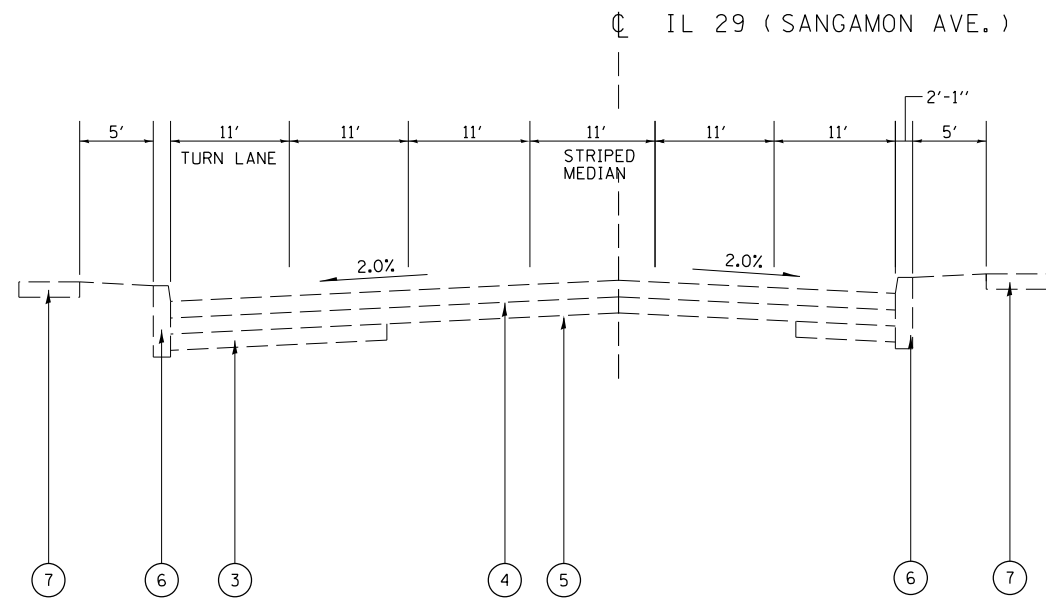
FILE NAME =	USER NAME = SHARPTD	DESIGNED -	REVISED -	STATE OF ILLINOIS DEPARTMENT OF TRANSPORTATION	TYPICAL SECTIONS			F.A.P. RTE.	SECTION	COUNTY	TOTAL SHEETS	SHEET NO.			
S:\CONTRMAINT_CAD\72G88 - Sangamon Ave	- Peoria Rd to Colt Rd\PLANS\72XXX-SHT-6-1.dwg	DRAWN -	REVISED -		SCALE:	SHEET NO.	OF	SHEETS	STA.	TO STA.	667,71	79PP	SANGAMON	13	6
	PLOT SCALE = 100.0000' / 1" =	CHECKED -	REVISED -												
	PLOT DATE = 3/24/2021	DATE -	REVISED -												
ILLINOIS FED. AID PROJECT											CONTRACT NO. 72G88				



STA 11+47.82 TO STA 13+06

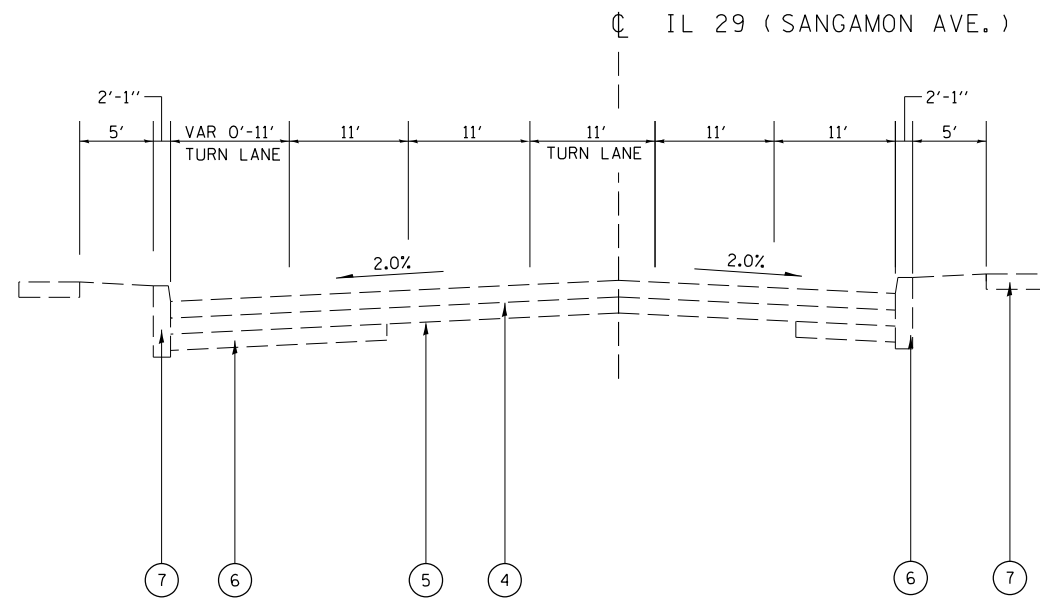
LEGEND

- ① EX HOT-MIX ASPHALT SHOULDERS
- ② EX PIPE UNDERDRAIN
- ③ EX STABILIZED SUBBASE
- ④ EX H.M.A. SURFACE
- ⑤ EX P.C.C. PAVEMENT
- ⑥ EX CONCRETE CURB AND GUTTER
- ⑦ EX P.C.C. SIDEWALK
- ⑧ EX AGGREGATE SHOULDERS
- ⑨ EX PAVEMENT (COMPOSITION UNKNOWN)
- ⑩ EX CONCRETE MEDIAN
- ⑪ EX HMA BASE COURSE



STA 13+06 TO STA 13+13

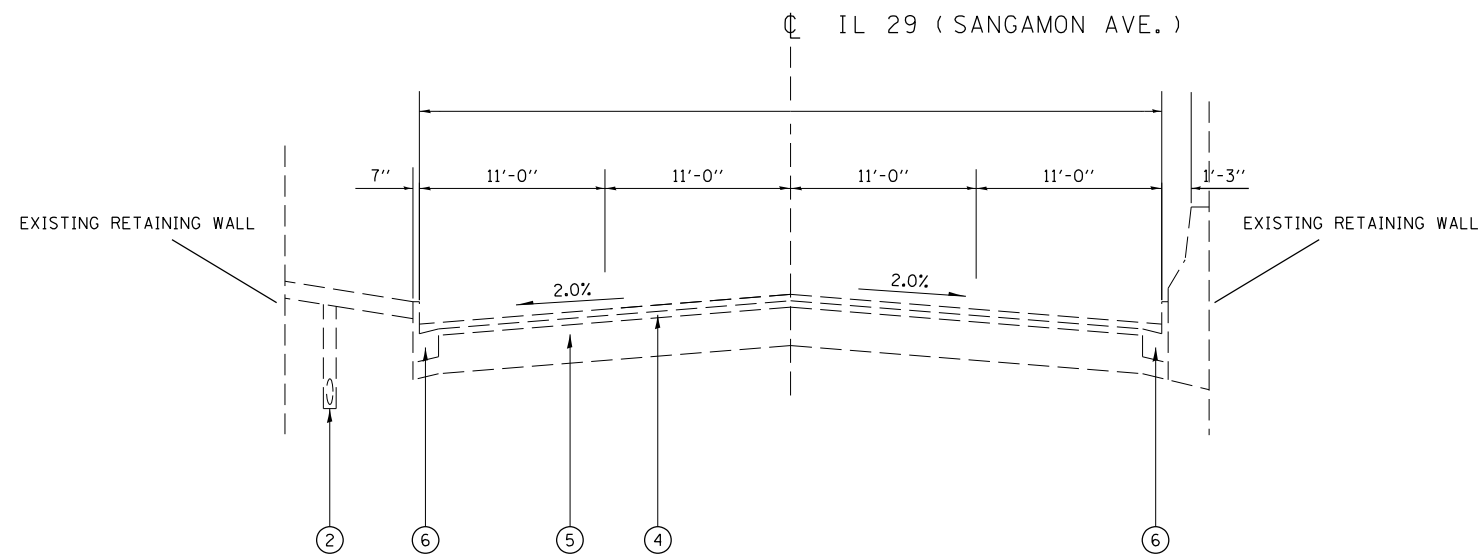
FILE NAME = S:\CONTRMAINT_CAD\72G88 - Sangamon Ave	USER NAME = SHARPTD	DESIGNED -	REVISED -	STATE OF ILLINOIS DEPARTMENT OF TRANSPORTATION	TYPICAL SECTIONS			F.A.P. RTE.	SECTION	COUNTY	TOTAL SHEETS	SHEET NO.
		DRAWN -	REVISED -					667,71	79PP	SANGAMON	13	7
		CHECKED -	REVISED -		SCALE: SHEET NO. OF SHEETS STA. TO STA.			CONTRACT NO. 72G88		ILLINOIS FED. AID PROJECT		
		DATE -	REVISED -									



STA 13+13 TO STA 16+60

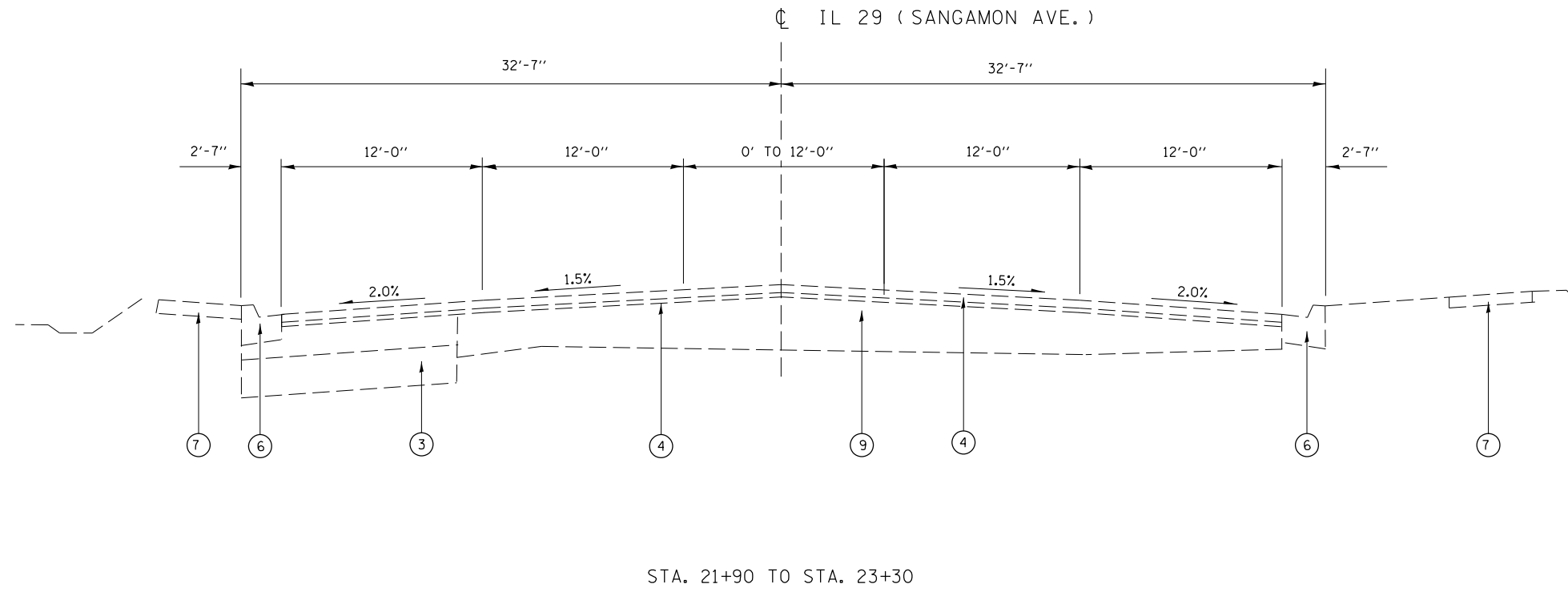
LEGEND

- ① EX HOT-MIX ASPHALT SHOULDERS
- ② EX PIPE UNDERDRAIN
- ③ EX STABILIZED SUBBASE
- ④ EX H.M.A. SURFACE
- ⑤ EX P.C.C. PAVEMENT
- ⑥ EX CONCRETE CURB AND GUTTER
- ⑦ EX P.C.C. SIDEWALK
- ⑧ EX AGGREGATE SHOULDERS
- ⑨ EX PAVEMENT (COMPOSITION UNKNOWN)
- ⑩ EX CONCRETE MEDIAN
- ⑪ EX HMA BASE COURSE

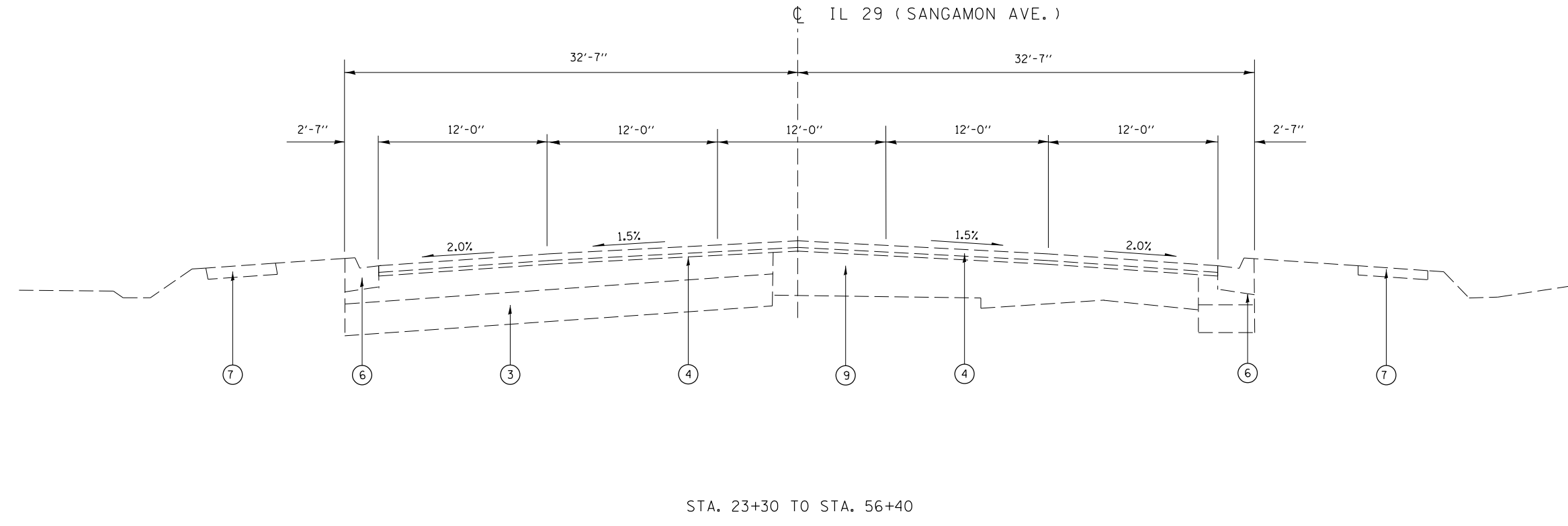


STA 16+60 TO 21+09

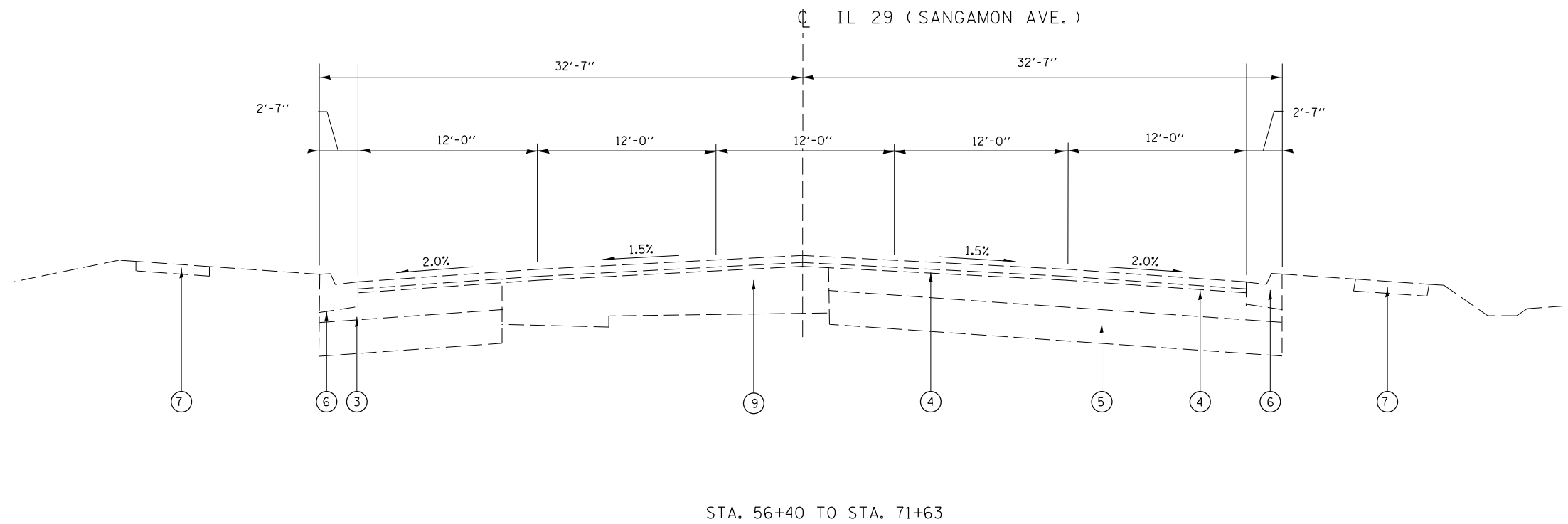
FILE NAME = S:\CONTRMAINT_CAD\72G88 - Sangamon Ave	USER NAME = SHARPTD	DESIGNED -	REVISED -	STATE OF ILLINOIS DEPARTMENT OF TRANSPORTATION	TYPICAL SECTIONS			F.A.P. RTE. 667,71	SECTION 79PP	COUNTY SANGAMON	TOTAL SHEETS 13	SHEET NO. 8
		CHECKED -	REVISED -					CONTRACT NO. 72G88			ILLINOIS FED. AID PROJECT	
		DATE -	REVISED -		SCALE:	SHEET NO.	OF SHEETS	STA.	TO STA.			



- LEGEND**
- ① EX HOT-MIX ASPHALT SHOULDERS
 - ② EX PIPE UNDERDRAIN
 - ③ EX STABILIZED SUBBASE
 - ④ EX H.M.A. SURFACE
 - ⑤ EX P.C.C. PAVEMENT
 - ⑥ EX CONCRETE CURB AND GUTTER
 - ⑦ EX P.C.C. SIDEWALK
 - ⑧ EX AGGREGATE SHOULDERS
 - ⑨ EX PAVEMENT (COMPOSITION UNKNOWN)
 - ⑩ EX CONCRETE MEDIAN
 - ⑪ EX HMA BASE COURSE

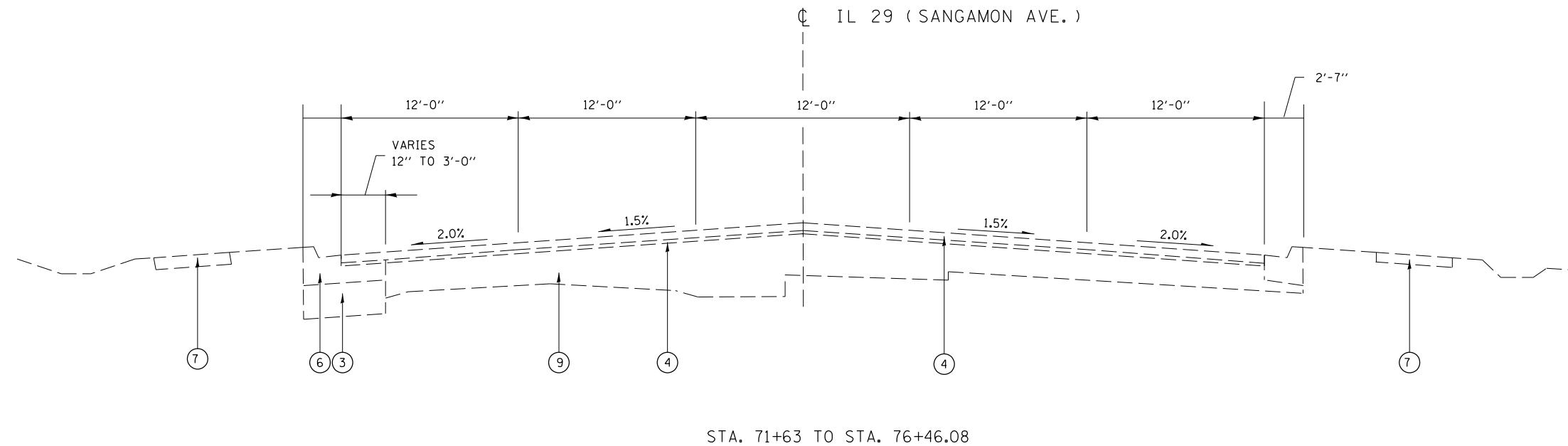


FILE NAME =	USER NAME = SHARPTD	DESIGNED -	REVISED -	STATE OF ILLINOIS DEPARTMENT OF TRANSPORTATION	TYPICAL SECTIONS			F.A.P. RTE.	SECTION	COUNTY	TOTAL SHEETS	SHEET NO.
S:\CONTRMAINT_CAD\72G88 - Sangamon Ave	- Peoria Rd to Colt Rd\PLANS\72XXX-SHT-6-1.dwg	DRAWN -	REVISED -		667,71	79PP	SANGAMON	13	9			
	PLOT SCALE = 100.0000' / 1" =	CHECKED -	REVISED -		CONTRACT NO. 72G88			ILLINOIS FED. AID PROJECT				
	PLOT DATE = 3/24/2021	DATE -	REVISED -		SCALE:	SHEET NO.	OF SHEETS	STA.	TO STA.			



STA. 56+40 TO STA. 71+63

- LEGEND**
- ① EX HOT-MIX ASPHALT SHOULDERS
 - ② EX PIPE UNDERDRAIN
 - ③ EX STABILIZED SUBBASE
 - ④ EX H.M.A. SURFACE
 - ⑤ EX P.C.C. PAVEMENT
 - ⑥ EX CONCRETE CURB AND GUTTER
 - ⑦ EX P.C.C. SIDEWALK
 - ⑧ EX AGGREGATE SHOULDERS
 - ⑨ EX PAVEMENT (COMPOSITION UNKNOWN)
 - ⑩ EX CONCRETE MEDIAN
 - ⑪ EX HMA BASE COURSE

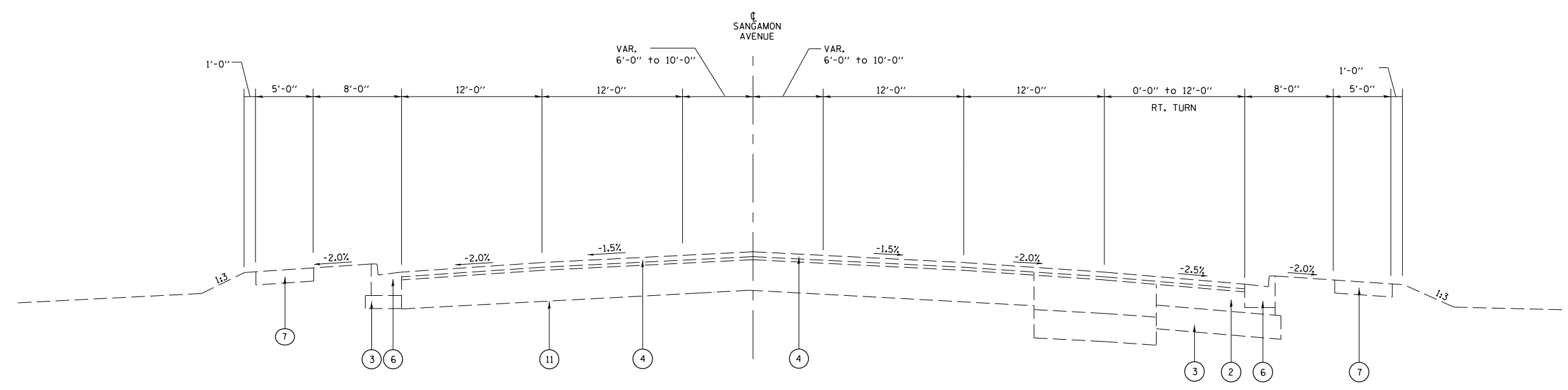


STA. 71+63 TO STA. 76+46.08

FILE NAME =	USER NAME = SHARPTD	DESIGNED -	REVISED -	STATE OF ILLINOIS DEPARTMENT OF TRANSPORTATION	TYPICAL SECTIONS			F.A.P. RTE.	SECTION	COUNTY	TOTAL SHEETS	SHEET NO.
S:\CONTRMAINT_CAD\72G88 - Sangamon Ave	- Peoria Rd to Colt Rd\PLANS\72XXX-SHT-6-1.dwg	DRAWN -	REVISED -					667,71	79PP	SANGAMON	13	10
	PLOT SCALE = 100.0000' / 1" =	CHECKED -	REVISED -		CONTRACT NO. 72G88			ILLINOIS FED. AID PROJECT				
	PLOT DATE = 3/24/2021	DATE -	REVISED -		SCALE:	SHEET NO.	OF SHEETS	STA.	TO STA.			

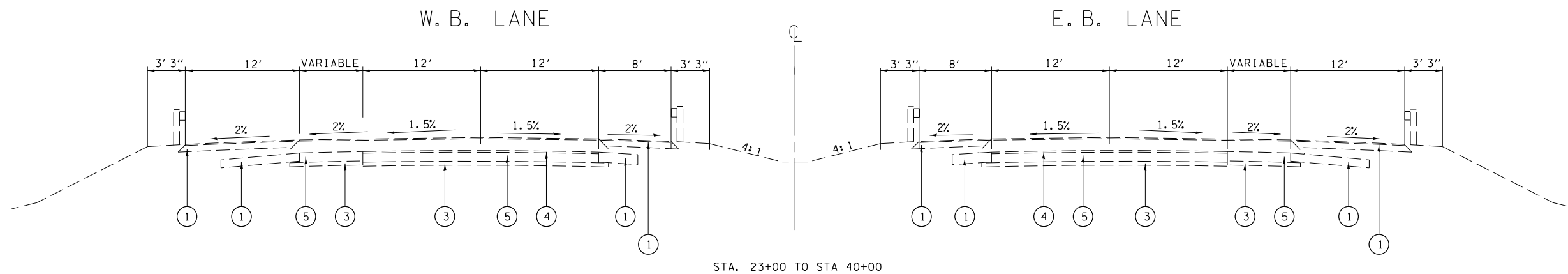
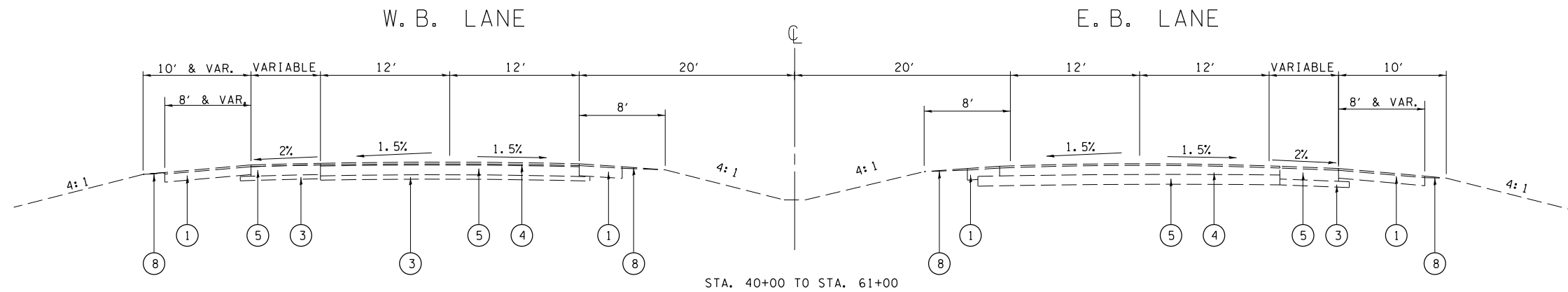
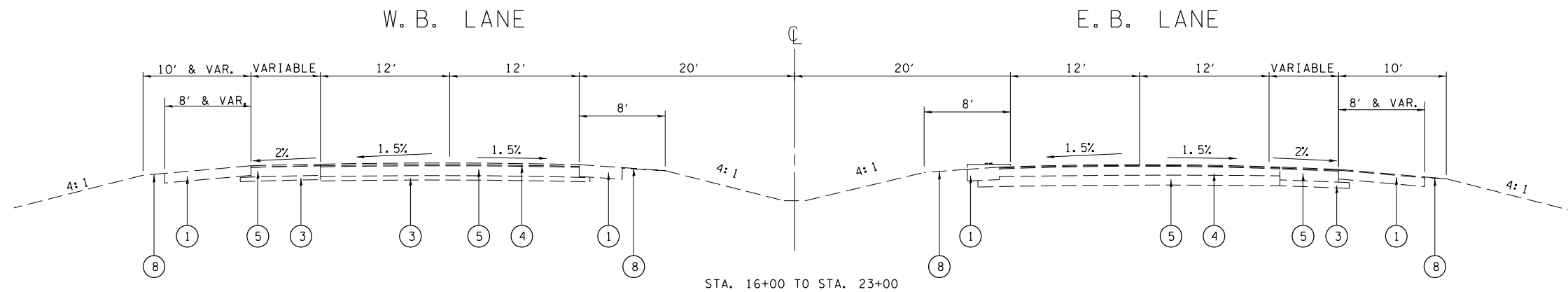
LEGEND

- ① EX HOT-MIX ASPHALT SHOULDERS
- ② EX PIPE UNDERDRAIN
- ③ EX STABILIZED SUBBASE
- ④ EX H.M.A. SURFACE
- ⑤ EX P.C.C. PAVEMENT
- ⑥ EX CONCRETE CURB AND GUTTER
- ⑦ EX P.C.C. SIDEWALK
- ⑧ EX AGGREGATE SHOULDERS
- ⑨ EX PAVEMENT (COMPOSITION UNKNOWN)
- ⑩ EX CONCRETE MEDIAN
- ⑪ EX HMA BASE COURSE



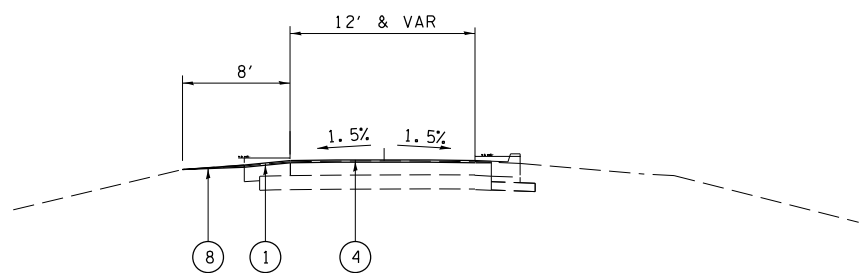
STA. 76+46.08 TO STA. 81+33.19

FILE NAME = S:\CONTRMAINT_CAD\72G88 - Sangamon Ave	USER NAME = SHARPTD	DESIGNED -	REVISED -	STATE OF ILLINOIS DEPARTMENT OF TRANSPORTATION	TYPICAL SECTIONS			F.A.P. RTE.	SECTION	COUNTY	TOTAL SHEETS	SHEET NO.
	- Peoria Rd to Colt Rd\PLANS\72XXX-SHT-6-1.dwg	DRAWN -	REVISED -					667,71	79PP	SANGAMON	13	11
	PLOT SCALE = 100.0000' / in.	CHECKED -	REVISED -		SCALE:	SHEET NO.	OF SHEETS	STA.	TO STA.	CONTRACT NO. 72G88		
	PLOT DATE = 3/24/2021	DATE -	REVISED -		ILLINOIS FED. AID PROJECT							



LEGEND

- ① EX HOT-MIX ASPHALT SHOULDERS
- ② EX PIPE UNDERDRAIN
- ③ EX STABILIZED SUBBASE
- ④ EX H.M.A. SURFACE
- ⑤ EX P.C.C. PAVEMENT
- ⑥ EX CONCRETE CURB AND GUTTER
- ⑦ EX P.C.C. SIDEWALK
- ⑧ EX AGGREGATE SHOULDERS
- ⑨ EX PAVEMENT (COMPOSITION UNKNOWN)
- ⑩ EX CONCRETE MEDIAN
- ⑪ EX HMA BASE COURSE



STA. 61+00 TO STA. 72+50

FILE NAME = S:\CONTRMAINT_CAD\72088 - Sangamon Ave	USER NAME = SHARPTD	DESIGNED -	REVISED -
- Peoria Rd to Colt Rd\PLANS\72XXX-SHT-6-1.dwg	DRWNGN -	CHECKED -	REVISED -
PLOT SCALE = 100.0000' / 1in.	DATE -	DATE -	REVISED -
PLOT DATE = 3/24/2021			

**STATE OF ILLINOIS
DEPARTMENT OF TRANSPORTATION**

TYPICAL SECTIONS

SCALE: SHEET NO. OF SHEETS STA. TO STA.

F.A.P. RTE.	SECTION	COUNTY	TOTAL SHEETS	SHEET NO.
667,71	79PP	SANGAMON	13	13
CONTRACT NO. 72088			ILLINOIS FED. AID PROJECT	