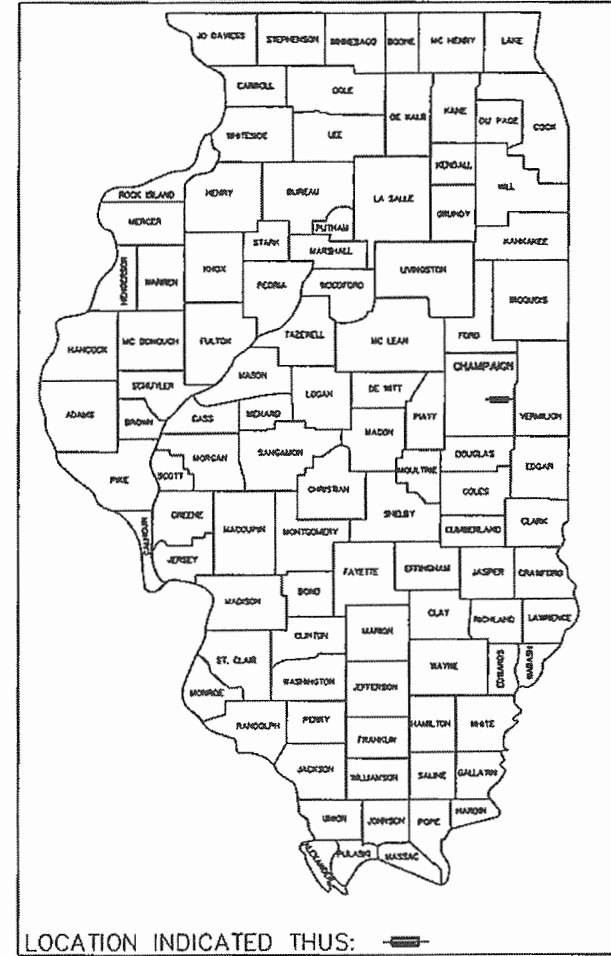


06-11-2021 LETTING ITEM 138

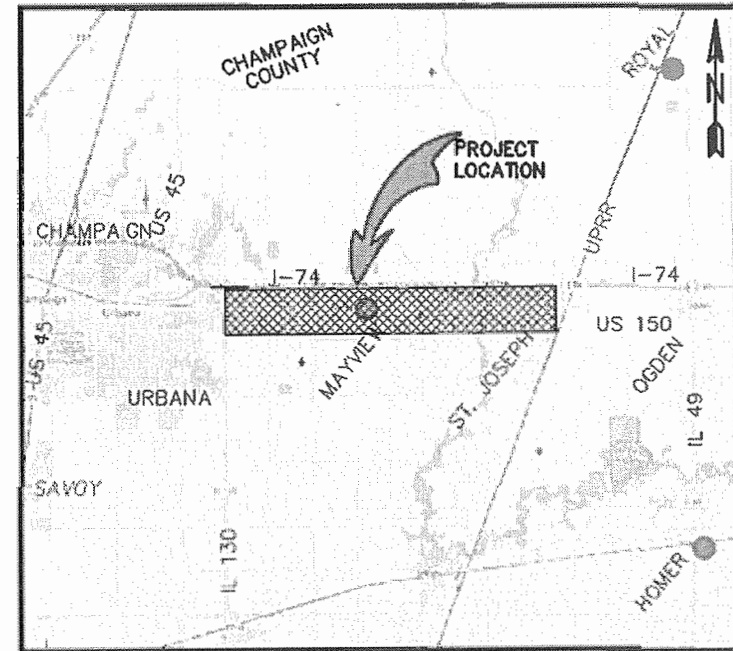
FOR INDEX OF STATE HIGHWAY STANDARDS
SEE SHEET NO. 2
PROJECT LOCATED IN THE COUNTY OF
CHAMPAIGN

STATE OF ILLINOIS
DEPARTMENT OF TRANSPORTATION
DIVISION OF HIGHWAYS
**PLANS FOR PROPOSED
FEDERAL AID HIGHWAY
TRAIL AMENITIES
KICKAPOO RAIL TRAIL**
PROJECT No.: 9W09(286)
SECTION No.: 08-F3000-04-BT
JOB No.: C-95-012-21
CHAMPAIGN COUNTY FOREST PRESERVE DISTRICT

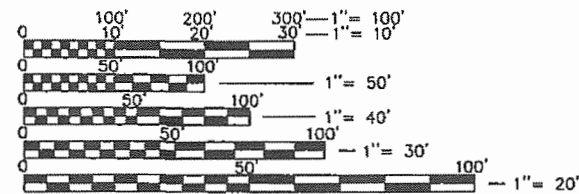
F.A.U. RTE.	SECTION	COUNTY	TOTAL SHEETS	SHEET NO.
	08-F3000-04-BT	CHAMPAIGN	26	1
CONTRACT NO.: 91605		ILLINOIS		



LOCATION MAP
(NOT TO SCALE)



CHAMPAIGN COUNTY
GROSS LENGTH OF IMPROVEMENT = 36,350 LF (6.88 MILES)
NET LENGTH OF IMPROVEMENT = 563 LF (0.1 MILES)



FULL SIZE PLANS HAVE BEEN PREPARED USING STANDARD
ENGINEERING SCALES. REDUCED SIZED PLANS WILL NOT
CONFORM TO STANDARD SCALES. IN MAKING MEASUREMENTS
ON REDUCED PLANS, THE ABOVE SCALES MAY BE USED.

J.U.L.I.E.
JOINT UTILITY LOCATION INFORMATION FOR EXCAVATION
1-800-892-0123
OR 811

PROJECT MANAGER: JOHN F. MAYER
PROJECT ENGINEER: ANDREW R. KUSTUSCH

CONTRACT NO. 91605

ENGINEERING
RESOURCE ASSOCIATES
Professional Design Firm No. 184-001185
Expires April 30, 2022

35701 WEST AVENUE, SUITE 150
WARRENVILLE, ILLINOIS 60555
PHONE (630) 393-3060
FAX (630) 393-2152

STATE OF ILLINOIS
DEPARTMENT OF TRANSPORTATION
DIVISION OF HIGHWAYS
APPROVED *Mary Ellen Wuellner*
Mary Ellen Wuellner, Executive Director
CHAMPAIGN COUNTY FOREST PRESERVE DISTRICT
March 17, 2021

PASSED *March 31, 2021*
[Signature]
DISTRICT 5 ENGINEER OF LOCAL ROADS & STREETS
March 30, 2021
[Signature]
REGION 3 ENGINEER

[Signature]
ANDREW R. KUSTUSCH
002-007658
REGISTERED
PROFESSIONAL
ENGINEER
OF
STATE OF ILLINOIS
EXP. 04-30-21

PRINTED BY THE AUTHORITY
OF THE STATE OF ILLINOIS

FEDERAL AID PROGRAM ENGINEER:

V:\Champaign County\91605\08-F3000-04-BT\Kickapoo Trail Amenities\08-F3000-04-BT-0001-0001.dwg Updated by: akustusch 3/17/2021

GENERAL NOTES

1. BEFORE STARTING ANY EXCAVATION, THE CONTRACTOR SHALL CALL "JULIE"(811) AT 800-892-0123 FOR FIELD LOCATIONS OF BURIED ELECTRIC, TELEPHONE AND GAS FACILITIES. (48 HOURS NOTIFICATION IS REQUIRED). CONTACT OWNER'S PROJECT MANAGER TO LOCATE PRIVATE UTILITIES WITHIN THE PROJECT AREA, A MINIMUM OF FIVE DAYS IN ADVANCE OF CONSTRUCTION ACTIVITIES.

2. ALL WORK SHALL BE IN ACCORDANCE WITH THE IDOT "STANDARD SPECIFICATIONS FOR ROAD AND BRIDGE CONSTRUCTION" (LATEST EDITION), THE VILLAGE OF ST. JOSEPH ORDINANCES, THE COUNTY OF CHAMPAIGN ORDINANCES, AND THE "STANDARD SPECIFICATIONS FOR WATER AND SEWER MAIN CONSTRUCTION IN ILLINOIS", (LATEST EDITION).

THE EROSION & SEDIMENT CONTROL PRACTICES SHALL BE ACCORDING TO THE ILLINOIS URBAN MANUAL (LATEST EDITION).

3. NO WORK SHALL COMMENCE UNTIL TRAFFIC CONTROL REQUIREMENTS ARE MET.

4. ALL UTILITIES, SCHOOL DISTRICTS, LOCAL POLICE, AND FIRE DEPARTMENTS SHALL BE NOTIFIED BY THE CONTRACTOR PRIOR TO THE START OF CONSTRUCTION.

5. UNLESS AUTHORIZED BY THE ENGINEER, ALL EXISTING ACCESS POINTS SHALL BE MAINTAINED AT ALL TIMES BY THE CONTRACTOR.

6. DURING THE CONSTRUCTION, THE CONTRACTOR WILL BE REQUIRED, AT HIS EXPENSE, TO HAVE AVAILABLE A WATER TRUCK OR SIMILAR EQUIPMENT TO CONTROL DUST. IF NECESSARY, THE CONTRACTOR SHALL BE REQUIRED TO CONTROL DUST DURING NON-WORKING HOURS. PAYMENT FOR THIS WORK SHALL BE INCLUDED IN THE COST OF EARTH EXCAVATION.

7. ALL SOIL EROSION AND SEDIMENT CONTROL DEVICES SHALL BE INSTALLED PRIOR TO UPLAND DISTURBANCE.

8. THE CONTRACTOR SHALL PERFORM ALL CONSTRUCTION LAYOUT.

9. PERMITS FROM VILLAGE OF ST. JOSEPH & CHAMPAIGN COUNTY WILL BE PROVIDED BY THE ENGINEER. CONTRACTOR SHALL BE RESPONSIBLE FOR MEETING REQUIREMENTS OF ALL PERMITS.

TOPSOIL

IN GENERAL, TOPSOIL SHALL BE PLACED TO A MINIMUM DEPTH OF 6 INCHES.

THE LOCATIONS OF TOPSOIL STOCKPILES MUST BE APPROVED BY THE ENGINEER.

STORM SEWERS, STRUCTURES, & UTILITIES

THE CONTRACTOR SHALL BE RESPONSIBLE FOR CONTACTING LOCAL AGENCIES MAINTAINING SANITARY SEWERS, WATERMANS, AND STREET LIGHTS TO VERIFY THE MATERIALS AND METHODS ALLOWED FOR THE ADJUSTMENT OR PROTECTION OF THE UTILITY INVOLVED.

THE LOCATION AND ELEVATION OF EXISTING UTILITIES ARE APPROXIMATE. THE EXACT LOCATIONS AND ELEVATIONS ARE TO BE VERIFIED BY THE CONTRACTOR THROUGH THE OWNER OF THE UTILITY.

ALL FIELD TILES ENCOUNTERED SHALL BE CAREFULLY PRESERVED AND CONNECTED TO PROPOSED DRAINAGE STRUCTURES, SEWERS OR DITCHES AS DIRECTED BY THE ENGINEER; THIS WORK WILL BE PAID AT THE APPLICABLE CONTRACT UNIT PRICE OR IN ACCORDANCE WITH ARTICLE 109.04.

SHOULD THE CONTRACTOR ENCOUNTER ANY DRAIN TILES, THE CONTRACTOR SHALL CONTACT THE OWNER OR ENGINEER IMMEDIATELY. ANY DAMAGES TO TILES SHALL BE REPAIRED BY THE CONTRACTOR AT NO ADDITIONAL COST TO THE OWNER.

HOT-MIX ASPHALT

HOT-MIX ASPHALT SURFACE COURSE SHALL NOT BE PLACED UNTIL ALL EARTH EXCAVATION AND AGGREGATE BASE COURSE HAVE BEEN COMPLETED TO THE SATISFACTION OF THE ENGINEER.

TRENCH BACKFILL

WHERE TRENCH BACKFILL IS REQUIRED, THE MATERIAL USED SHALL BE COMPACTED AS SPECIFIED IN ARTICLE 550.07 OF THE STANDARD SPECIFICATIONS USING METHOD ONE.

PARKING LOT EXCAVATION

ALL EMBANKMENTS AND SUB-GRADE SHALL BE COMPACTED TO THE SATISFACTION OF THE ENGINEER PRIOR TO PLACING AGGREGATE SUBGRADE OR SUBBASE GRANULAR MATERIAL. ALL EMBANKMENT AND SUBGRADE SHALL BE CONSTRUCTED IN ACCORDANCE WITH SECTION 205 (EMBANKMENT) AND SECTION 300 (SUBGRADES, SUBBASES AND BASE COURSES) OF THE STANDARD SPECIFICATIONS FOR ROAD AND BRIDGE CONSTRUCTION, ADOPTED JANUARY 1, 2016, AS WELL AS TO THE SATISFACTION OF THE ENGINEER.

THERE MAY BE AREAS THAT MAY HAVE DEPOSITS OF UNSUITABLE OR UNSTABLE MATERIAL. THESE AREAS MUST BE PUMPED DRY OF ANY WATER AND ALL UNSUITABLE/UNSTABLE MATERIAL REMOVED BEFORE ANY EMBANKMENT MATERIAL IS PLACED.

INDEX OF SHEETS

SHEET NO.	SHEET DESCRIPTION
1	COVER SHEET
2	GENERAL NOTES, INDEX OF SHEETS, LEGEND, & HIGHWAY STANDARDS
3	SUMMARY OF QUANTITIES
4	SCHEDULE OF QUANTITIES
5	SHEET KEY PLAN & BENCHMARKS
6-13	EXISTING CONDITIONS & DEMOLITION PLAN
14-21	PROPOSED CONDITIONS PLAN
22	MILE MARKER & PARK SIGN PLAN
23-25	CONSTRUCTION DETAILS
26	EROSION CONTROL NOTES & DETAILS

IDOT HIGHWAY STANDARDS

000001-08	STANDARD SYMBOLS, ABBREVIATIONS AND PATTERNS
001006	DECIMAL OF AN INCH AND OF A FOOT
280001-07	TEMPORARY EROSION CONTROL SYSTEMS
542301-03	PRECAST REINFORCED CONCRETE FLARED END SECTION
602701-02	MANHOLE STEPS
604001-05	FRAME AND LIDS TYPE 1
701001-02	OFF-ROAD OPERATIONS: 2L, 2W, MORE THAN 15 FT. AWAY
701006-05	OFF-ROAD OPERATIONS: 2L, 2W, 15' TO 24" FROM PAVEMENT EDGE
701301-04	LANE CLOSURE, 2L, 2W, SHORT TIME OPERATIONS
701801-06	SIDEWALK, CORNER OR CROSSWALK CLOSURE
701901-08	TRAFFIC CONTROL DEVICES
720001-01	SIGN PANEL MOUNTING DETAILS
720006-04	SIGN PANEL ERECTION DETAILS
720011-01	METAL POSTS FOR SIGNS, MARKERS & DELINEATORS
729001-01	APPLICATIONS OF TYPES A & B METAL POSTS (FOR SIGNS & MARKERS)

HOT-MIX ASPHALT MIXTURE REQUIREMENTS

FULL DEPTH PAVEMENT

PAY ITEM DESCRIPTION	AIR VOIDS @ Ndes
HOT-MIX ASPHALT SURFACE COURSE, MIX "C", IL-9.5, N50	4% @ 50 Gyr.
HOT-MIX ASPHALT BINDER COURSE, IL-19.0, N50	4% @ 50 Gyr.

THE UNIT WEIGHT USED TO CALCULATE ALL HMA SURFACE MIXTURE QUANTITIES IS 112 LBS/SQ YD-IN.

THE "AC TYPE" FOR POLYMERIZED HMA MIXES SHALL BE "SBS/SBR PG 76-22" AND FOR NON-POLYMERIZED HMA THE "AC TYPE" SHALL BE "PG 64-22" UNLESS MODIFIED BY SPECIAL PROVISIONS.

	EXISTING	PROPOSED
CURB & GUTTER		
EDGE OF PAVEMENT		
STORM SEWER		
PERIMETER EROSION BARRIER		
TEMPORARY FENCE		
OVERHEAD WIRE		
10-YR FLOODPLAIN		
100-YR FLOODPLAIN		
FLOODWAY		
CONTOUR		
MANHOLE		
CATCH BASIN		
INLET		
STEEL END SECTION		
CONC END SECTION		
HYDRANT		
HANDHOLE		
UTILITY PEDESTAL		
UTILITY POLE		
UTILITY POLE W/STREET LIGHT		
STREET LIGHT		
STREET LIGHT CONTROLLER		
SIGN		
TREE REMOVAL		
TREE TRUNK PROTECTION		
TREE(DECIDUOUS)		
STONE RIPRAP		
STABILIZED CONSTRUCTION ENTRANCE		
WETLAND		
ASPHALT TRAIL		
PAVEMENT REMOVAL		
PERMANENT EASEMENT		
TEMPORARY EASEMENT		

FILE NAME: V:\Champaign County FP\20034 Kikepoo Rail Trail Remediation\CAD\20034 KikepooRailTrail-Gen Notes_Details.dwg



USER NAME = akustusch	DESIGNED - A.Z.	REVISED -
	DRAWN - RT	REVISED -
PLOT SCALE = \$SCALE\$	CHECKED - A.K.	REVISED -
PLOT DATE = 4/14/2021	DATE - MARCH 2021	REVISED -

STATE OF ILLINOIS
DEPARTMENT OF TRANSPORTATION

GENERAL NOTES INDEX OF SHEETS LEGEND
AND ILLUSTRATED STANDARDS

SCALE: 1"=10'

SHEET NO. 1 OF 1 SHEETS

F.A.P. RTE.	SECTION	COUNTY	TOTAL SHEETS	SHEET NO.
-	08-F3000-04-BT	CHAMPAIGN	26	2
CONTRACT NO. 91605				
ILLINOIS FED. AID PROJECT				

SUMMARY OF QUANTITIES

SPECIALTY ITEM	SPECIAL PROVISIONS	CODE NUMBER	ITEM	UNIT OF MEASURE	QUANTITY
	X	20201200	REMOVAL AND DISPOSAL OF UNSUITABLE MATERIAL	CU YD	195
		21001000	GEOTECHNICAL FABRIC FOR GROUND STABILIZATION	SQ YD	585
		25000110	SEEDING, CLASS 1A	ACRE	0.50
		25000210	SEEDING, CLASS 2A	ACRE	0.25
		25000312	SEEDING, CLASS 4A	ACRE	0.25
		25000314	SEEDING, CLASS 4B	ACRE	0.25
		28000400	PERIMETER EROSION BARRIER	FOOT	430
		28001100	TEMPORARY EROSION CONTROL BLANKET	SQ YD	600
		28100205	STONE RIPRAP, CLASS A3	TON	7
	X	30300001	AGGREGATE SUBGRADE IMPROVEMENT	CU YD	195
		35102000	AGGREGATE BASE COURSE, TYPE B 8"	SQ YD	615
		40200100	AGGREGATE SURFACE COURSE, TYPE A	TON	8
		40603080	HOT-MX ASPHALT BINDER COURSE, IL-19.0, N50	TON	82
		40604050	HOT-MX ASPHALT SURFACE COURSE, IL-9.5, MIX "C", N50	TON	49
		42400300	PORTLAND CEMENT CONCRETE SIDEWALK 6 INCH	SQ FT	1,340
		44000100	PAVEMENT REMOVAL	SQ YD	12
		44000600	SIDEWALK REMOVAL	SQ FT	25
		54213657	PRECAST REINFORCED CONCRETE FLARED END SECTION 12"	EACH	2
		550B0050	STORM SEWERS, CLASS B, TYPE 1, 12"	FOOT	23
X		66900200	NON-SPECIAL WASTE DISPOSAL	CU YD	48
X		66900530	SOIL DISPOSAL ANALYSIS	EACH	2
X		66901001	REGULATED SUBSTANCES PRE-CONSTRUCTION PLAN	L SUM	1
X		66901003	REGULATED SUBSTANCES FINAL CONSTRUCTION REPORT	L SUM	1
X		66901006	REGULATED SUBSTANCES MONITORING	CAL DA	1
		67100100	MOBILIZATION	L SUM	1
X		72000100	SIGN PANEL - TYPE 1	SQ FT	11

SPECIALTY ITEM	SPECIAL PROVISIONS	CODE NUMBER	ITEM	UNIT OF MEASURE	QUANTITY
X		72900100	METAL POST - TYPE A	FOOT	36
X		78001100	PAINT PAVEMENT MARKING - LETTERS AND SYMBOLS	SQ FT	5.5
X		78001110	PAINT PAVEMENT MARKING - LINE 4"	FOOT	275
X		78001180	PAINT PAVEMENT MARKING - LINE 24"	FOOT	14
	X	Z0003850	BENCHES	EACH	5
	X	Z0003855	BICYCLE RACKS	EACH	13
	X	Z0013797	STABILIZED CONSTRUCTION ENTRANCE	SQ YD	84
	X	Z0013798	CONSTRUCTION LAYOUT	L SUM	1
	X	Z0039700	PICNIC TABLE	EACH	2
	X	X0300635	PLANTER	EACH	2
X	X	X0320061	GATEWAY ENTRANCE SIGNS	EACH	8
X	X	X0324062	ENTRANCE SIGN	L SUM	1
X	X	X0325789	INTERPRETIVE SIGNAGE COMPLETE	EACH	2
X	X	X0327018	DECORATIVE SIGN POST	EACH	5
X	X	X0327592	LARGE ENTRANCE SIGN	EACH	12
X	X	X0327593	SMALL ENTRANCE SIGN	EACH	31
	X	X2020410	EARTH EXCAVATION (SPECIAL)	CU YD	1,080
	X	X2110100	TOPSOIL FURNISH AND PLACE, SPECIAL	CU YD	2
	X	X4810200	AGGREGATE SHOULDER REMOVAL	CU YD	14
	X	X6020096	MAN-HOLES, TYPE A, 6" DIAMETER, WITH 2 TYPE 1 FRAME, CLOSED LID, RESTRICTOR PLATE	EACH	1
X	X	X6300235	WOOD POSTS	EACH	17
	X	X8780100	CONCRETE FOUNDATIONS (SPECIAL)	CU YD	8.0
X	X	XX008269	WAYFINDING SIGN	EACH	5
	X	XX009334	BICYCLE REPAIR STATION	EACH	1

FILE NAME: V:\Champaign County FP\220234 Kickapoo Rail Trail Amenities\CADD\220234 KickapooRailTrail-Gen Notes_Details.dwg



USER NAME = akustusch	DESIGNED - A.Z.	REVISED -
PLOT SCALE = SCALES	DRAWN - RT	REVISED -
PLOT DATE = 4/5/2021	CHECKED - A.K.	REVISED -
	DATE - MARCH 2021	REVISED -

STATE OF ILLINOIS
DEPARTMENT OF TRANSPORTATION

SUMMARY OF QUANTITIES

SCALE: N.T.S. □ SHEET NO. 1 OF 1 SHEETS

F.A.P. RTE.	SECTION	COUNTY	TOTAL SHEETS	SHEET NO.
	08-F3000-04-BT	CHAMPAIGN	26	3
CONTRACT NO. 91605				
ILLINOIS FED. AID PROJECT				

SCHEDULE OF QUANTITIES OF MAJOR ITEMS

CODE NUMBER	ITEM	UNIT OF MEASURE	SHEET 14	SHEET 15	SHEET 16	SHEET 17	SHEET 18	SHEET 19	SHEET 20	SHEET 21	SHEET 22
35102000	AGGREGATE BASE COURSE, TYPE B 8"	SQ YD	0.0	0.0	6.0	0.0	0.0	26.0	0.0	583.0	0.0
40200100	AGGREGATE SURFACE COURSE, TYPE A	TON	0.0	1.0	0.0	0.0	0.0	4.0	0.0	3.0	0.0
42400300	PORTLAND CEMENT CONCRETE SIDEWALK 6 INCH	SQ FT	120.0	10.0	153.0	153.0	123.0	108.0	96.0	513.0	64.0
72000100	SIGN PANEL - TYPE 1	SQ FT	0	0	0	0	0	0	0	9	2
72900100	METAL POST - TYPE A	FOOT	0	0	0	0	0	0	0	24	12
Z0003850	BENCHES	EACH	1	0	1	1	1	0	1	0	0
Z0003855	BICYCLE RACKS	EACH	0	0	2	0	2	6	0	3	0
Z0039700	PICNIC TABLE	EACH	0	0	0	0	0	2	0	0	0
X0300635	PLANTER	EACH	0	0	0	0	0	2	0	0	0
X0320061	GATEWAY ENTRANCE SIGNS	EACH	2	0	2	0	2	0	0	2	0
X0324062	ENTRANCE SIGN	L SUM	1	0	0	0	0	0	0	0	0
X0325789	INTERPRETIVE SIGNAGE COMPLETE	EACH	0	1	1	0	0	0	0	0	0
X0327018	DECORATIVE SIGN POST	EACH	1	0	1	1	1	0	0	1	0
X0327592	LARGE ENTRANCE SIGN	EACH	3	0	2	2	3	0	0	2	0
X0327593	SMALL ENTRANCE SIGN	EACH	0	0	0	0	0	0	0	0	31
X6300235	WOOD POSTS	EACH	0	0	0	0	0	0	1	0	16
X8780100	CONCRETE FOUNDATIONS (SPECIAL)	CU YD	2.4	0.0	1.4	1.4	1.4	0.0	0.0	1.4	0.0
XX008269	WAYFINDING SIGN	EACH	1	0	1	1	1	0	0	1	0
XX009334	BICYCLE REPAIR STATION	EACH	0	0	0	0	0	0	0	1	0

FILE NAME: V:\Champaign County\FP\C20034_Kickapoo_Rail_Trail_Amenities\CADD\C20034_KickapooRailTrail-Gen_Notes_Details.dwg



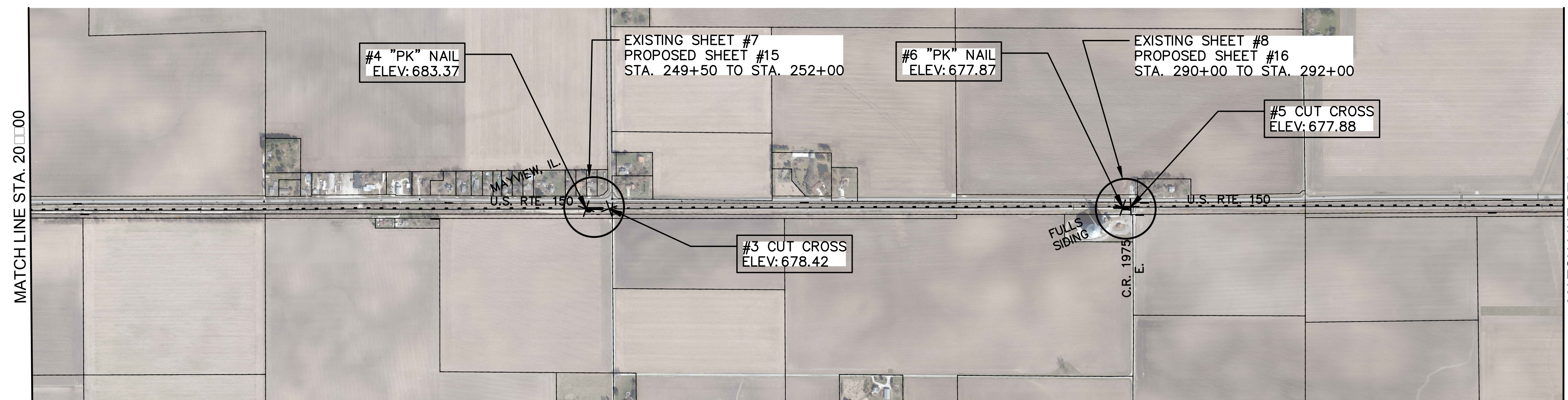
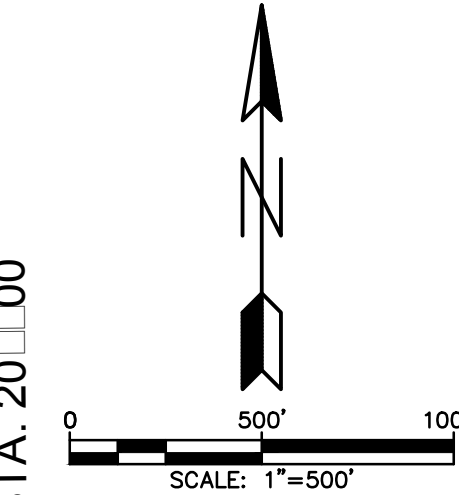
USER NAME = akustusch	DESIGNED - A.Z.	REVISED - ___
	DRAWN - RT	REVISED - ___
PLOT SCALE = \$SCALES	CHECKED - A.K.	REVISED - ___
PLOT DATE = 3/18/2021	DATE - MARCH 2021	REVISED - ___

**STATE OF ILLINOIS
DEPARTMENT OF TRANSPORTATION**

SCHEDULE OF QUANTITIES

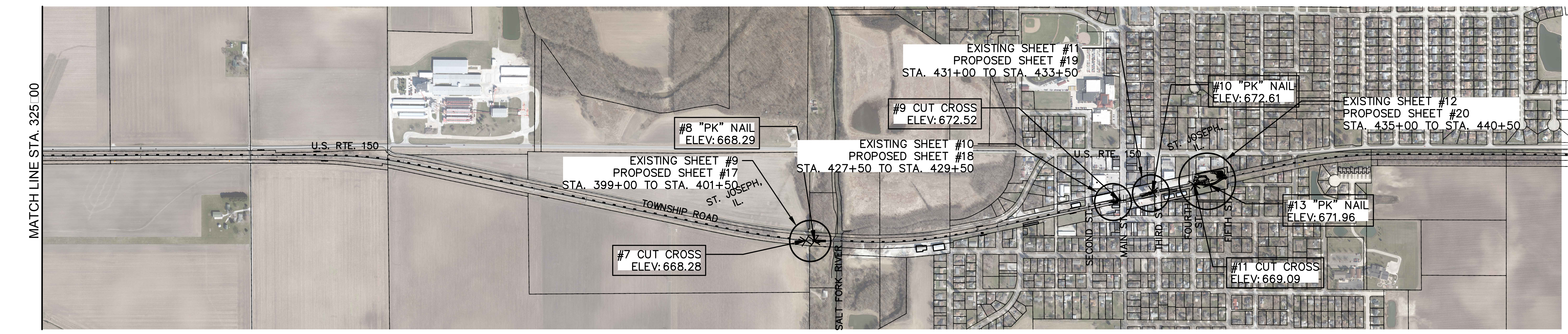
SCALE: N.T.S. SHEET NO. 1 OF 1 SHEETS

F.A.P. RTE.	SECTION	COUNTY	TOTAL SHEETS	SHEET NO.
-	08-F3000-04-BT	CHAMPAIGN	26	4
CONTRACT NO. 91605				
ILLINOIS FED. AID PROJECT				



BENCHMARKS

#2	N:1255163.1780	E:1031872.6780	ELEV:708.57	DESC: CUT CROSS
#3	N:1255214.0000	E:1048158.3340	ELEV:678.42	DESC: CUT CROSS
#4	N:1255213.5640	E:1047981.0790	ELEV:683.37	DESC: "PK" NAIL
#5	N:1255227.5300	E:1052172.4430	ELEV:677.88	DESC: CUT CROSS
#6	N:1255222.3690	E:1052110.8130	ELEV:677.87	DESC: "PK" NAIL
#7	N:1254427.2210	E:1062789.0030	ELEV:668.28	DESC: CUT CROSS
#8	N:1254423.5920	E:1062873.5480	ELEV:668.29	DESC: "PK" NAIL
#9	N:1254809.0210	E:1065784.6140	ELEV:672.52	DESC: CUT CROSS
#10	N:1254894.5770	E:1066097.8570	ELEV:672.61	DESC: "PK" NAIL
#11	N:1254960.8680	E:1066497.7490	ELEV:669.09	DESC: CUT CROSS
#13	N:1254956.2160	E:1066645.5730	ELEV:671.96	DESC: "PK" NAIL
#15	N:1255227.5120	E:1052172.4630	ELEV:677.82	DESC: CUT CROSS
#17	N:1254427.2320	E:1062788.9930	ELEV:668.48	DESC: CUT CROSS



FILE NAME: V:\Champaign County IPN\20034 Kickapoo Rail Trail
 Annotations\CAD\20034 KickapooRailTrail.dwg



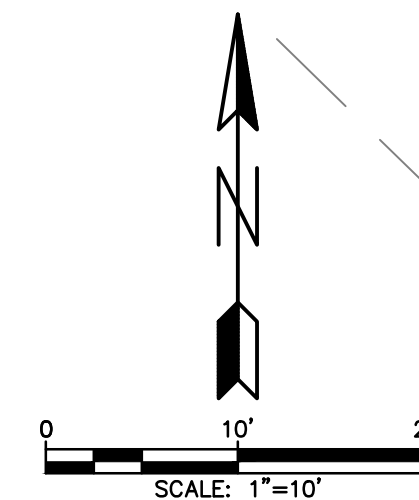
USER NAME = akustusch	DESIGNED — A.Z.	REVISED —
PLOT SCALE = \$SCALE\$	DRAWN — RT	REVISED —
PLOT DATE = 3/18/2021	CHECKED — A.K.	REVISED —
	DATE — MARCH 2021	REVISED —

STATE OF ILLINOIS
DEPARTMENT OF TRANSPORTATION

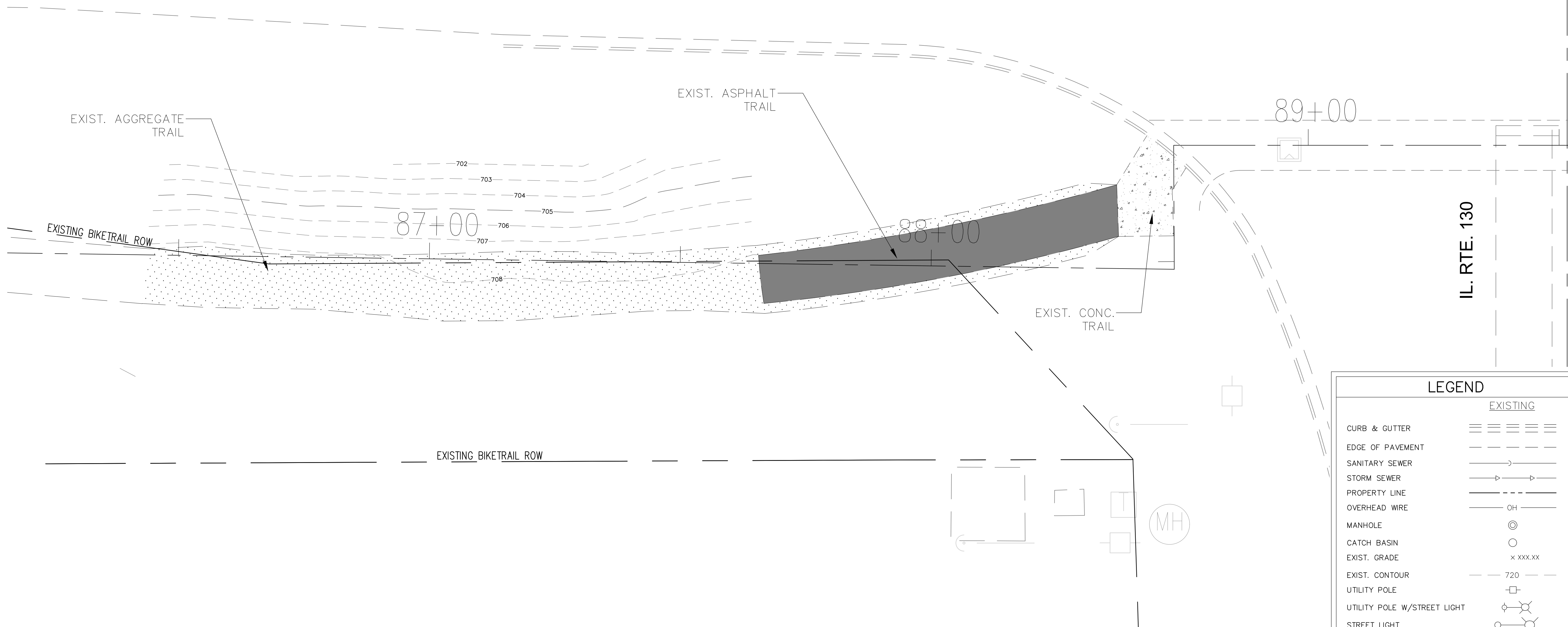
SHEET KEY PLAN AND BENCHMARKS

SCALE: 1"=500' SHEET NO. 1 OF 1 SHEETS STA. 4.00 TO STA. 442.00

F.A.P. RTE.	SECTION	COUNTY	TOTAL SHEETS	SHEET NO.
-	08-F3000-04-BT	CHAMPAIGN	26	5
CONTRACT NO. 91605				
ILLINOIS FED. AID PROJECT				



U.S. RTE. 150



LEGEND

EXISTING	
CURB & GUTTER	=====
EDGE OF PAVEMENT	-----
SANITARY SEWER	----->
STORM SEWER	----->>
PROPERTY LINE	-----
OVERHEAD WIRE	----- OH -----
MANHOLE	⊙
CATCH BASIN	⊙
EXIST. GRADE	x xxx.xx
EXIST. CONTOUR	--- 720 ---
UTILITY POLE	⊠
UTILITY POLE W/STREET LIGHT	⊠ --- ○ ---
STREET LIGHT	○ ---
SIGN	⊠
FENCE	--- x --- x ---
TREE LINE	~~~~~
TREE(DECIDUOUS)	
TREE(CONIFEROUS)	

FILE NAME: V:\Champaign County FP\20034 Kickepoo Rail Trail Amenities\CADD\20034 KickepooRailTrail.dwg



USER NAME = akustusch	DESIGNED -- A.Z.	REVISED --
PLOT SCALE = \$SCALE\$	DRAWN -- RT	REVISED --
PLOT DATE = 3/18/2021	CHECKED -- A.K.	REVISED --
	DATE -- MARCH 2021	REVISED --

STATE OF ILLINOIS
DEPARTMENT OF TRANSPORTATION

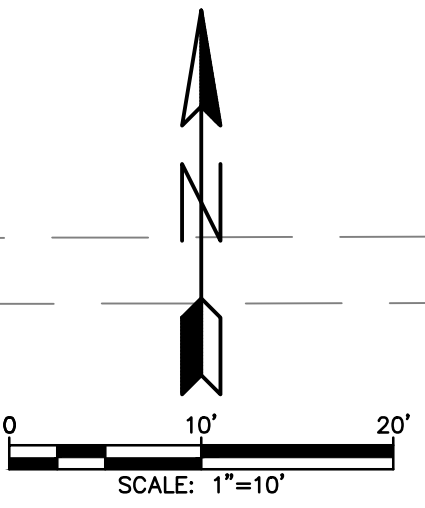
EXISTING CONDITIONS **DEMOLITION PLAN**
STA 000000 TO STA 000000

SCALE: 1"=10' SHEET NO. 1 OF 8 SHEETS STA. 86:50 TO STA. 89:50

F.A.P. RTE.	SECTION	COUNTY	TOTAL SHEETS	SHEET NO.
-	08-F3000-04-BT	CHAMPAIGN	26	6
CONTRACT NO. 91605				
ILLINOIS FED. AID PROJECT				

MOUNT OLIVE CEMETERY

U.S. RTE. 150



EXISTING BIKE TRAIL ROW

EXIST. AGGREGATE TRAIL

201+00

202+00

199+00

200+00

EXIST. BENCH

EXISTING BIKE TRAIL ROW

LEGEND

EXISTING

CURB & GUTTER	
EDGE OF PAVEMENT	
SANITARY SEWER	
STORM SEWER	
PROPERTY LINE	
OVERHEAD WIRE	
MANHOLE	
CATCH BASIN	
EXIST. GRADE	
EXIST. CONTOUR	
UTILITY POLE	
UTILITY POLE W/STREET LIGHT	
STREET LIGHT	
SIGN	
FENCE	
TREE LINE	
TREE(DECIDUOUS)	
TREE(CONIFEROUS)	

FILE NAME: V:\Champaign County FP C20034 Kickapoo Rail Trail
 Amenities\CADD\C20034 KickapooRailTrail.dwg



USER NAME = akustusch	DESIGNED — A.Z.	REVISED — —
PLOT SCALE = \$SCALE\$	DRAWN — RT	REVISED — —
PLOT DATE = 3/18/2021	CHECKED — A.K.	REVISED — —
	DATE — MARCH 2021	REVISED — —

STATE OF ILLINOIS
 DEPARTMENT OF TRANSPORTATION

EXISTING CONDITIONS DEMOLITION PLAN
 STA [] TO STA []

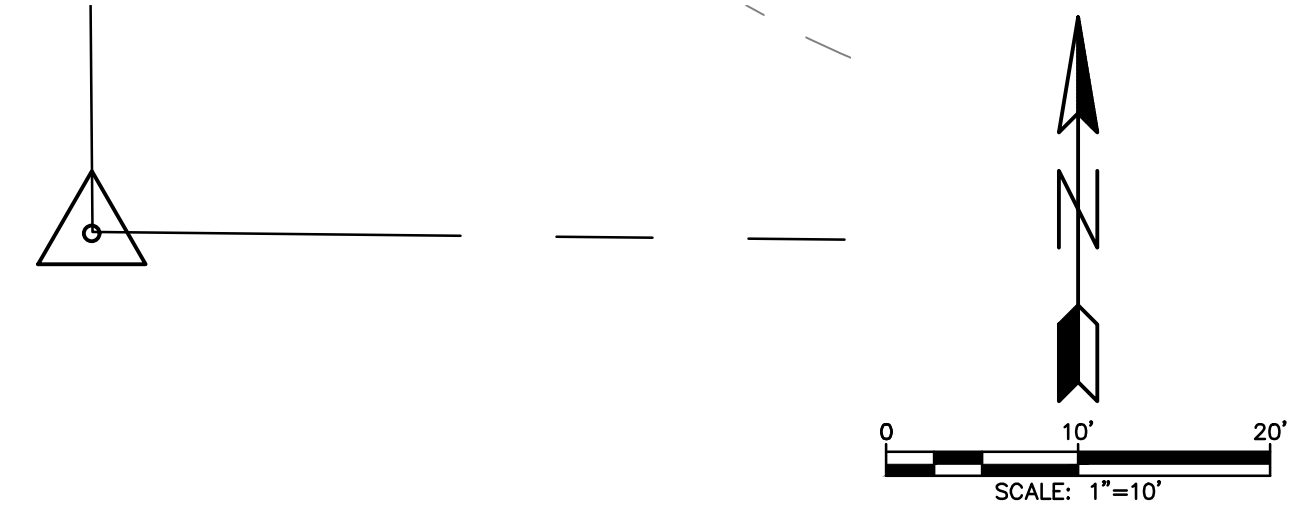
SCALE: 1"=10'

SHEET NO. 2 OF 8 SHEETS

STA. 199+00 TO STA. 202+00

F.A.P. RTE.	SECTION	COUNTY	TOTAL SHEETS	SHEET NO.
-	08-F3000-04-BT	CHAMPAIGN	26	□
			CONTRACT NO. 91605	
		ILLINOIS	FED. AID PROJECT	

U.S. RTE. 150



EXISTING BIKETRAIL ROW

EXISTING ASPHALT TRAIL

AGGREGATE SHOULDER
REMOVAL, 6 S.Y.

250+00

251+00

252+00

EXISTING BIKETRAIL ROW

CR. 1900 E.

LEGEND

EXISTING	
CURB & GUTTER	
EDGE OF PAVEMENT	
SANITARY SEWER	
STORM SEWER	
PROPERTY LINE	
OVERHEAD WIRE	
MANHOLE	
CATCH BASIN	
EXIST. GRADE	
EXIST. CONTOUR	
UTILITY POLE	
UTILITY POLE W/STREET LIGHT	
STREET LIGHT	
SIGN	
FENCE	
TREE LINE	
TREE(DECIDUOUS)	
TREE(CONIFEROUS)	

FILE NAME: V:\Champaign County FP\20034 Kikepoo Rail Trail
Amendia\CADD\20034 KikepooRail.dwg



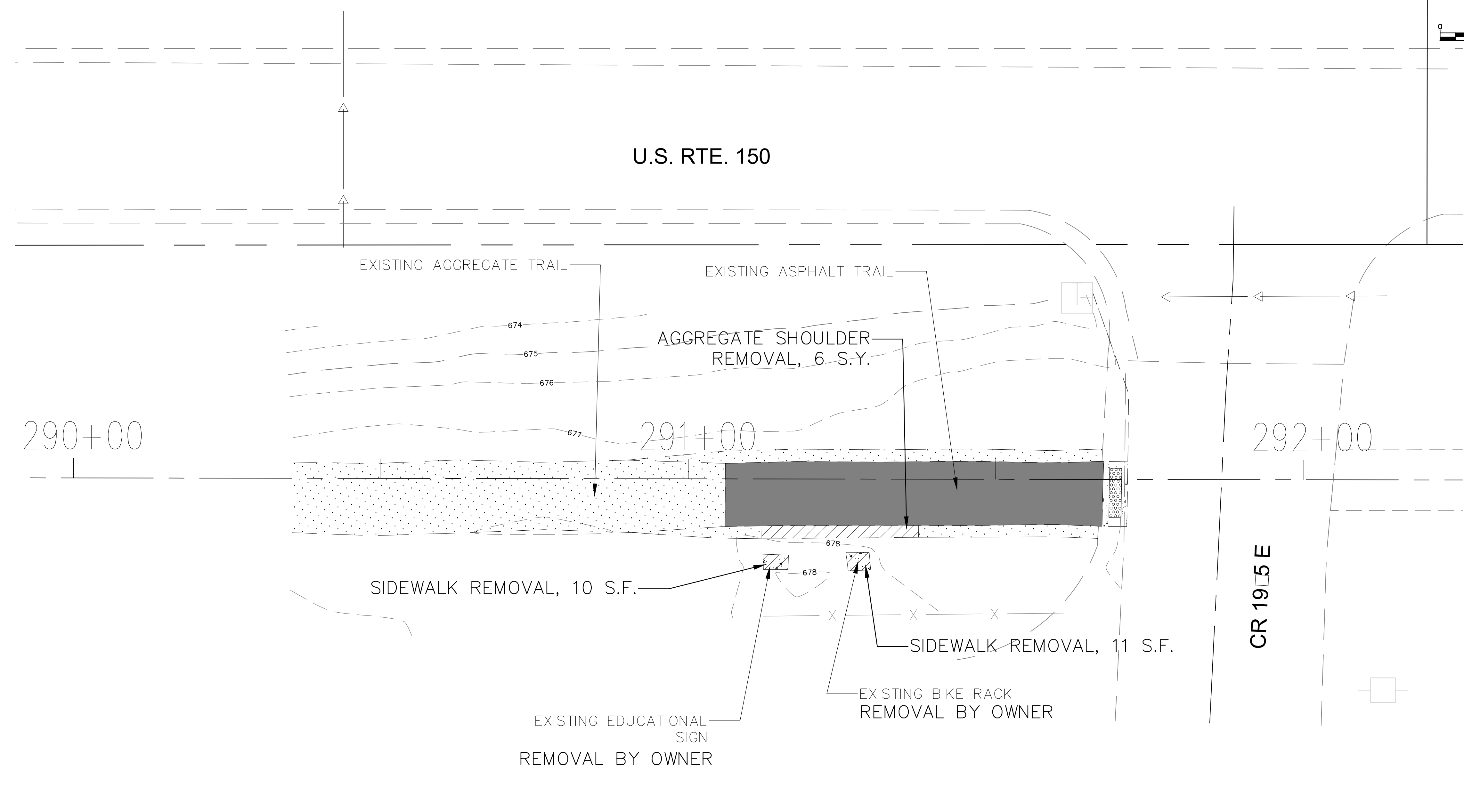
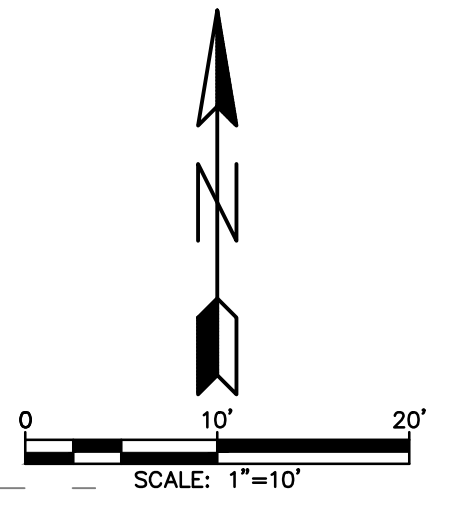
USER NAME = akustusch	DESIGNED — A.Z.	REVISED — —
	DRAWN — RT	REVISED — —
PLOT SCALE = \$SCALE\$	CHECKED — A.K.	REVISED — —
PLOT DATE = 3/18/2021	DATE — MARCH 2021	REVISED — —

STATE OF ILLINOIS
DEPARTMENT OF TRANSPORTATION

EXISTING CONDITIONS DEMOLITION PLAN
STA [] TO STA []

SCALE: 1"=10'
SHEET NO. 3 OF 8 SHEETS
STA. 249+50 TO STA. 252+00

F.A.P. RTE.	SECTION	COUNTY	TOTAL SHEETS	SHEET NO.
-	08-F3000-04-BT	CHAMPAIGN	26	8
CONTRACT NO. 91605				
ILLINOIS FED. AID PROJECT				



LEGEND	
EXISTING	
CURB & GUTTER	≡≡≡≡≡≡
EDGE OF PAVEMENT	- - - - -
SANITARY SEWER	—>—>—>
STORM SEWER	—▷—▷—▷
PROPERTY LINE	— · — · — ·
OVERHEAD WIRE	— OH —
MANHOLE	⊙
CATCH BASIN	○
EXIST. GRADE	x xxx.xx
EXIST. CONTOUR	- - 720 - -
UTILITY POLE	— □ —
UTILITY POLE W/STREET LIGHT	— □ — (with light symbol)
STREET LIGHT	○ (with light symbol)
SIGN	— □ —
FENCE	— x — x —
TREE LINE	~ ~ ~ ~ ~
TREE(DECIDUOUS)	(deciduous tree symbol)
TREE(CONIFEROUS)	(coniferous tree symbol)

FILE NAME: V:\Champaign County FP\C20034 Kikepoo Rail Trail
 Amenities\CADD\C20034 KikepooRailTrail.dwg



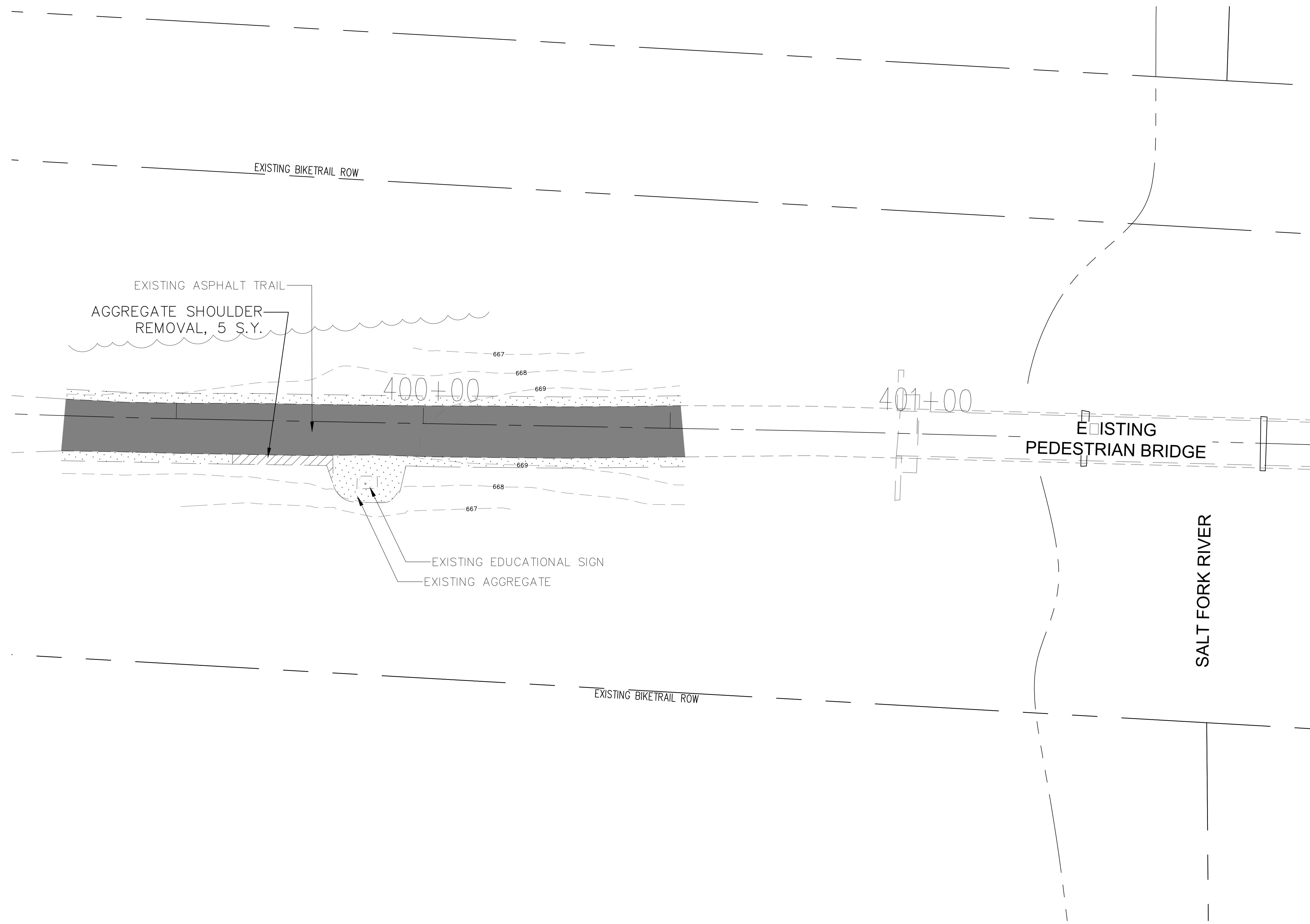
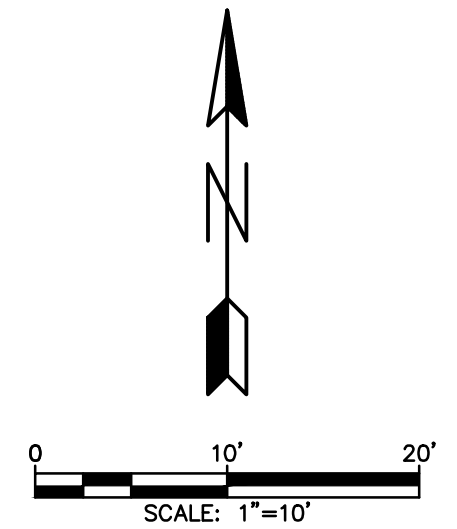
USER NAME = akustusch	DESIGNED — A.Z.	REVISED — —
PLOT SCALE = \$SCALE\$	DRAWN — RT	REVISED — —
PLOT DATE = 3/18/2021	CHECKED — A.K.	REVISED — —
	DATE — MARCH 2021	REVISED — —

**STATE OF ILLINOIS
DEPARTMENT OF TRANSPORTATION**

EXISTING CONDITIONS DEMOLITION PLAN
 STA [] TO STA []

SCALE: 1"=10' SHEET NO. 4 OF 8 SHEETS STA. 290+00 TO STA. 292+00

F.A.P. RTE.	SECTION	COUNTY	TOTAL SHEETS	SHEET NO.
-	08-F3000-04-BT	CHAMPAIGN	26	9
CONTRACT NO. 91605			ILLINOIS FED. AID PROJECT	



LEGEND	
EXISTING	
CURB & GUTTER	≡ ≡ ≡ ≡ ≡
EDGE OF PAVEMENT	- - - - -
SANITARY SEWER	—>)
STORM SEWER	—> ▸ ▸
PROPERTY LINE	- - - - -
OVERHEAD WIRE	— OH —
MANHOLE	⊙
CATCH BASIN	○
EXIST. GRADE	x xxx.xx
EXIST. CONTOUR	- - - 720 - - -
UTILITY POLE	□
UTILITY POLE W/STREET LIGHT	□ — ○ —
STREET LIGHT	○ —
SIGN	⊞
FENCE	- X - X -
TREE LINE	~~~~~
TREE(DECIDUOUS)	
TREE(CONIFEROUS)	

FILE NAME: V:\Champaign County FP\20034 Kikepoo Rail Trail Amenities\CADD\C20034 KikepooRailTrail.dwg



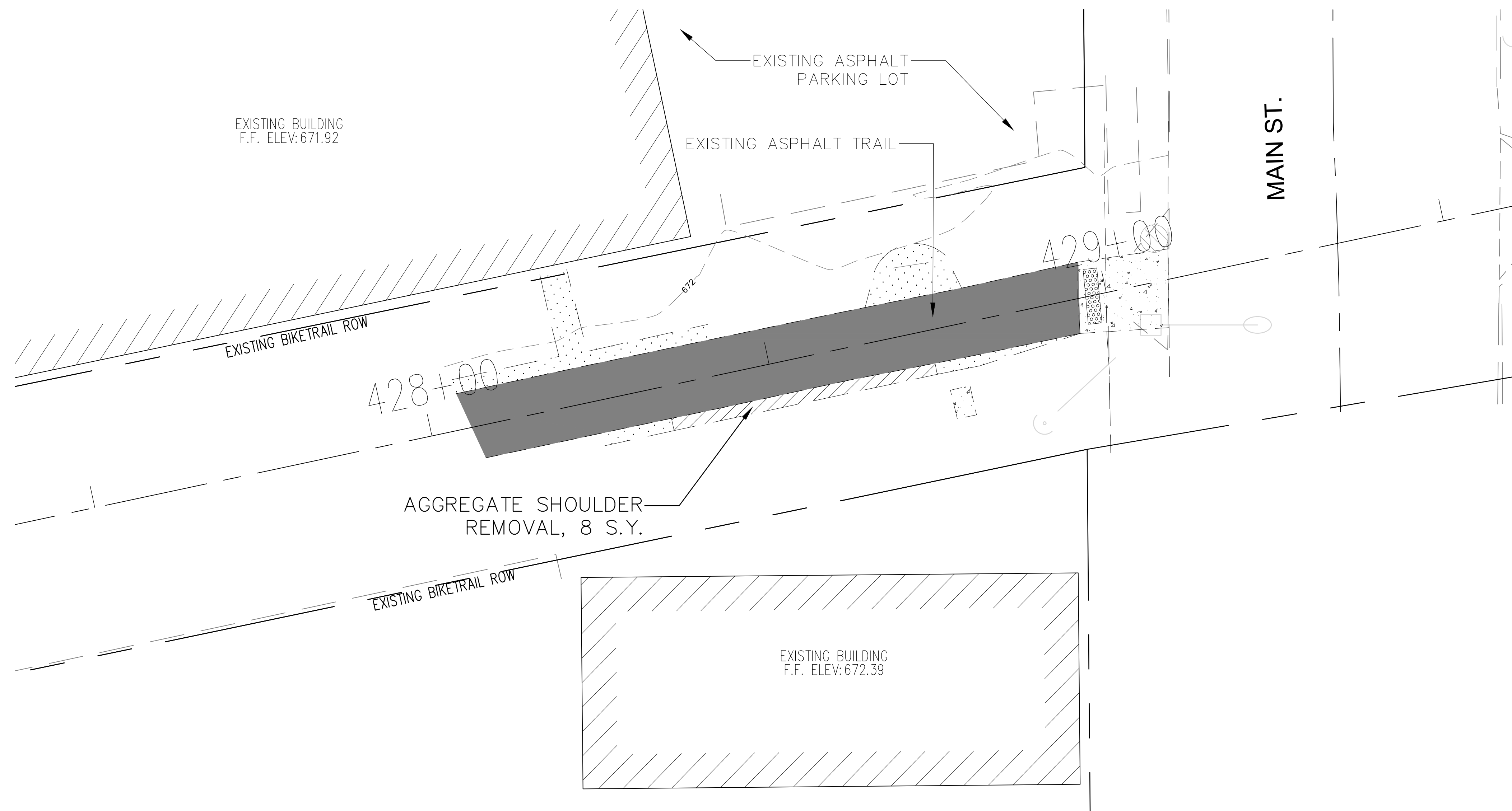
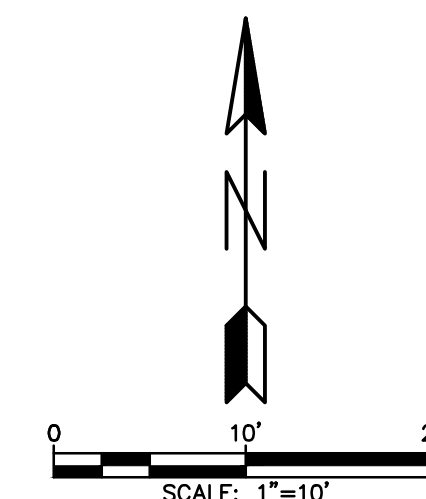
USER NAME = akustusch	DESIGNED — A.Z.	REVISED — —
	DRAWN — RT	REVISED — —
PLOT SCALE = \$SCALE\$	CHECKED — A.K.	REVISED — —
PLOT DATE = 3/18/2021	DATE — MARCH 2021	REVISED — —

STATE OF ILLINOIS
DEPARTMENT OF TRANSPORTATION

EXISTING CONDITIONS DEMOLITION PLAN
STA 399+50 TO STA 401+50

SCALE: 1"=10' SHEET NO. 5 OF 8 SHEETS STA. 399+50 TO STA. 401+50

F.A.P. RTE.	SECTION	COUNTY	TOTAL SHEETS	SHEET NO.
-	08-F3000-04-BT	CHAMPAIGN	26	10
CONTRACT NO. 91605				
ILLINOIS FED. AID PROJECT				



LEGEND	
EXISTING	
CURB & GUTTER	
EDGE OF PAVEMENT	
SANITARY SEWER	
STORM SEWER	
PROPERTY LINE	
OVERHEAD WIRE	
MANHOLE	
CATCH BASIN	
EXIST. GRADE	
EXIST. CONTOUR	
UTILITY POLE	
UTILITY POLE W/STREET LIGHT	
STREET LIGHT	
SIGN	
FENCE	
TREE LINE	
TREE(DECIDUOUS)	
TREE(CONIFEROUS)	

FILE NAME: V:\Champaign County FP_C20034 Kickepoole Rail Trail
Amendments\CADD\C20034 KickepooleRail.dwg



USER NAME = akustusch	DESIGNED — A.Z.	REVISED —
PLOT SCALE = \$SCALE\$	DRAWN — RT	REVISED —
PLOT DATE = 3/18/2021	CHECKED — A.K.	REVISED —
	DATE — MARCH 2021	REVISED —

STATE OF ILLINOIS
DEPARTMENT OF TRANSPORTATION

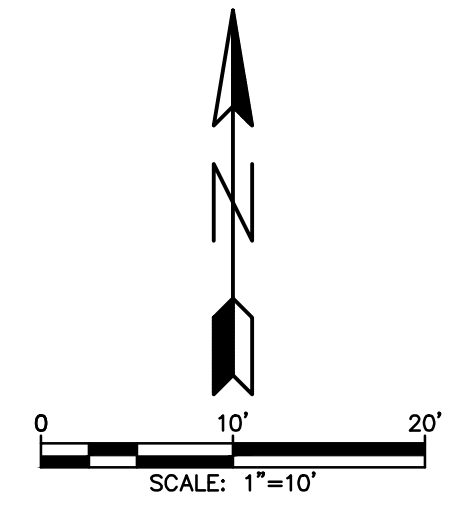
EXISTING CONDITIONS DEMOLITION PLAN
STA 428+00 TO STA 429+00

SCALE: 1"=10'

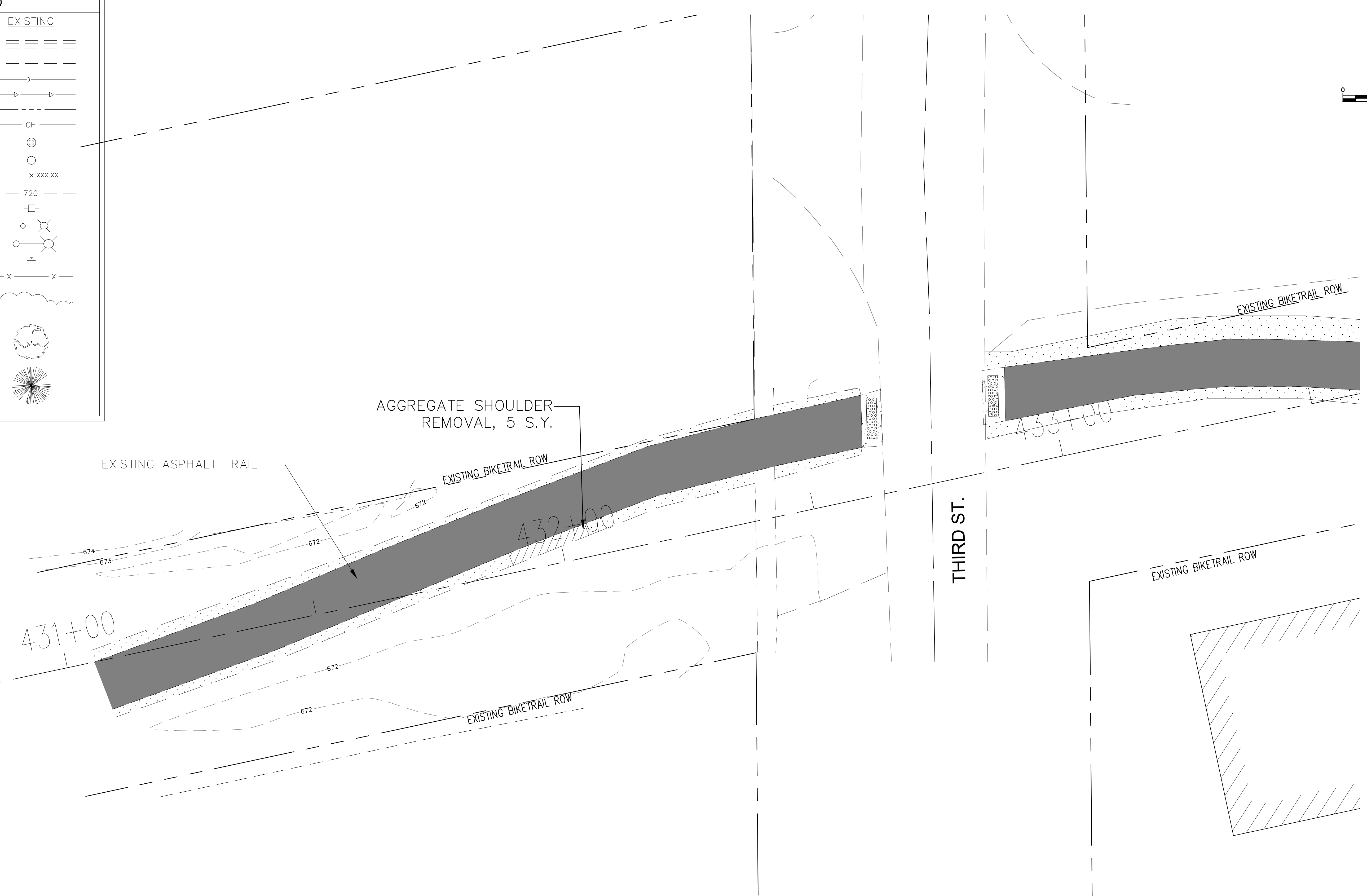
SHEET NO. 6 OF 8 SHEETS

STA. 428+50 TO STA. 429+50

F.A.P. RTE.	SECTION	COUNTY	TOTAL SHEETS	SHEET NO.
-	08-F3000-04-BT	CHAMPAIGN	26	11
CONTRACT NO. 91605				
ILLINOIS		FED. AID PROJECT		



LEGEND	
EXISTING	
CURB & GUTTER	≡ ≡ ≡ ≡ ≡
EDGE OF PAVEMENT	- - - - -
SANITARY SEWER	—>—>—>—>—>
STORM SEWER	—>—>—>—>—>
PROPERTY LINE	- - - - -
OVERHEAD WIRE	— OH —
MANHOLE	⊙
CATCH BASIN	○
EXIST. GRADE	x xxx.xx
EXIST. CONTOUR	- - - 720 - - -
UTILITY POLE	□
UTILITY POLE W/STREET LIGHT	□ with light symbol
STREET LIGHT	○ with light symbol
SIGN	⊥
FENCE	- x - x -
TREE LINE	~ ~ ~ ~ ~
TREE(DECIDUOUS)	
TREE(CONIFEROUS)	



FILE NAME: V:\Champaign County FP C20034 Kickepoo Rail Trail
Amendments\CADD\C20034 KickepooRailTrail.dwg



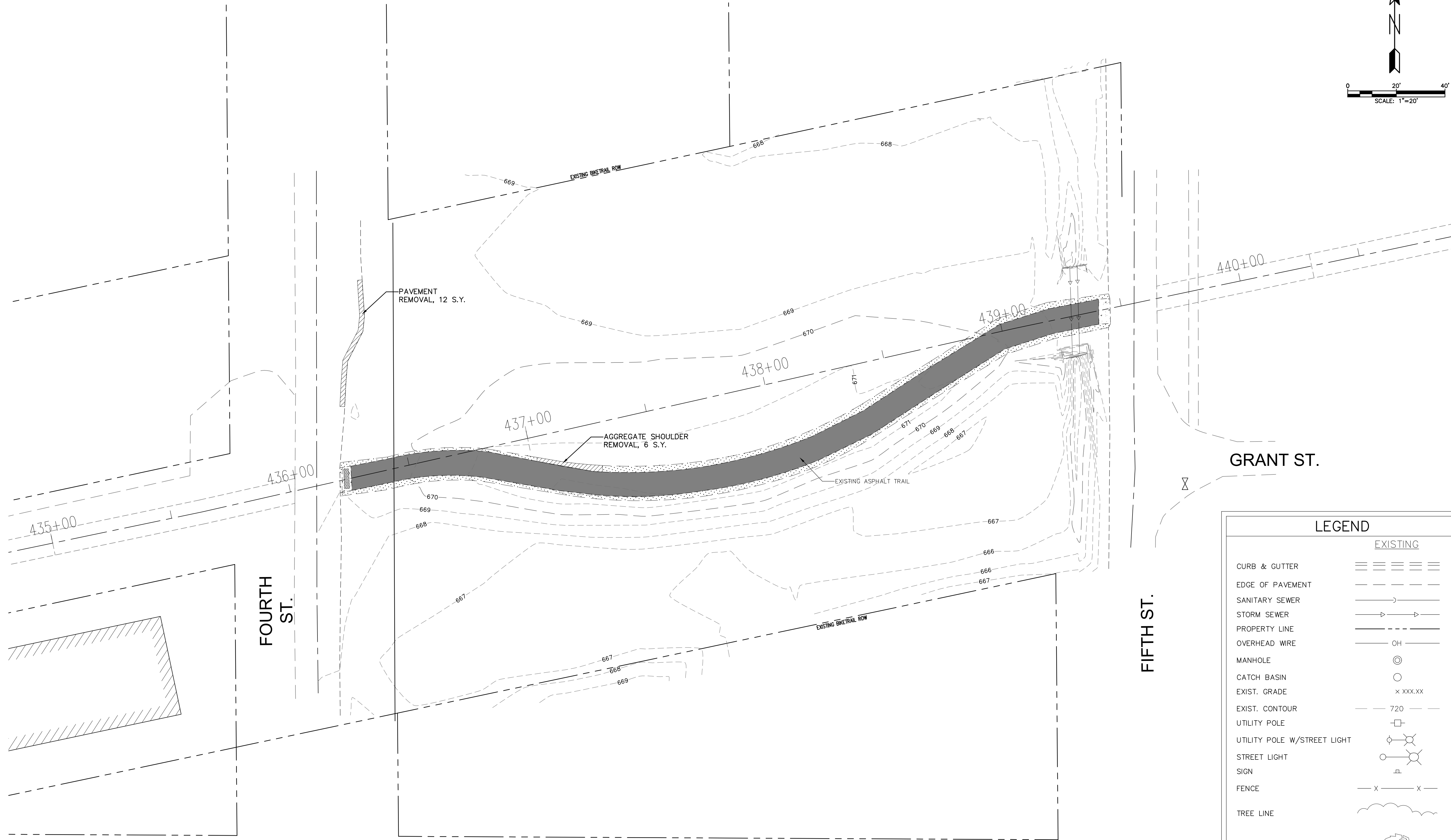
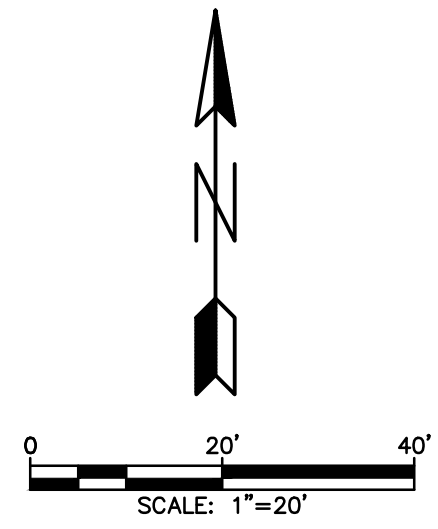
USER NAME = akustusch	DESIGNED — A.Z.	REVISED — —
PLOT SCALE = \$SCALE\$	DRAWN — RT	REVISED — —
PLOT DATE = 3/18/2021	CHECKED — A.K.	REVISED — —
	DATE — MARCH 2021	REVISED — —

**STATE OF ILLINOIS
DEPARTMENT OF TRANSPORTATION**

EXISTING CONDITIONS DEMOLITION PLAN
STA [] TO STA []

SCALE: 1"=10' SHEET NO. [] OF 8 SHEETS STA. 431+00 TO STA. 433+50

F.A.P. RTE.	SECTION	COUNTY	TOTAL SHEETS	SHEET NO.
-	08-F3000-04-BT	CHAMPAIGN	26	12
			CONTRACT NO. 91605	
		ILLINOIS	FED. AID PROJECT	



LEGEND	
EXISTING	
CURB & GUTTER	
EDGE OF PAVEMENT	
SANITARY SEWER	
STORM SEWER	
PROPERTY LINE	
OVERHEAD WIRE	
MANHOLE	
CATCH BASIN	
EXIST. GRADE	
EXIST. CONTOUR	
UTILITY POLE	
UTILITY POLE W/STREET LIGHT	
STREET LIGHT	
SIGN	
FENCE	
TREE LINE	
TREE(DECIDUOUS)	
TREE(CONIFEROUS)	

FILE NAME: V:\Champaign County FP\20034 Kikepoo Rail Trail
Amendments\CADD\20034 KikepooRailTrail.dwg



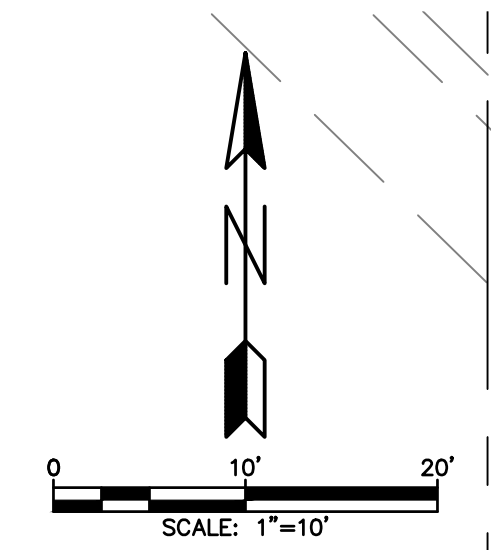
USER NAME = akustusch	DESIGNED — A.Z.	REVISED — —
	DRAWN — RT	REVISED — —
PLOT SCALE = \$SCALE\$	CHECKED — A.K.	REVISED — —
PLOT DATE = 3/18/2021	DATE — MARCH 2021	REVISED — —

**STATE OF ILLINOIS
DEPARTMENT OF TRANSPORTATION**

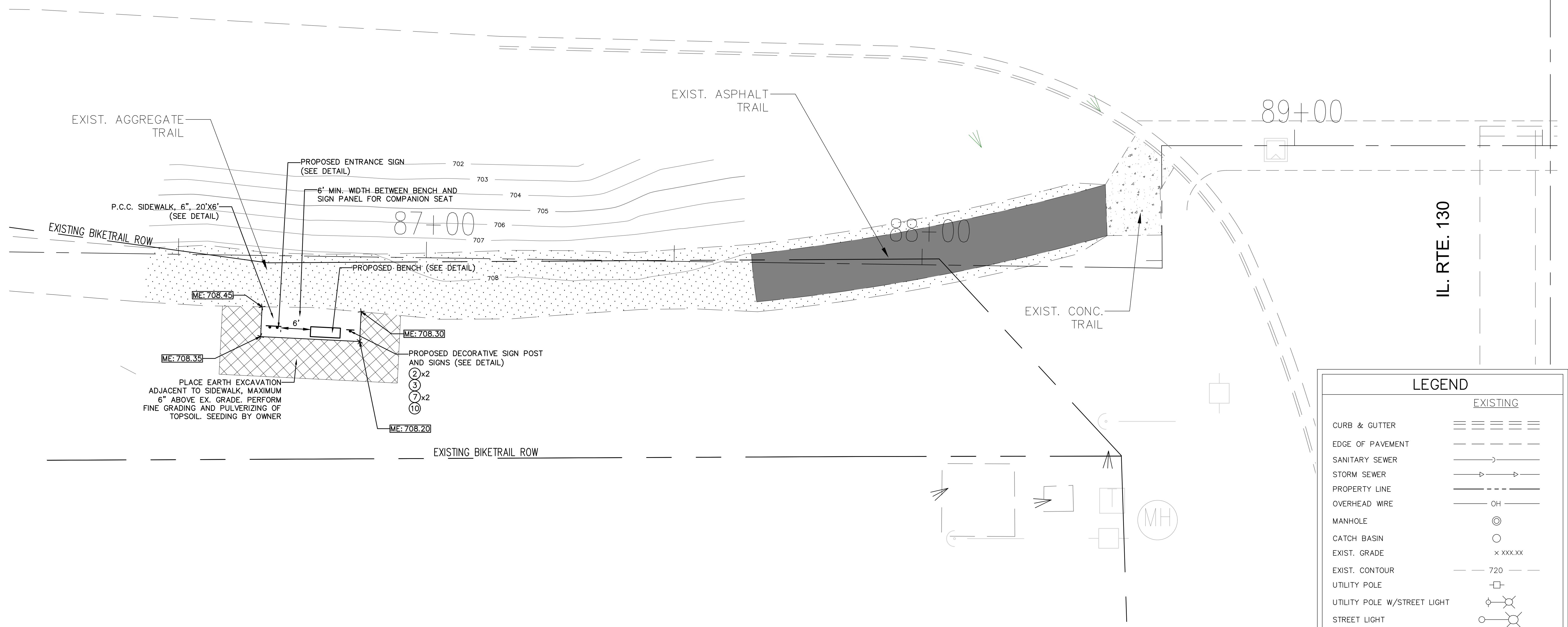
**EXISTING CONDITIONS DEMOLITION PLAN
STA. 435+00 TO STA. 440+00**

SCALE: 1"=20' SHEET NO. 8 OF 8 SHEETS STA. 435+00 TO STA. 440+00

F.A.P. RTE.	SECTION	COUNTY	TOTAL SHEETS	SHEET NO.
-	08-F3000-04-BT	CHAMPAIGN	26	13
CONTRACT NO. 91605				
ILLINOIS FED. AID PROJECT				



U.S. RTE. 150



LEGEND	
EXISTING	
CURB & GUTTER	≡≡≡≡≡≡
EDGE OF PAVEMENT	- - - - -
SANITARY SEWER	—>—>
STORM SEWER	—▷—▷—▷
PROPERTY LINE	- - - - -
OVERHEAD WIRE	— OH —
MANHOLE	⊙
CATCH BASIN	○
EXIST. GRADE	x xxx.xx
EXIST. CONTOUR	- - - 720 - - -
UTILITY POLE	-□-
UTILITY POLE W/STREET LIGHT	□—○—
STREET LIGHT	○—
SIGN	□
FENCE	- x - x -
TREE LINE	~~~~~
TREE(DECIDUOUS)	
TREE(CONIFEROUS)	

NOTE: ①x2 REFERS TO TYPE AND NUMBER OF SIGN PANELS AT EACH LOCATION. SEE DETAILS SHEET FOR DETAIL SIGN DESCRIPTIONS.

FILE NAME: V:\Champaign County FP\20034 Kikapoo Rail Trail Amenities\CADD\20034 KikapooRailTrail-Proposed.dwg



USER NAME = akustusch	DESIGNED - A.Z.	REVISED -
PLOT SCALE = \$SCALE\$	DRAWN - RT	REVISED -
PLOT DATE = 3/18/2021	CHECKED - A.K.	REVISED -
	DATE - MARCH 2021	REVISED -

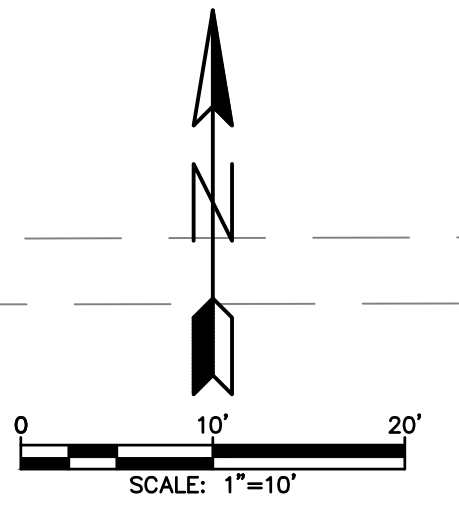
CHAMPAIGN COUNTY FOREST PRESERVATION DISTRICT
KIKAPOO RAIL TRAIL AMENITIES

PROPOSED IMPROVEMENTS	
STA 86+50 TO STA 89+50	
SCALE: 1"=10'	SHEET NO. 1 OF 8 SHEETS
STA. 86: 50 TO STA. 89: 50	

F.A.P. RTE.	SECTION	COUNTY	TOTAL SHEETS	SHEET NO.
-	08-F3000-04-BT	CHAMPAIGN	26	14
CONTRACT NO. 91605				
ILLINOIS FED. AID PROJECT				

MOUNT OLIVE CEMETERY

U.S. RTE. 150



EXISTING BIKE TRAIL ROW

P.C.C. SIDEWALK, 6", 5'X2'
(SEE DETAIL)

PROPOSED INTERPRETIVE SIGNAGE COMPLETE
(SEE DETAIL)

PROPOSED LIMESTONE SIDEWALK,
6 S.Y. (SEE DETAIL)

PROPOSED STONE RIPRAP, CLASS A3,
1.2 TONS

PLACE EARTH EXCAVATION ADJACENT
TO SIDEWALK, MAXIMUM 6" ABOVE EX.
GRADE. PERFORM FINE GRADING AND
PULVERIZING OF TOPSOIL. SEEDING BY OWNER

EXIST. AGGREGATE
TRAIL

199+00

200+00

201+00

202+00

MATCH
EXISTING

MATCH
EXISTING

EXIST. BENCH

EXISTING BIKE TRAIL ROW

LEGEND

EXISTING

CURB & GUTTER	
EDGE OF PAVEMENT	
SANITARY SEWER	
STORM SEWER	
PROPERTY LINE	
OVERHEAD WIRE	
MANHOLE	
CATCH BASIN	
EXIST. GRADE	
EXIST. CONTOUR	
UTILITY POLE	
UTILITY POLE W/STREET LIGHT	
STREET LIGHT	
SIGN	
FENCE	
TREE LINE	
TREE(DECIDUOUS)	
TREE(CONIFEROUS)	

NOTE: ①x2 REFERS TO TYPE AND NUMBER OF SIGN PANELS AT EACH LOCATION. SEE DETAILS SHEET FOR DETAIL SIGN DESCRIPTIONS.

FILE NAME: V:\Champaign County FP\C20034 Kickapoo Rail Trail Amenities\CADD\C20034 KickapooRailTrail-Proposed.dwg

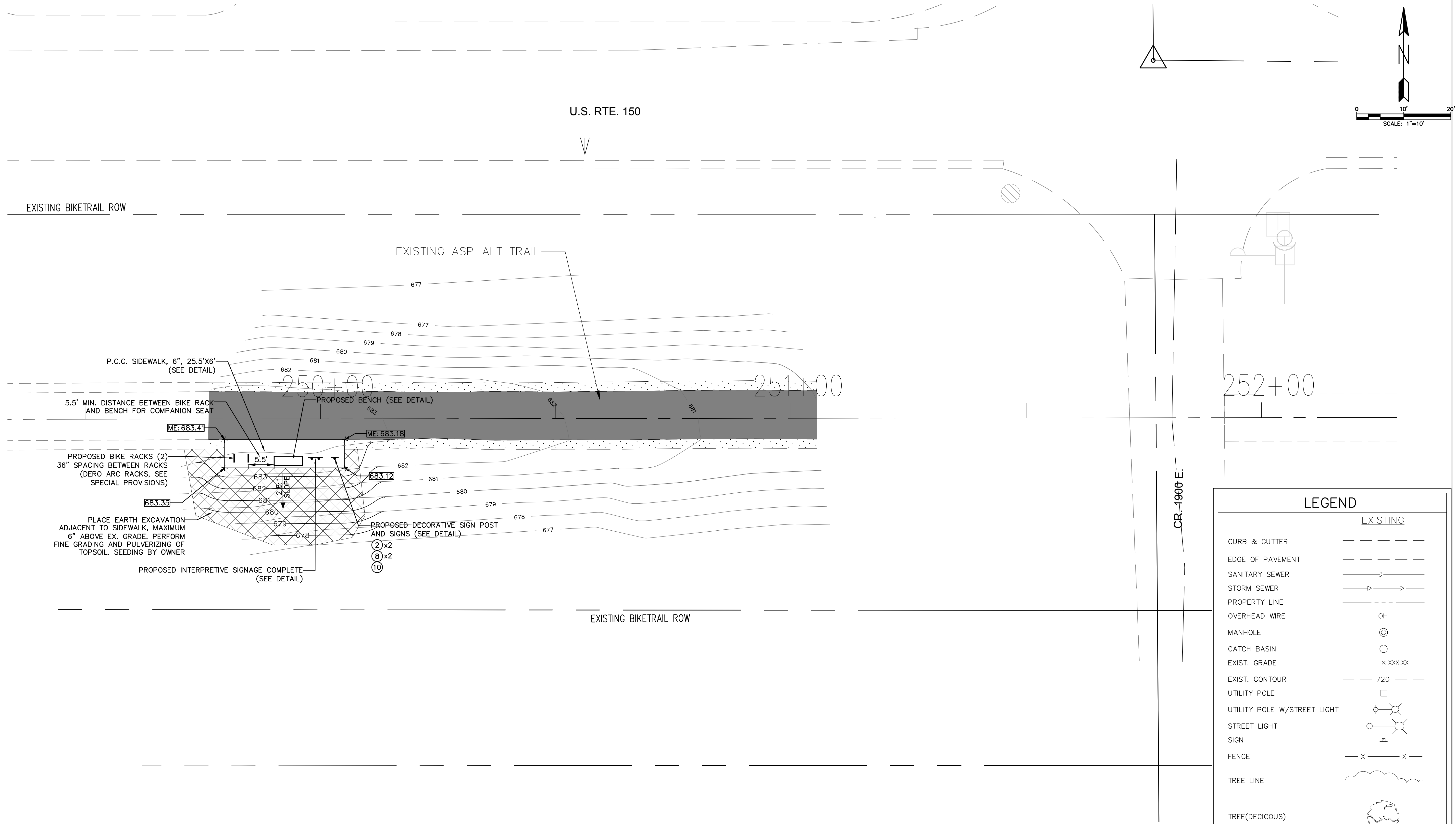


USER NAME = akustusch	DESIGNED - A.Z.	REVISED -
PLOT SCALE = \$SCALE\$	DRAWN - RT	REVISED -
PLOT DATE = 3/18/2021	CHECKED - A.K.	REVISED -
	DATE - MARCH 2021	REVISED -

CHAMPAIGN COUNTY FOREST PRESERVATION DISTRICT
KICKAPOO RAIL TRAIL AMENITIES

PROPOSED IMPROVEMENTS	
STA 199+00 TO STA 202+00	
SCALE: 1"=10'	SHEET NO. 2 OF 8 SHEETS
STA. 199+00 TO STA. 202+00	

F.A.P. RTE.	SECTION	COUNTY	TOTAL SHEETS	SHEET NO.
-	08-F3000-04-BT	CHAMPAIGN	26	15
CONTRACT NO. 91605				
ILLINOIS FED. AID PROJECT				



P.C.C. SIDEWALK, 6", 25.5'X6'
(SEE DETAIL)

5.5' MIN. DISTANCE BETWEEN BIKE RACK
AND BENCH FOR COMPANION SEAT

PROPOSED BIKE RACKS (2)
36" SPACING BETWEEN RACKS
(DERO ARC RACKS, SEE
SPECIAL PROVISIONS)

PLACE EARTH EXCAVATION
ADJACENT TO SIDEWALK, MAXIMUM
6" ABOVE EX. GRADE. PERFORM
FINE GRADING AND PULVERIZING OF
TOPSOIL. SEEDING BY OWNER

PROPOSED INTERPRETIVE SIGNAGE COMPLETE
(SEE DETAIL)

PROPOSED BENCH (SEE DETAIL)

PROPOSED DECORATIVE SIGN POST
AND SIGNS (SEE DETAIL)

- (2) x2
- (8) x2
- (10)

LEGEND	
EXISTING	
CURB & GUTTER	
EDGE OF PAVEMENT	
SANITARY SEWER	
STORM SEWER	
PROPERTY LINE	
OVERHEAD WIRE	
MANHOLE	
CATCH BASIN	
EXIST. GRADE	
EXIST. CONTOUR	
UTILITY POLE	
UTILITY POLE W/STREET LIGHT	
STREET LIGHT	
SIGN	
FENCE	
TREE LINE	
TREE(DECIDUOUS)	
TREE(CONIFEROUS)	

NOTE: (1) x2 REFERS TO TYPE AND NUMBER OF SIGN PANELS AT EACH LOCATION. SEE DETAILS SHEET FOR DETAIL SIGN DESCRIPTIONS.

FILE NAME: V:\Champaign County FP C20034 Kickapoo Rail Trail Amenities\CADD\C20034 KickapooRailTrail-Proposed.dwg

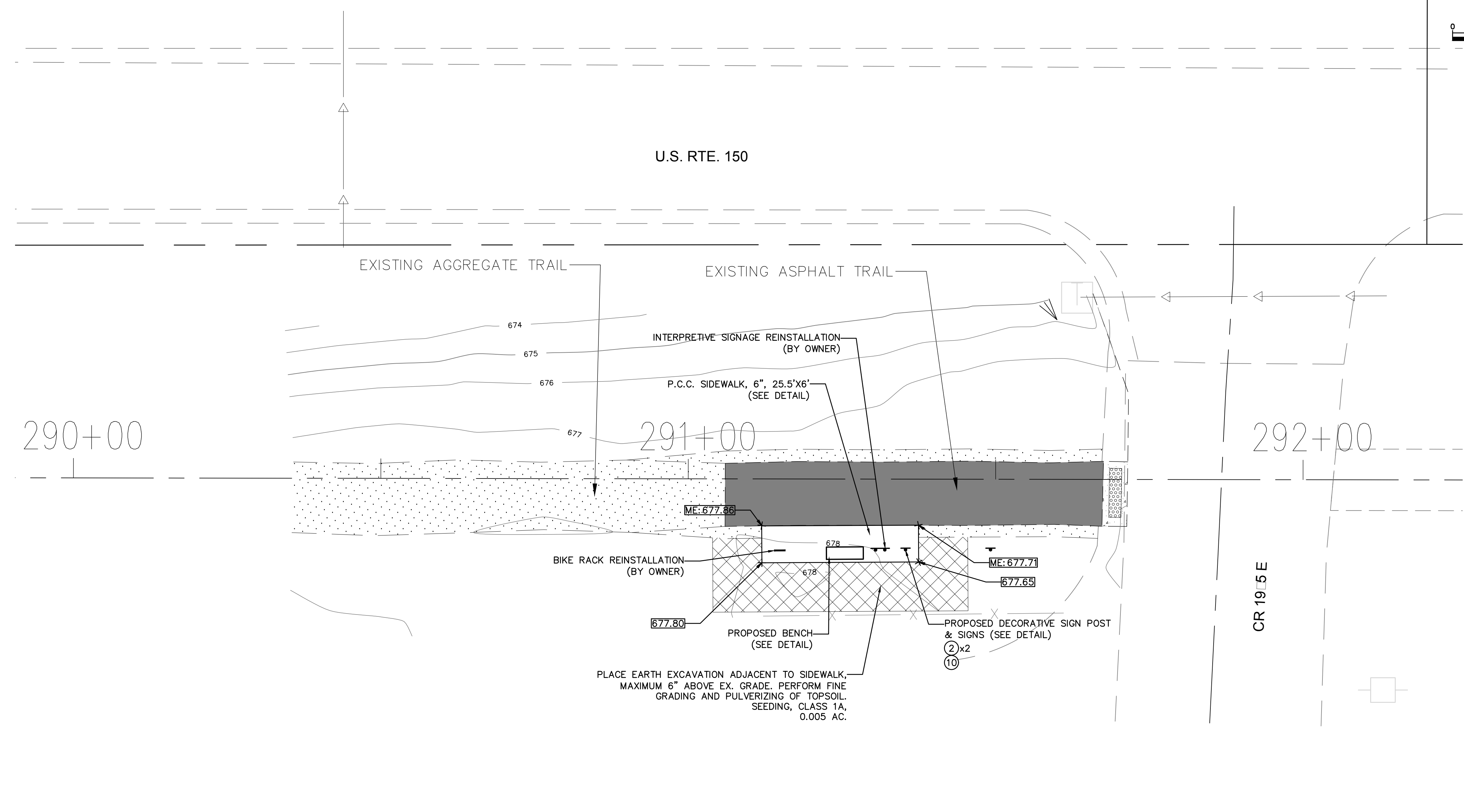
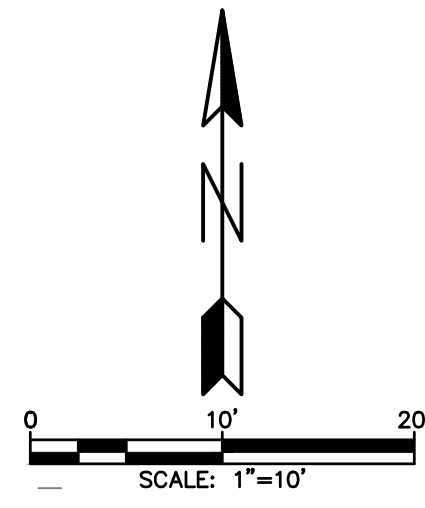


USER NAME = akustusch	DESIGNED - A.Z.	REVISED -
PLOT SCALE = \$\$\$CALE\$\$	DRAWN - RT	REVISED -
PLOT DATE = 3/18/2021	CHECKED - A.K.	REVISED -
	DATE - MARCH 2021	REVISED -

CHAMPAIGN COUNTY FOREST PRESERVATION DISTRICT
KICKAPOO RAIL TRAIL AMENITIES

PROPOSED IMPROVEMENTS STA 249+00 TO STA 252+00	
SCALE: 1"=10'	SHEET NO. 3 OF 8 SHEETS
STA. 249+50 TO STA. 252+00	

F.A.P. RTE.	SECTION	COUNTY	TOTAL SHEETS	SHEET NO.
-	08-F3000-04-BT	CHAMPAIGN	26	16
CONTRACT NO. 91605				
ILLINOIS FED. AID PROJECT				



LEGEND	
EXISTING	
CURB & GUTTER	≡≡≡≡≡≡
EDGE OF PAVEMENT	- - - - -
SANITARY SEWER	—>—>—>
STORM SEWER	—▷—▷—▷
PROPERTY LINE	- - - - -
OVERHEAD WIRE	— OH —
MANHOLE	⊙
CATCH BASIN	○
EXIST. GRADE	x xxx.xx
EXIST. CONTOUR	- - 720 - -
UTILITY POLE	—□—
UTILITY POLE W/STREET LIGHT	—□— with light symbol
STREET LIGHT	○ with light symbol
SIGN	—□— with 'R' symbol
FENCE	— X — X —
TREE LINE	~ ~ ~ ~ ~
TREE(DECIDUOUS)	⊕
TREE(CONIFEROUS)	⊙

EXISTING

NOTE: ①x2 REFERS TO TYPE AND NUMBER OF SIGN PANELS AT EACH LOCATION. SEE DETAILS SHEET FOR DETAIL SIGN DESCRIPTIONS.

FILE NAME: V:\Champaign County FP\20034 Kikapoo Rail Trail Amenities\CADD\20034 KikapooRailTrail-Proposed.dwg

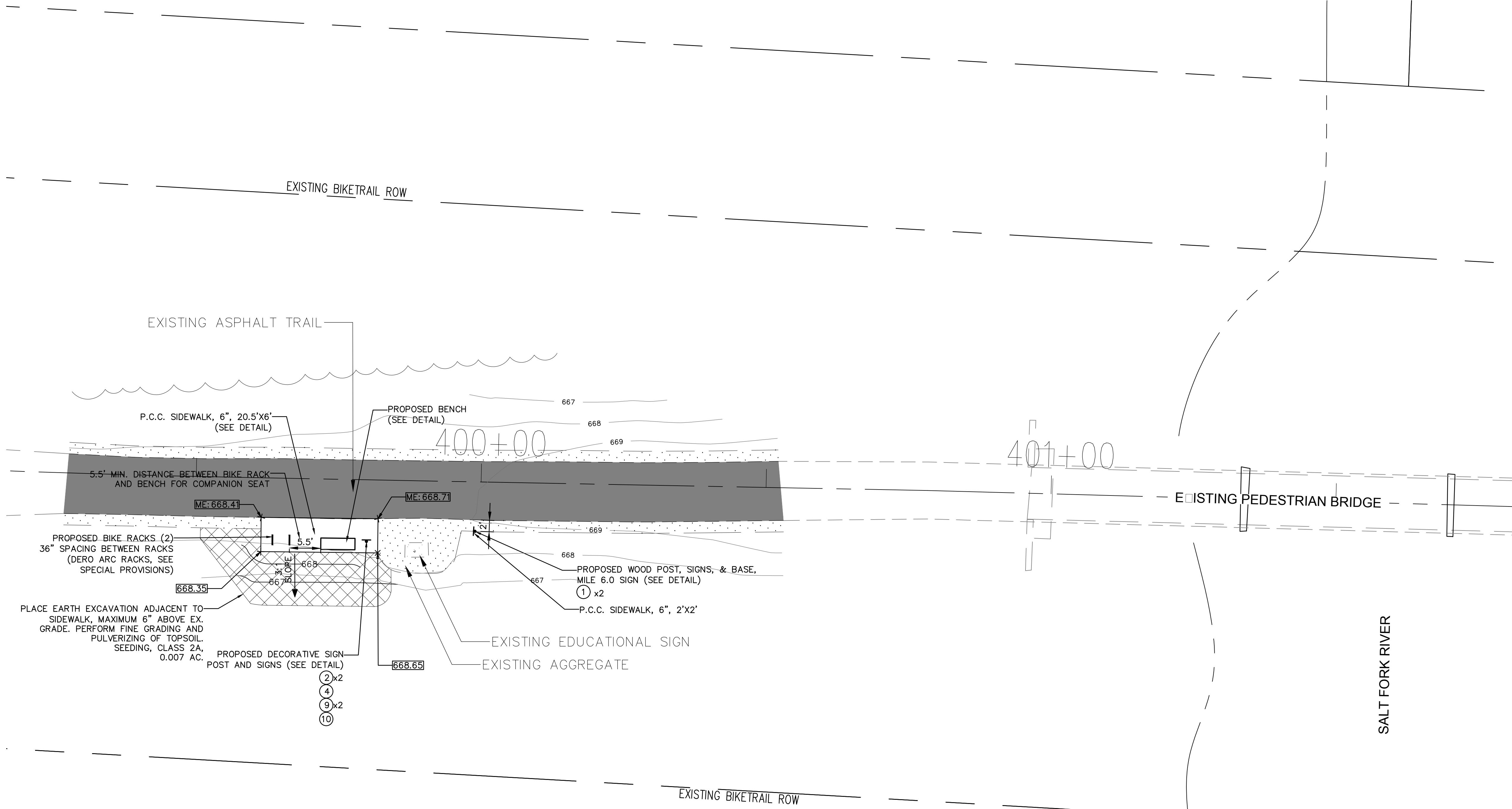
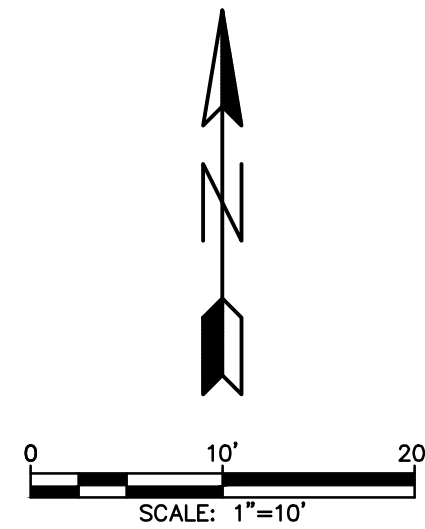


USER NAME = akustusch	DESIGNED - A.Z.	REVISED - —
PLOT SCALE = \$SCALE\$	DRAWN - RT	REVISED - —
PLOT DATE = 3/18/2021	CHECKED - A.K.	REVISED - —
	DATE - MARCH 2021	REVISED - —

CHAMPAIGN COUNTY FOREST PRESERVATION DISTRICT
KIKAPOO RAIL TRAIL AMENITIES

PROPOSED IMPROVEMENTS		
STA 290+00 TO STA 292+00		
SCALE: 1"=10'	SHEET NO. 4 OF 8 SHEETS	STA. 290+00 TO STA. 292+00

F.A.P. RTE.	SECTION	COUNTY	TOTAL SHEETS	SHEET NO.
-	08-F3000-04-BT	CHAMPAIGN	26	1
CONTRACT NO. 91605				
ILLINOIS FED. AID PROJECT				



LEGEND	
EXISTING	
CURB & GUTTER	≡ ≡ ≡ ≡ ≡
EDGE OF PAVEMENT	— — — — —
SANITARY SEWER	— — — — —
STORM SEWER	— — — — —
PROPERTY LINE	— — — — —
OVERHEAD WIRE	— OH —
MANHOLE	⊙
CATCH BASIN	○
EXIST. GRADE	x xxx.xx
EXIST. CONTOUR	— 720 —
UTILITY POLE	□
UTILITY POLE W/STREET LIGHT	□ — ○ —
STREET LIGHT	○ —
SIGN	⊞
FENCE	— X — X —
TREE LINE	~~~~~
TREE(DECIDUOUS)	
TREE(CONIFEROUS)	

NOTE: ①x2 REFERS TO TYPE AND NUMBER OF SIGN PANELS AT EACH LOCATION. SEE DETAILS SHEET FOR DETAIL SIGN DESCRIPTIONS.

FILE NAME: V:\Champaign County FP\C20034 Kikeapoo Rail Trail Amenities\CAD\C20034 KikeapooRailTrail-Proposed.dwg

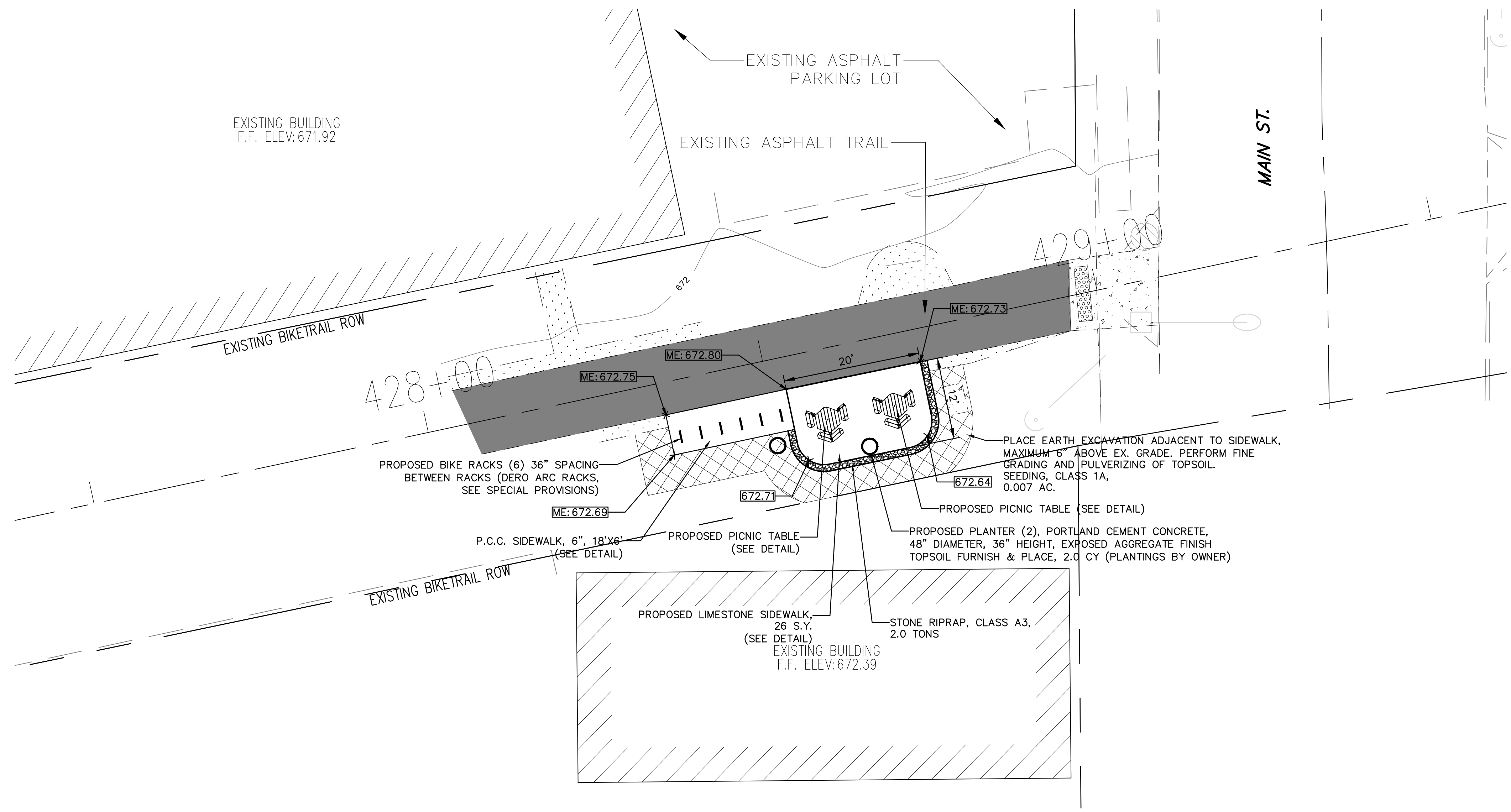
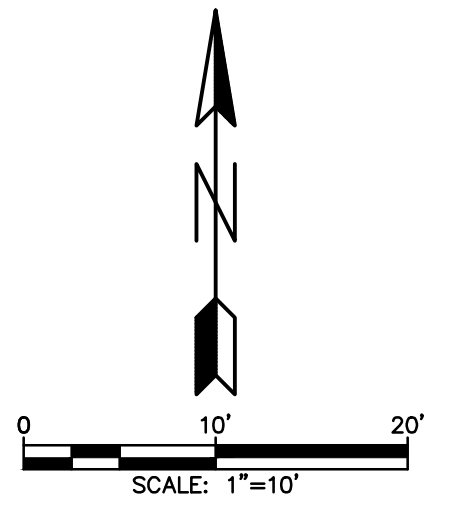


USER NAME = akustusch	DESIGNED - A.Z.	REVISED -
	DRAWN - RT	REVISED -
PLOT SCALE = \$SCALE\$	CHECKED - A.K.	REVISED -
PLOT DATE = 3/18/2021	DATE - MARCH 2021	REVISED -

CHAMPAIGN COUNTY FOREST PRESERVATION DISTRICT
KICAPOO RAIL TRAIL AMENITIES

PROPOSED IMPROVEMENTS
STA 399+50 TO STA 401+50
SCALE: 1"=10'
SHEET NO. 5 OF 8 SHEETS
STA. 399+50 TO STA. 401+50

F.A.P. RTE.	SECTION	COUNTY	TOTAL SHEETS	SHEET NO.
-	08-F3000-04-BT	CHAMPAIGN	26	18
CONTRACT NO. 91605				
ILLINOIS FED. AID PROJECT				



LEGEND	
EXISTING	
CURB & GUTTER	
EDGE OF PAVEMENT	
SANITARY SEWER	
STORM SEWER	
PROPERTY LINE	
OVERHEAD WIRE	
MANHOLE	
CATCH BASIN	
EXIST. GRADE	
EXIST. CONTOUR	
UTILITY POLE	
UTILITY POLE W/STREET LIGHT	
STREET LIGHT	
SIGN	
FENCE	
TREE LINE	
TREE(DECIDUOUS)	
TREE(CONIFEROUS)	

NOTE: ①x2 REFERS TO TYPE AND NUMBER OF SIGN PANELS AT EACH LOCATION. SEE DETAILS SHEET FOR DETAIL SIGN DESCRIPTIONS.

FILE NAME: V:\Champaign County FP\20034 Kikapoo Rail Trail Amenities\CADD\C20034 KikapooRailTrail-Proposed.dwg



USER NAME = akustusch	DESIGNED - A.Z.	REVISED -
PLOT SCALE = \$SCALE\$	DRAWN - RT	REVISED -
PLOT DATE = 3/18/2021	CHECKED - A.K.	REVISED -
	DATE - MARCH 2021	REVISED -

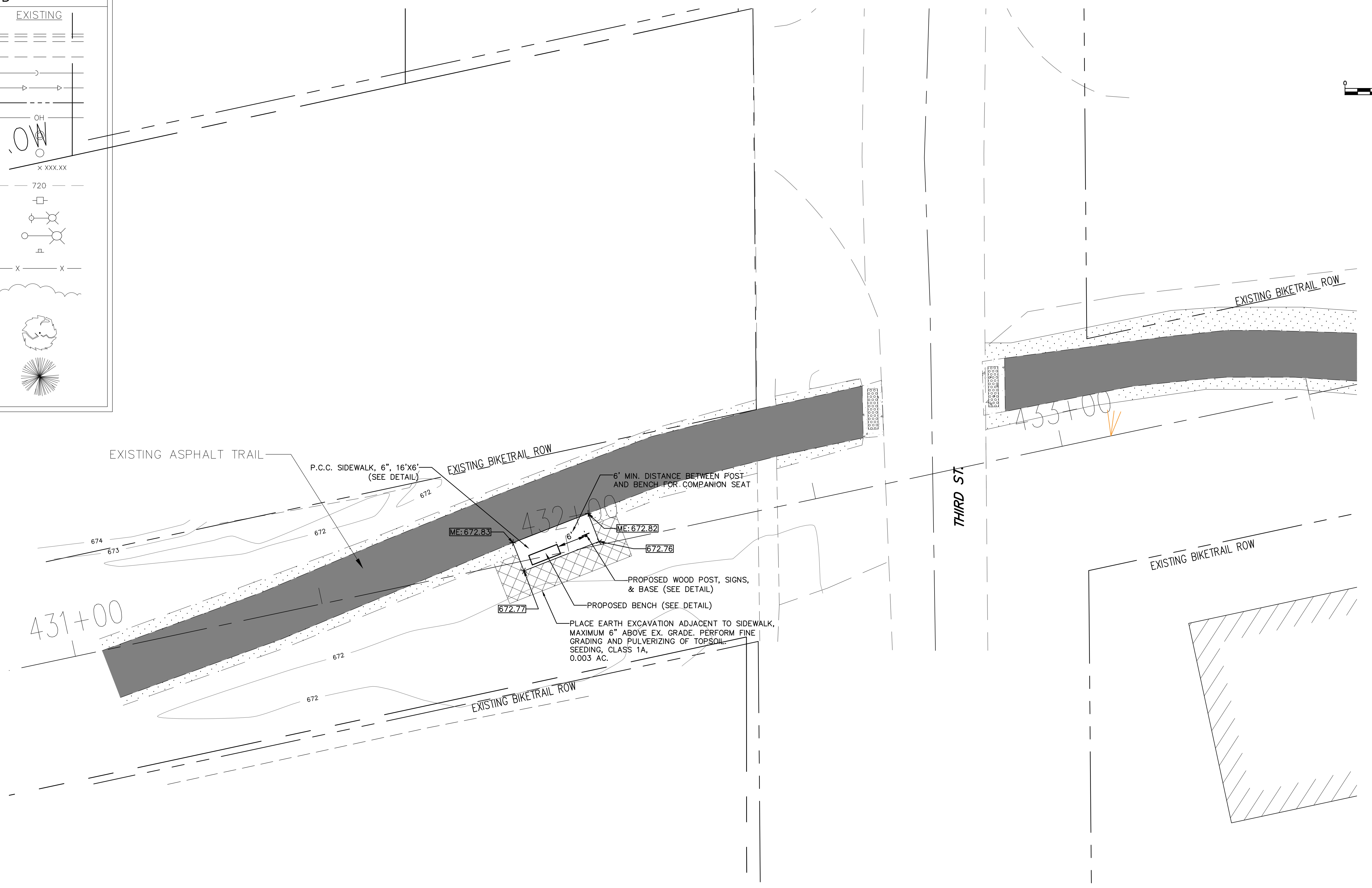
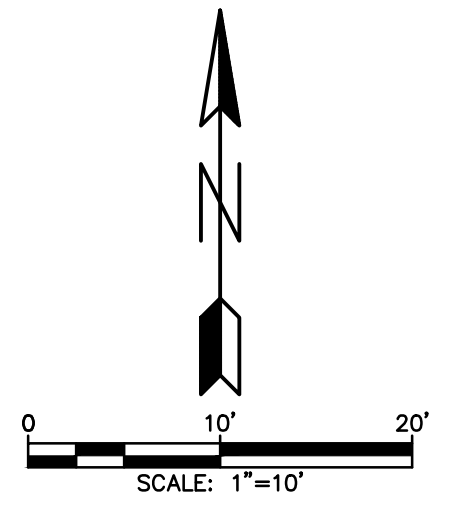
CAMPAIGN COUNTY FOREST PRESERVATION DISTRICT
KIKAPOO RAIL TRAIL AMENITIES

PROPOSED IMPROVEMENTS		
STA 428+00 TO STA 429+50		
SCALE: 1"=10'	SHEET NO. 6 OF 8 SHEETS	STA. 428+50 TO STA. 429+50

F.A.P. RTE.	SECTION	COUNTY	TOTAL SHEETS	SHEET NO.
-	08-F3000-04-BT	CHAMPAIGN	26	19
CONTRACT NO. 91605				
ILLINOIS FED. AID PROJECT				

LEGEND

	EXISTING
CURB & GUTTER	≡ ≡ ≡ ≡ ≡
EDGE OF PAVEMENT	- - - - -
SANITARY SEWER	—>—>—>
STORM SEWER	—>—>—>
PROPERTY LINE	- - - - -
OVERHEAD WIRE	— OH —
MANHOLE	○
CATCH BASIN	○
EXIST. GRADE	x xxx.xx
EXIST. CONTOUR	- - - 720 - - -
UTILITY POLE	□
UTILITY POLE W/STREET LIGHT	□
STREET LIGHT	○
SIGN	⊠
FENCE	- x - x -
TREE LINE	~ ~ ~ ~ ~
TREE(DECIDUOUS)	○
TREE(CONIFEROUS)	⊙



NOTE: ①x2 REFERS TO TYPE AND NUMBER OF SIGN PANELS AT EACH LOCATION. SEE DETAILS SHEET FOR DETAIL SIGN DESCRIPTIONS.

FILE NAME: V:\Champaign County FP\20034 Kikepoo Rail Trail Amenities\CADD\C20034 KikepooRailTrail-Proposed.dwg

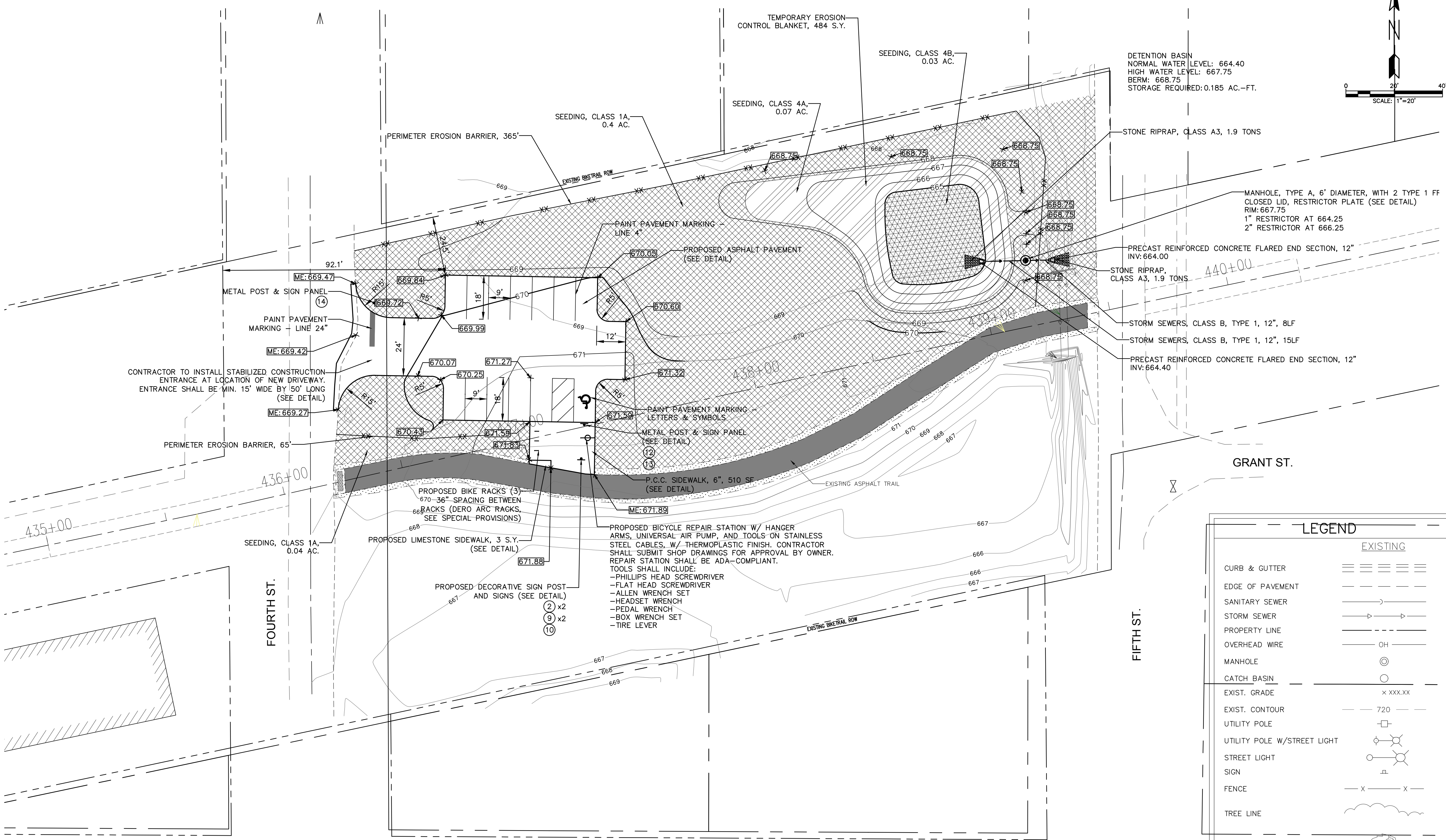
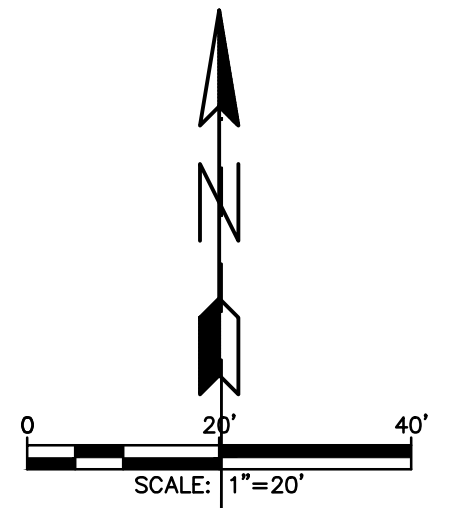


USER NAME = akustusch	DESIGNED - A.Z.	REVISED -
PLOT SCALE = \$SCALE\$	DRAWN - RT	REVISED -
PLOT DATE = 3/18/2021	CHECKED - A.K.	REVISED -
	DATE - MARCH 2021	REVISED -

CHAMPAIGN COUNTY FOREST PRESERVATION DISTRICT
CIKAPOO RAIL TRAIL AMENITIES

PROPOSED IMPROVEMENTS		
STA 431+00 TO STA 433+00		
SCALE: 1"=10'	SHEET NO. 2 OF 8 SHEETS	STA. 431+00 TO STA. 433+50

F.A.P. RTE.	SECTION	COUNTY	TOTAL SHEETS	SHEET NO.
-	08-F3000-04-BT	CHAMPAIGN	26	20
CONTRACT NO. 91605				
ILLINOIS FED. AID PROJECT				



LEGEND	
EXISTING	
CURB & GUTTER	
EDGE OF PAVEMENT	
SANITARY SEWER	
STORM SEWER	
PROPERTY LINE	
OVERHEAD WIRE	
MANHOLE	
CATCH BASIN	
EXIST. GRADE	
EXIST. CONTOUR	
UTILITY POLE	
UTILITY POLE W/STREET LIGHT	
STREET LIGHT	
SIGN	
FENCE	
TREE LINE	
TREE(DECIDUOUS)	
TREE(CONIFEROUS)	

NOTE: ①x2 REFERS TO TYPE AND NUMBER OF SIGN PANELS AT EACH LOCATION. SEE DETAILS SHEET FOR DETAIL SIGN DESCRIPTIONS.

FILE NAME: V:\Champaign County FP\20034 Kickapoo Rail Trail Amenities\CADD\20034 KickapooRailTrail-Proposed.dwg



USER NAME = akustusch	DESIGNED - A.Z.	REVISED -
PLOT SCALE = \$SCALE\$	DRAWN - RT	REVISED -
PLOT DATE = 3/18/2021	CHECKED - A.K.	REVISED -
	DATE - MARCH 2021	REVISED -

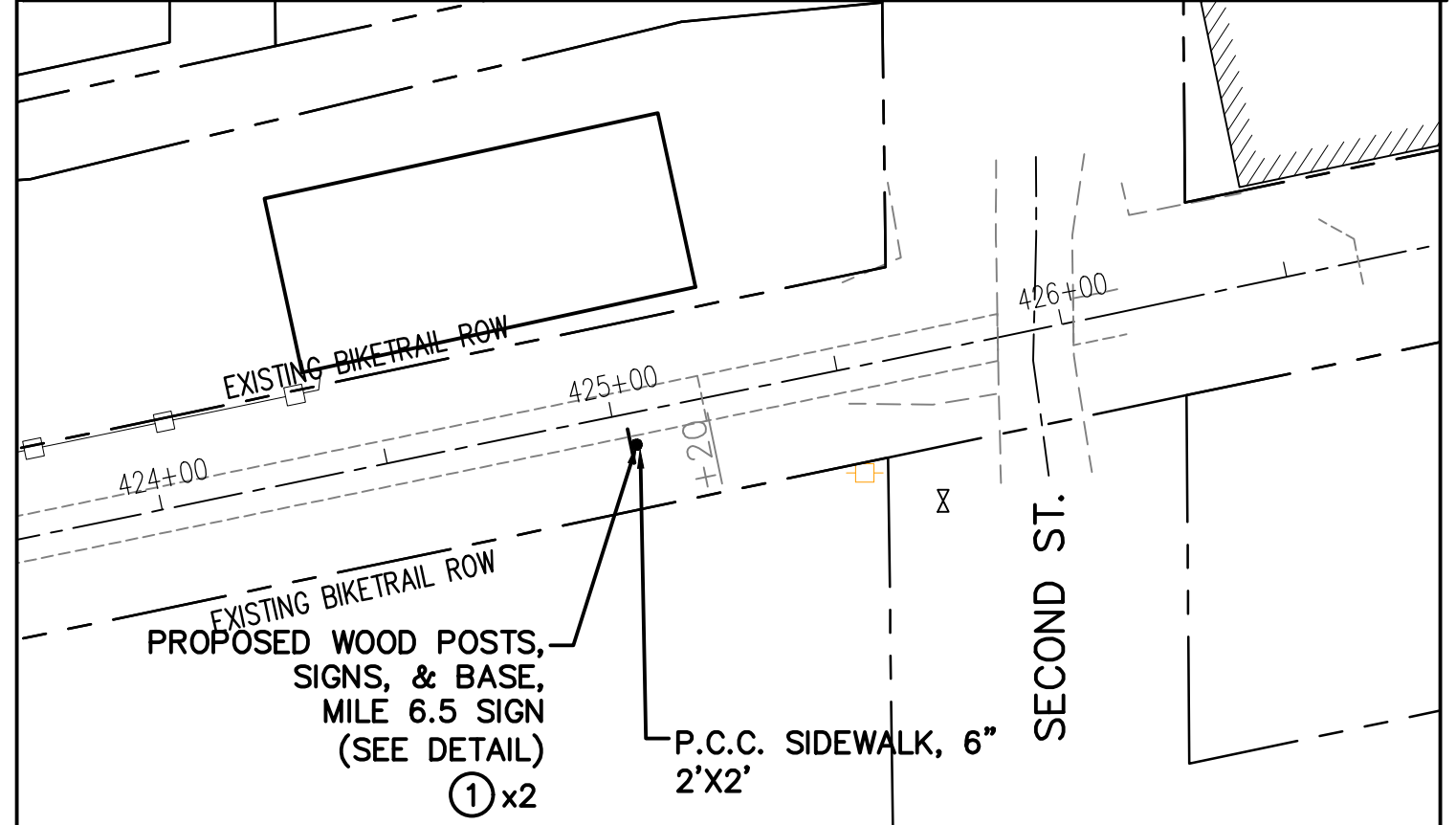
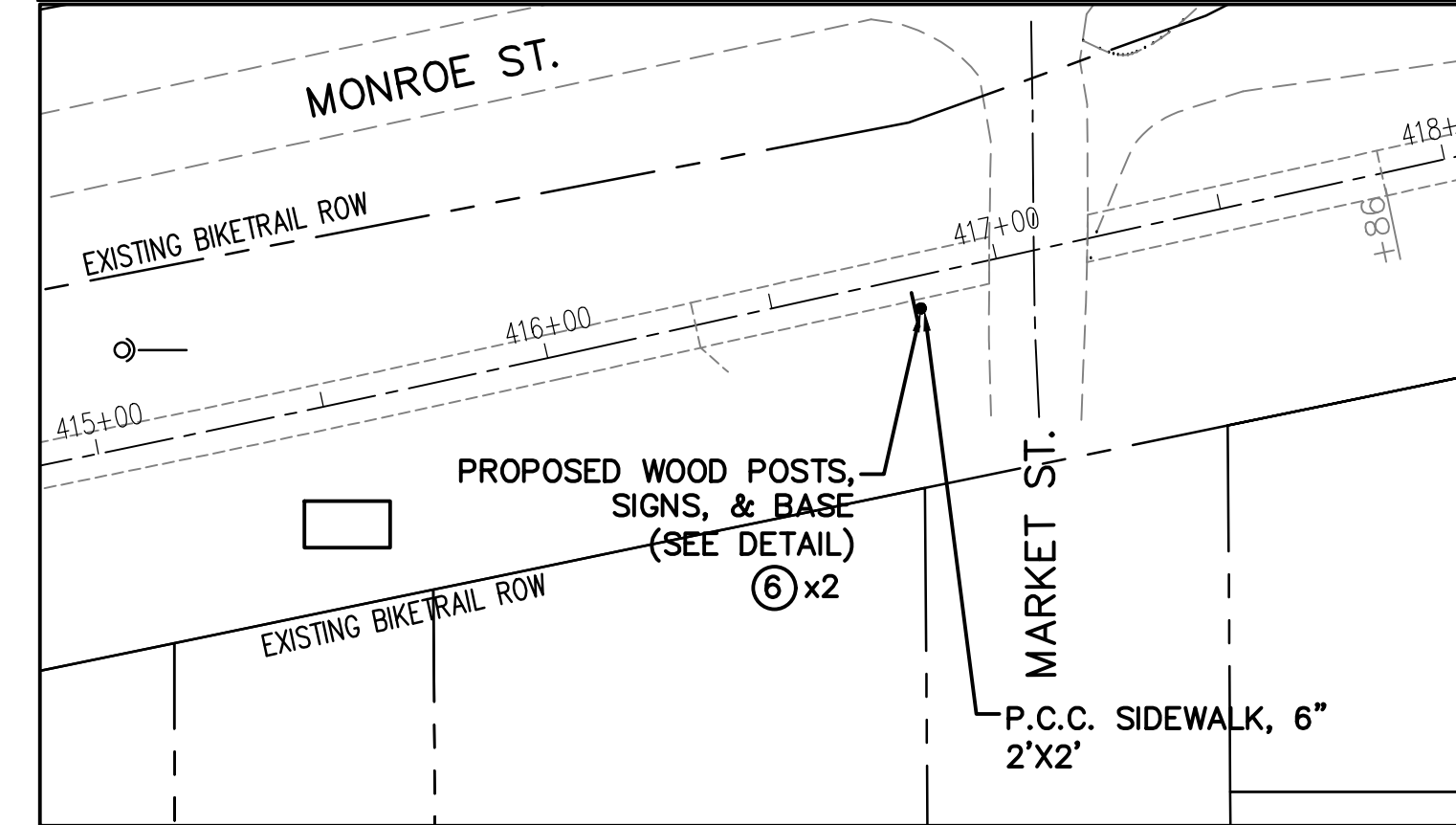
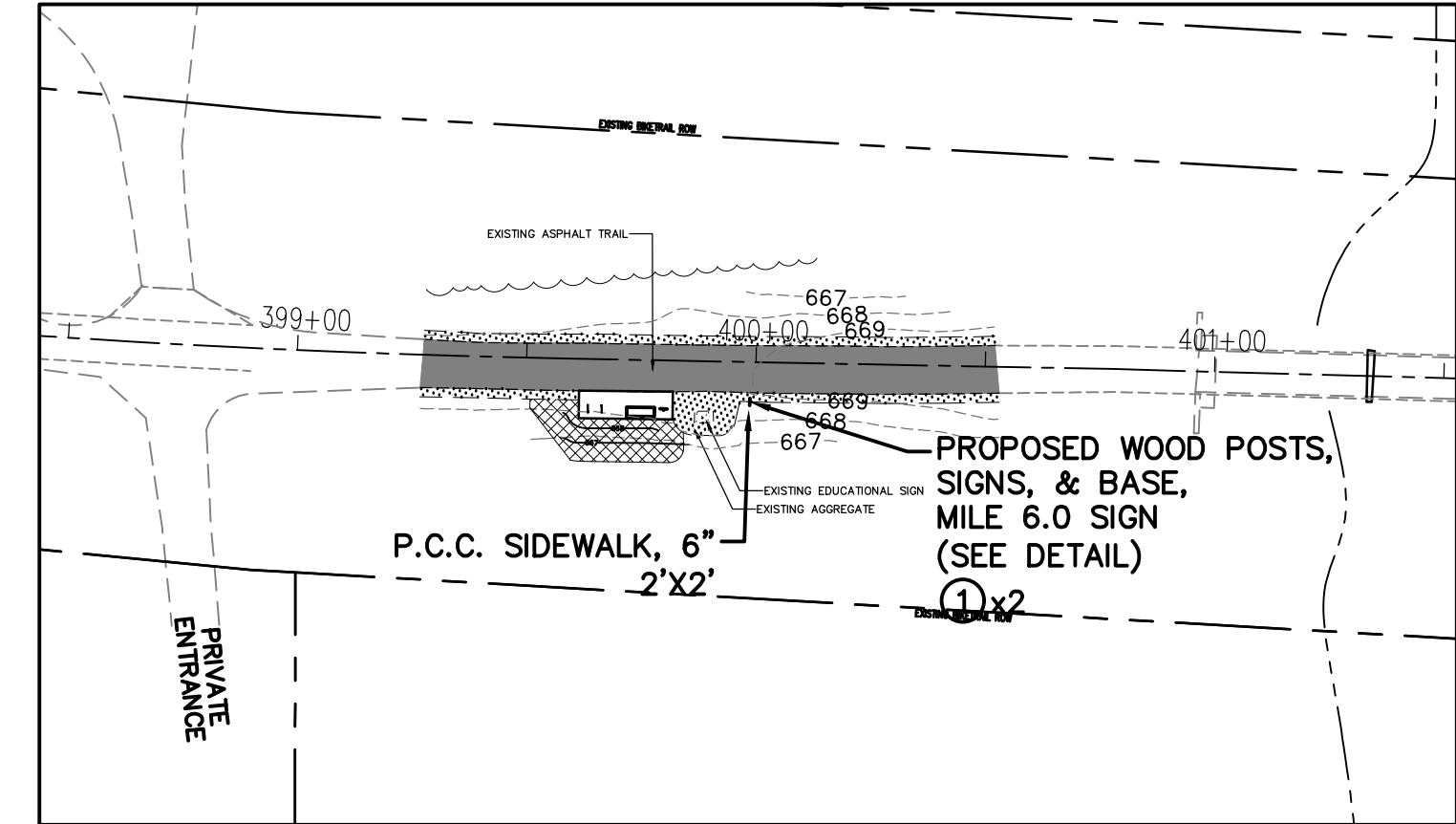
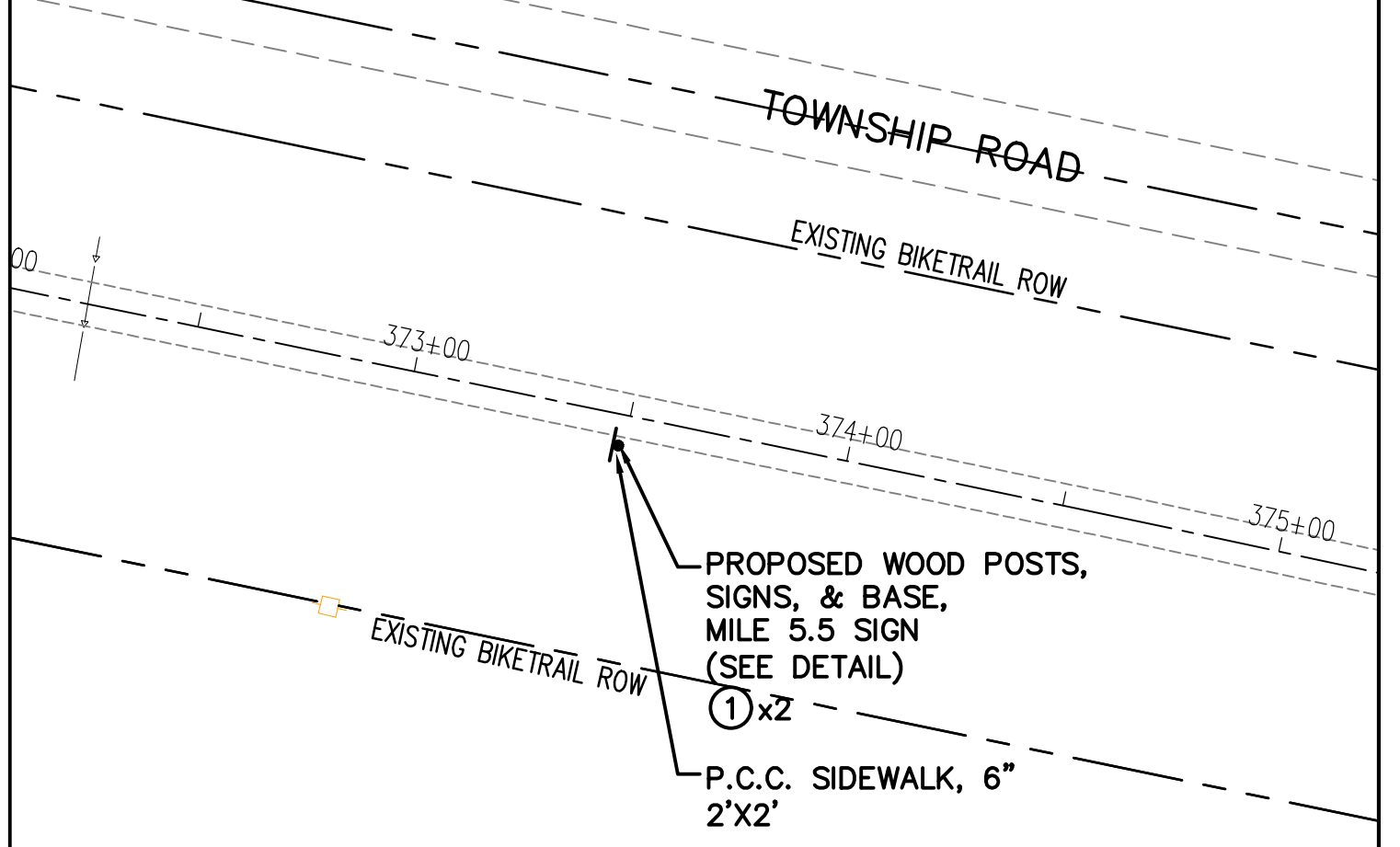
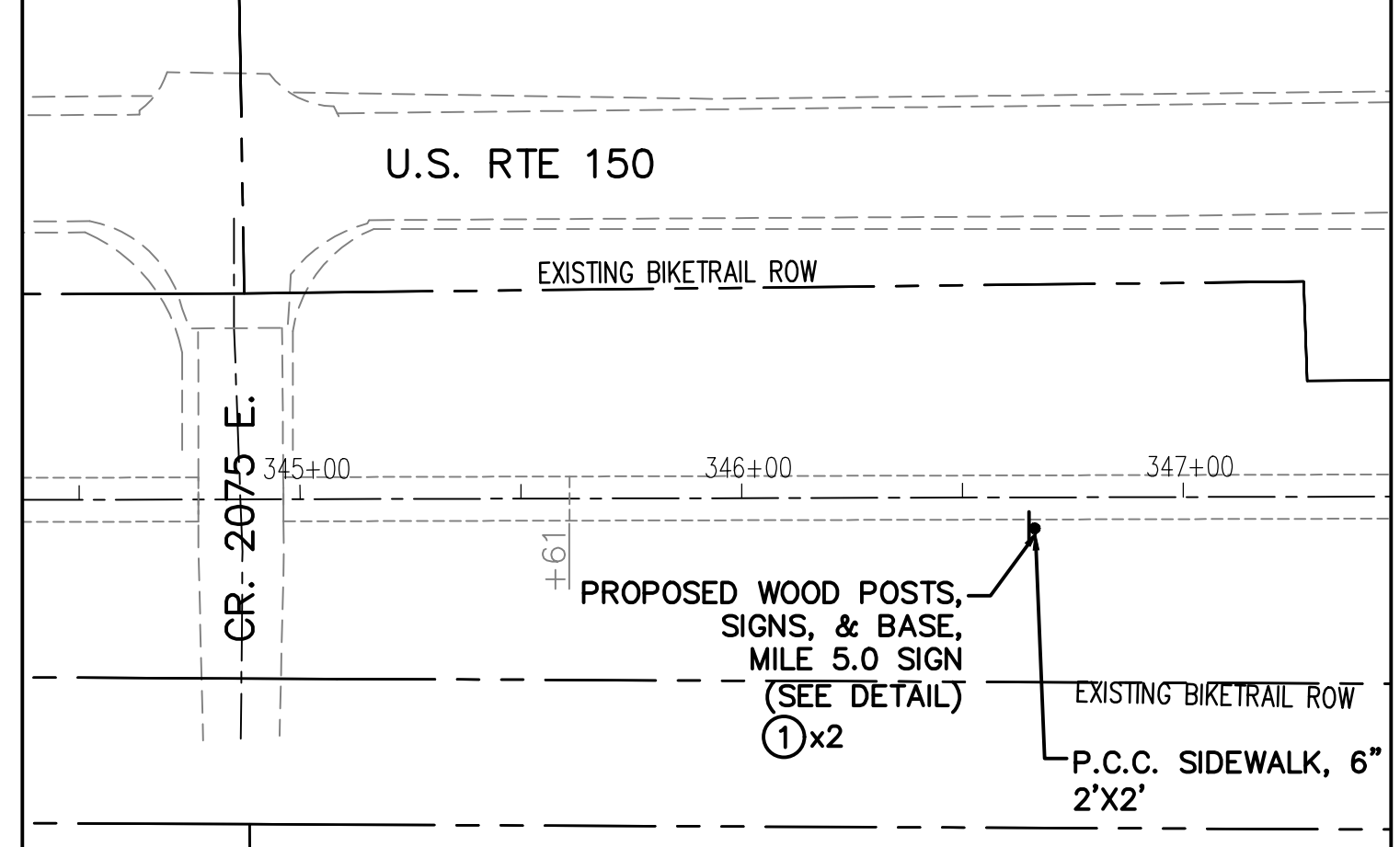
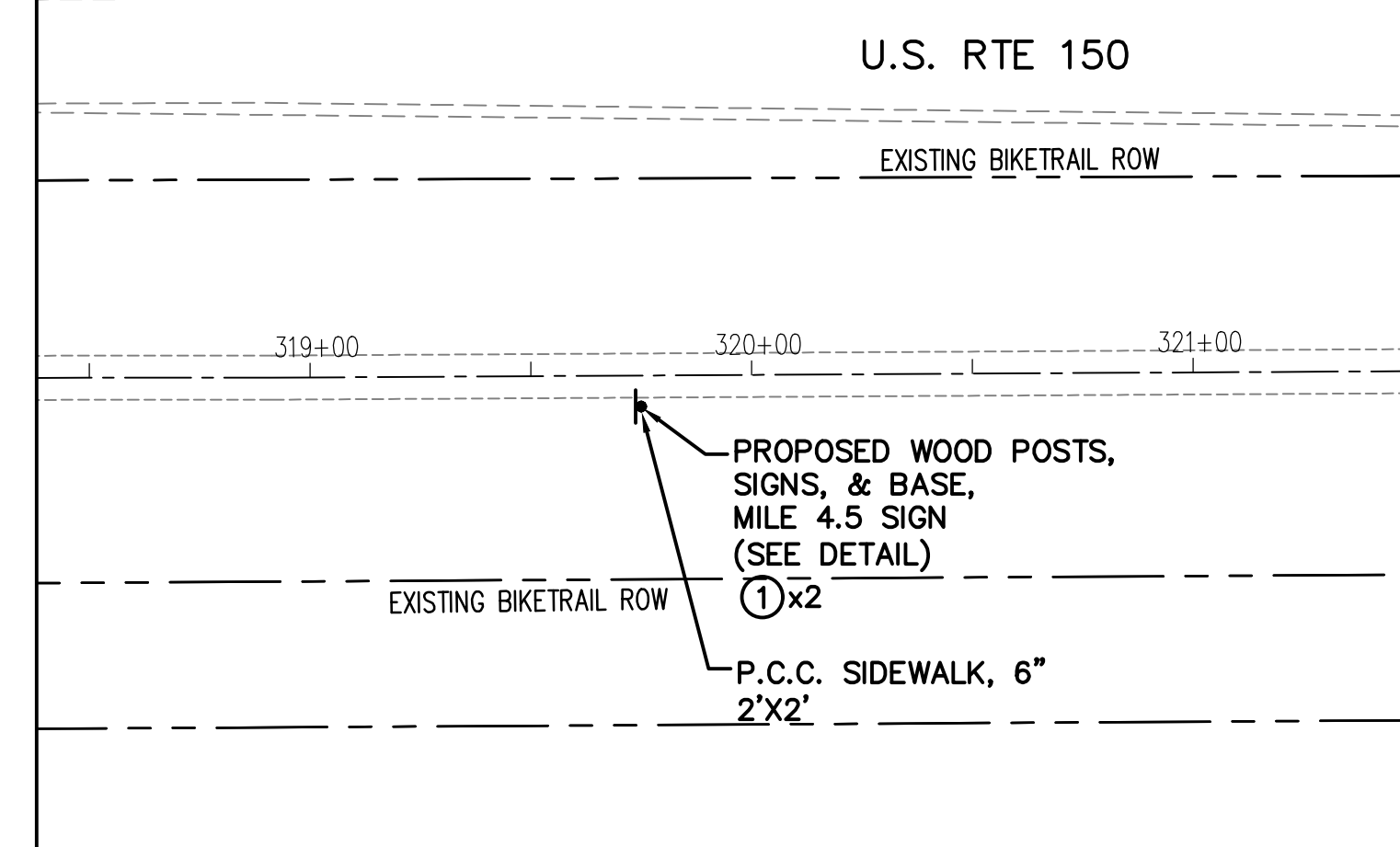
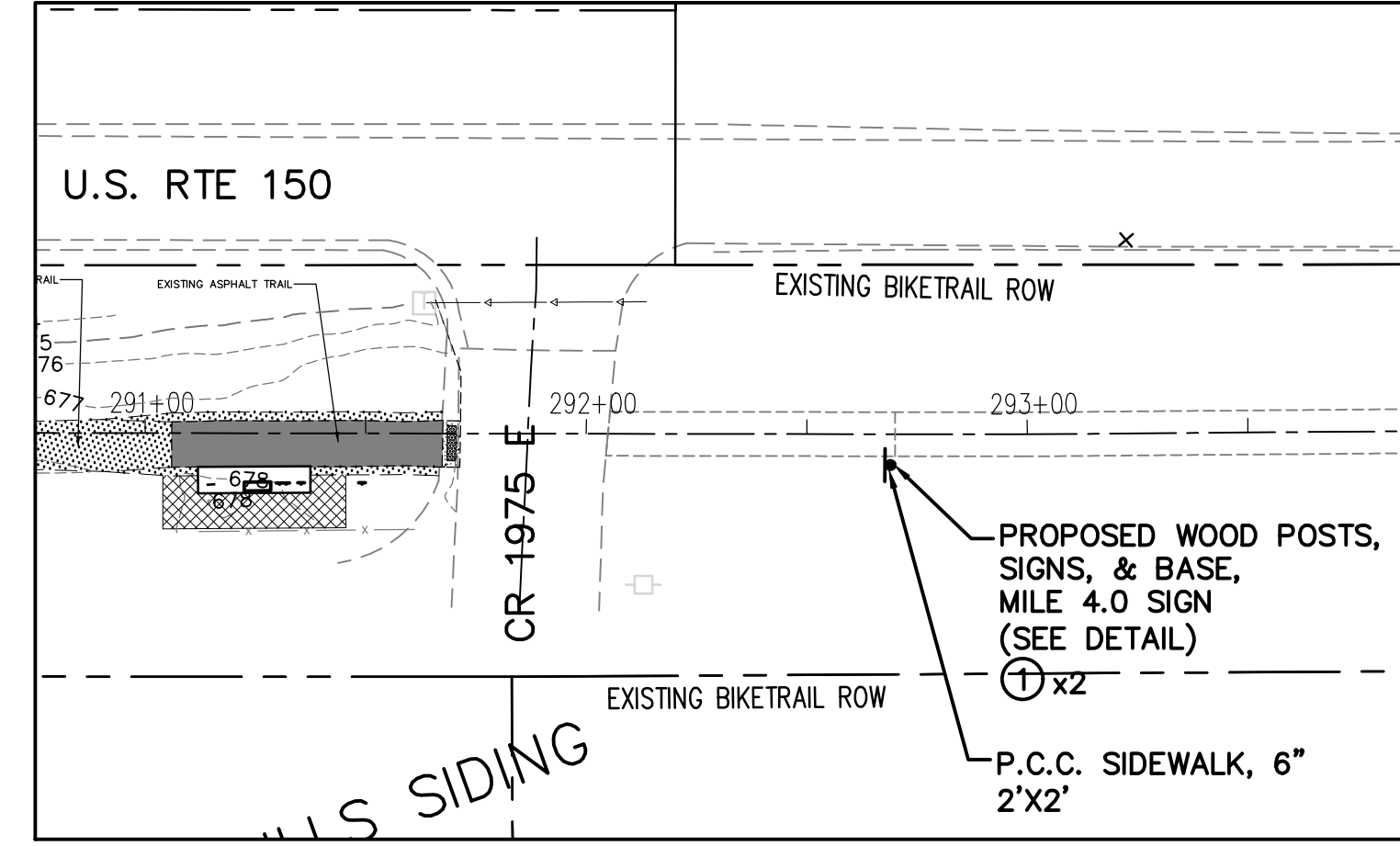
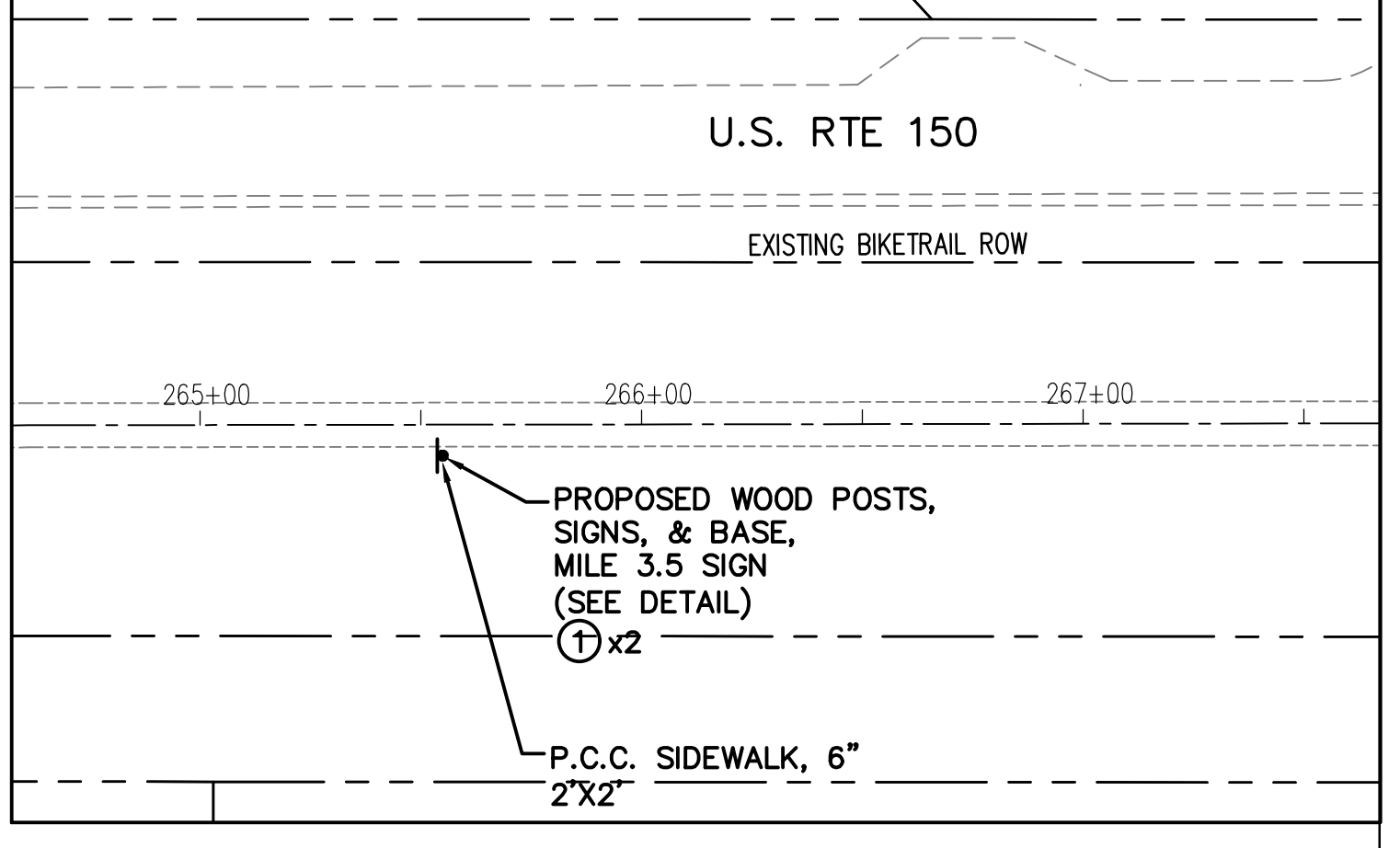
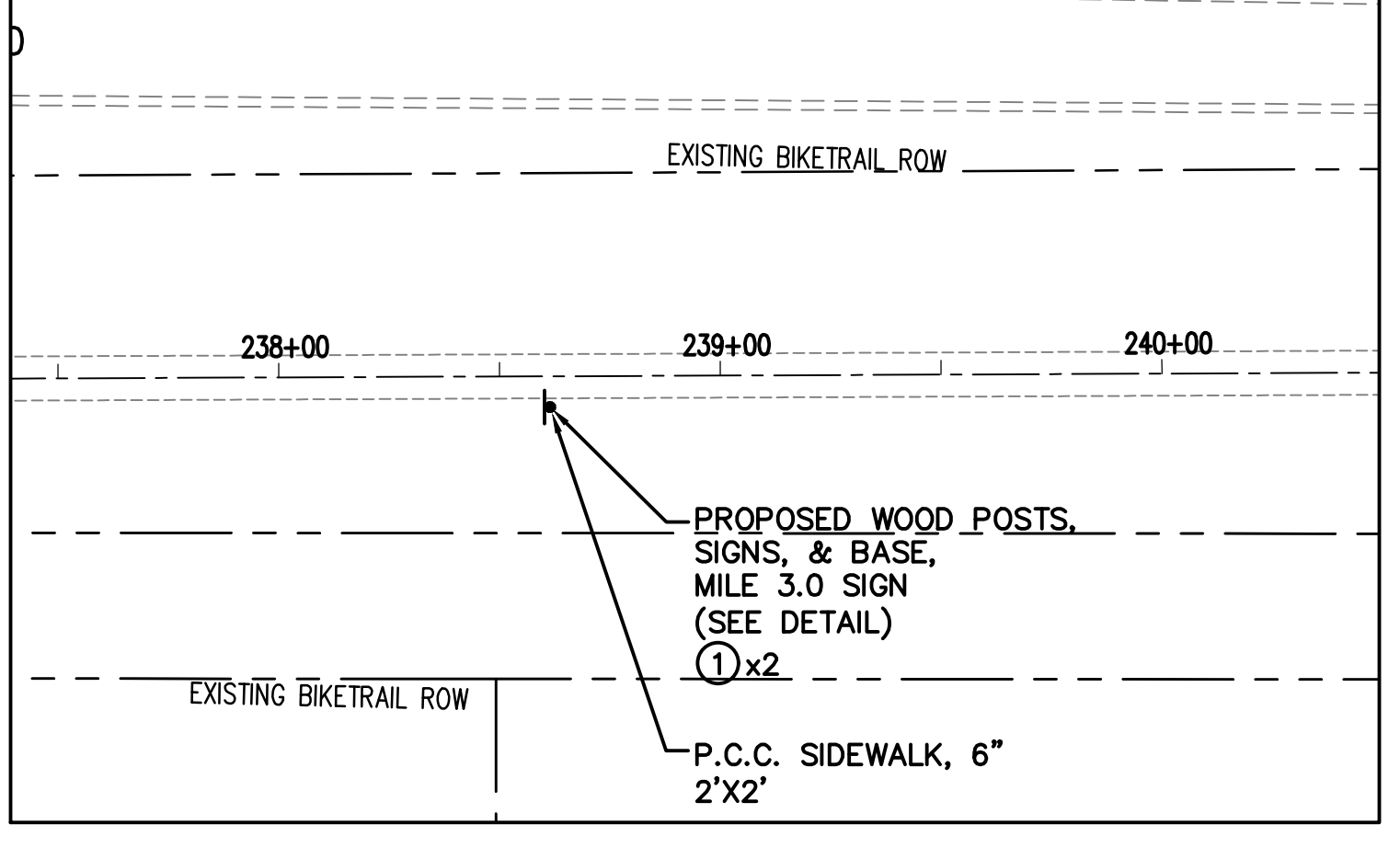
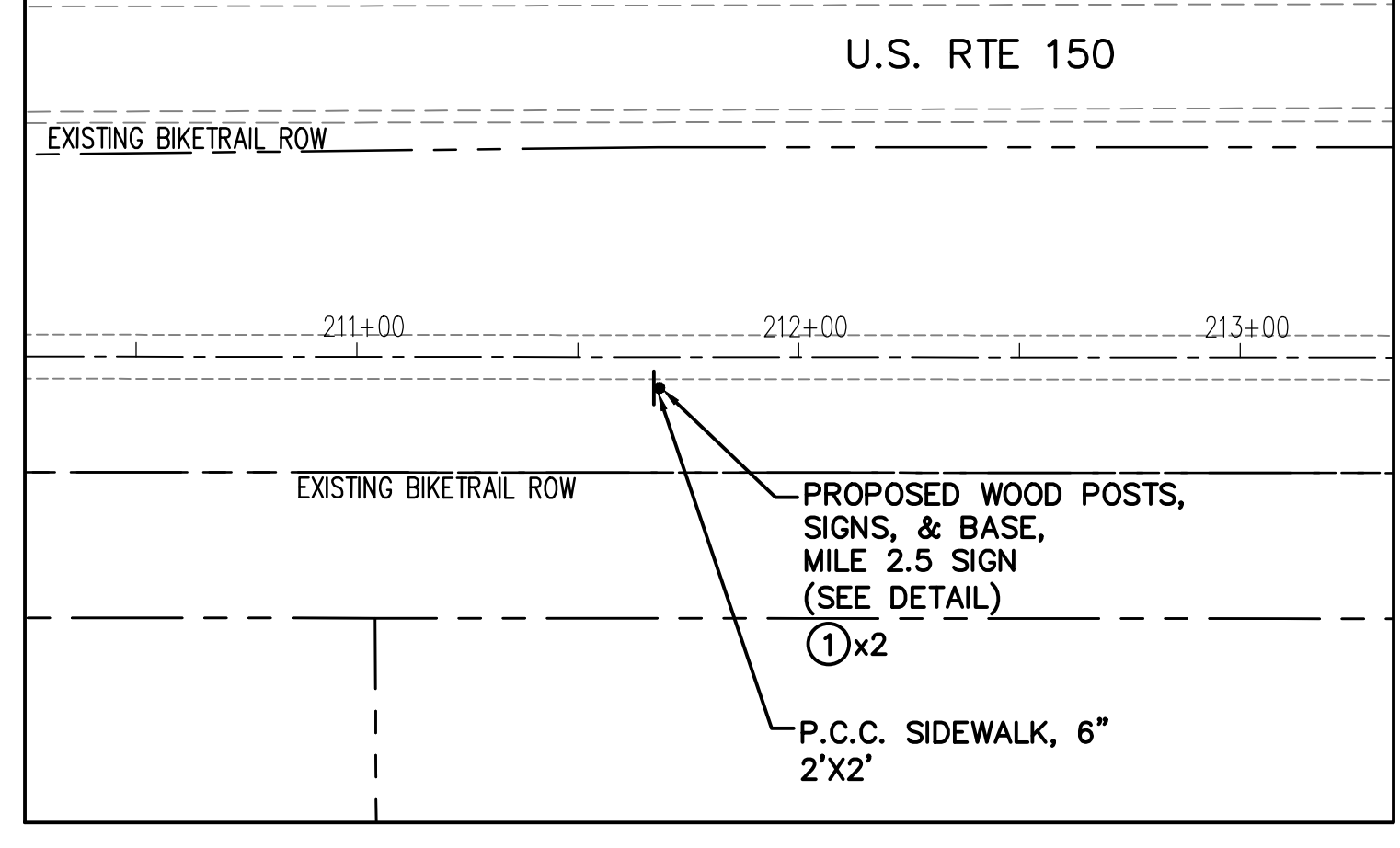
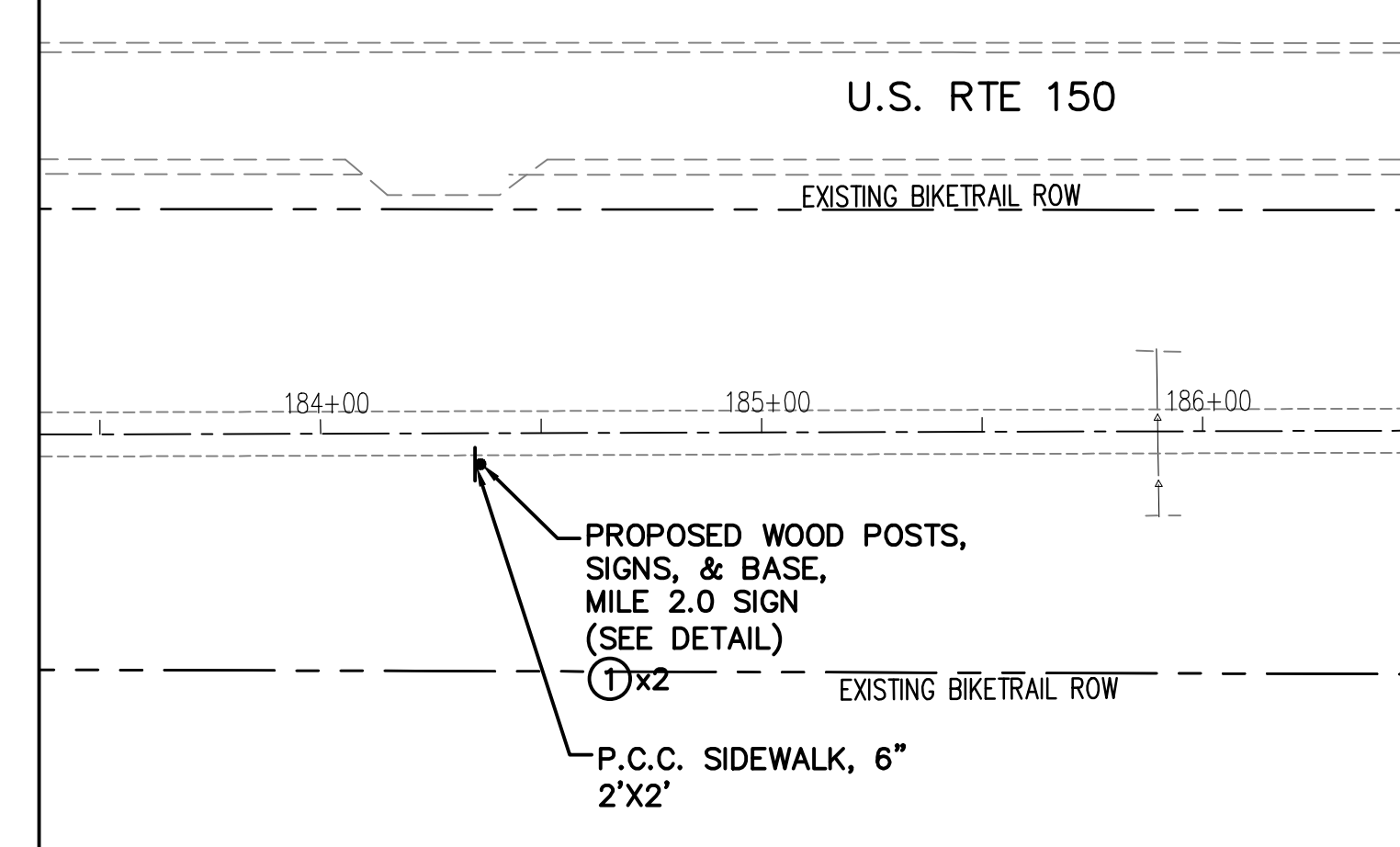
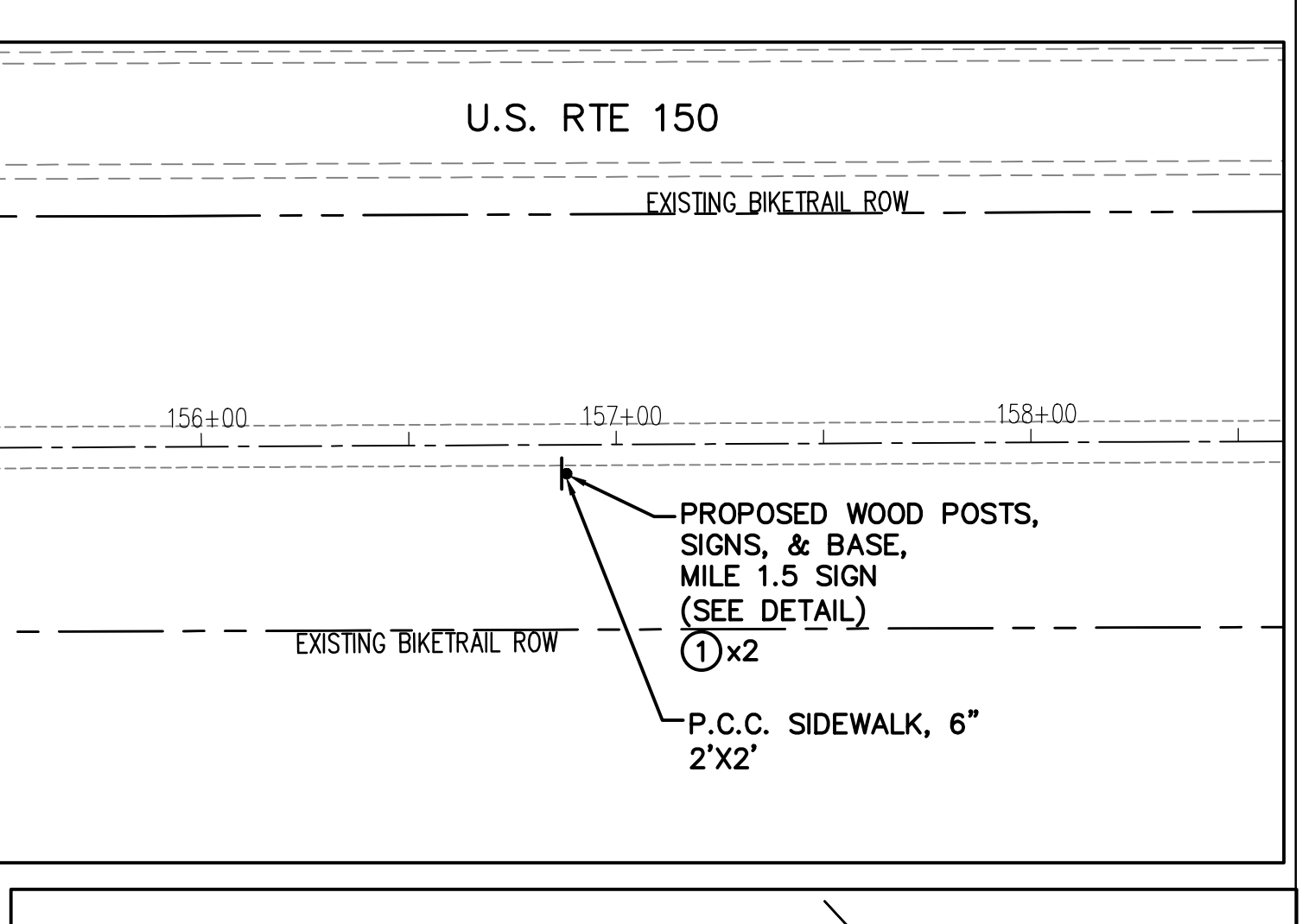
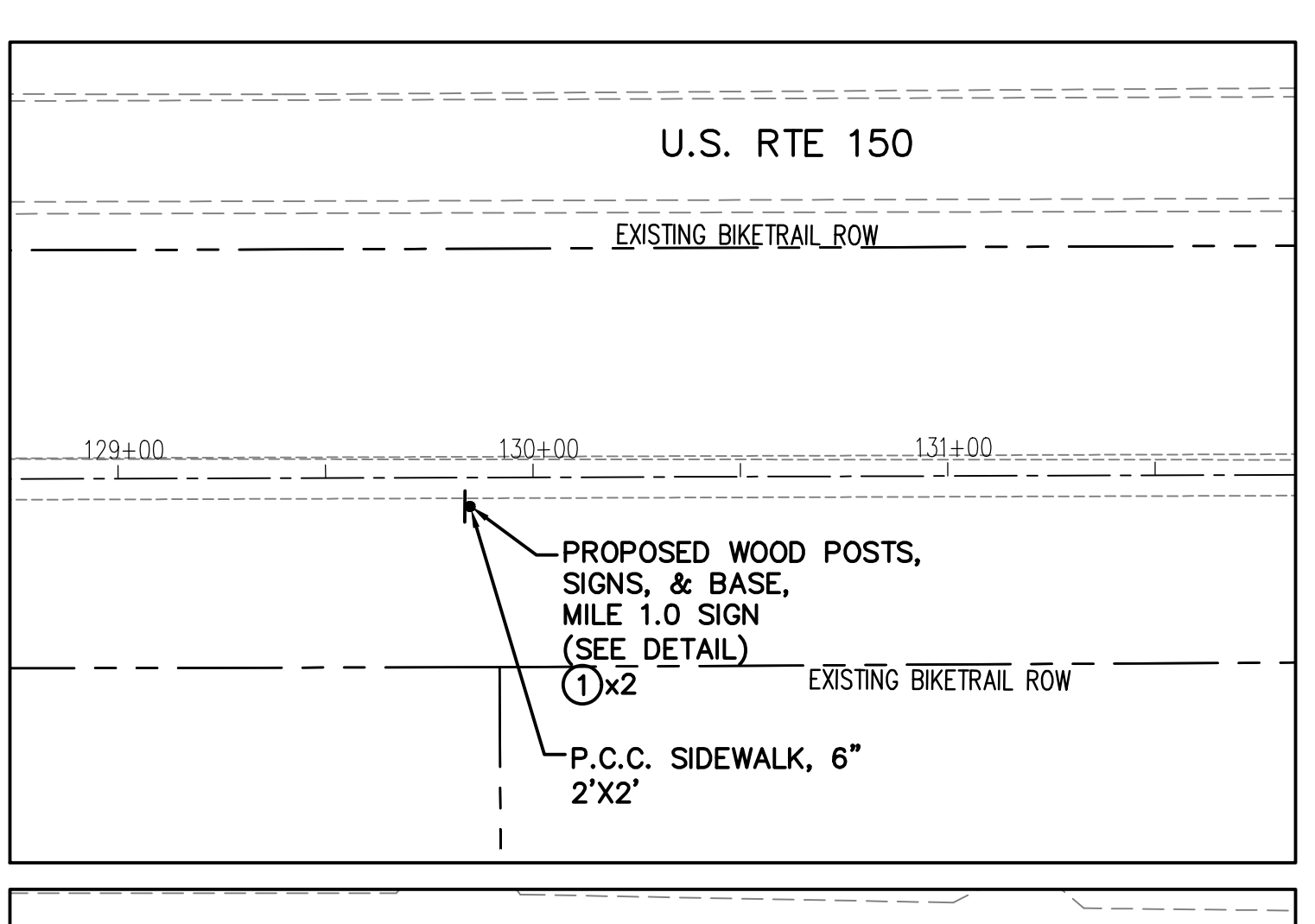
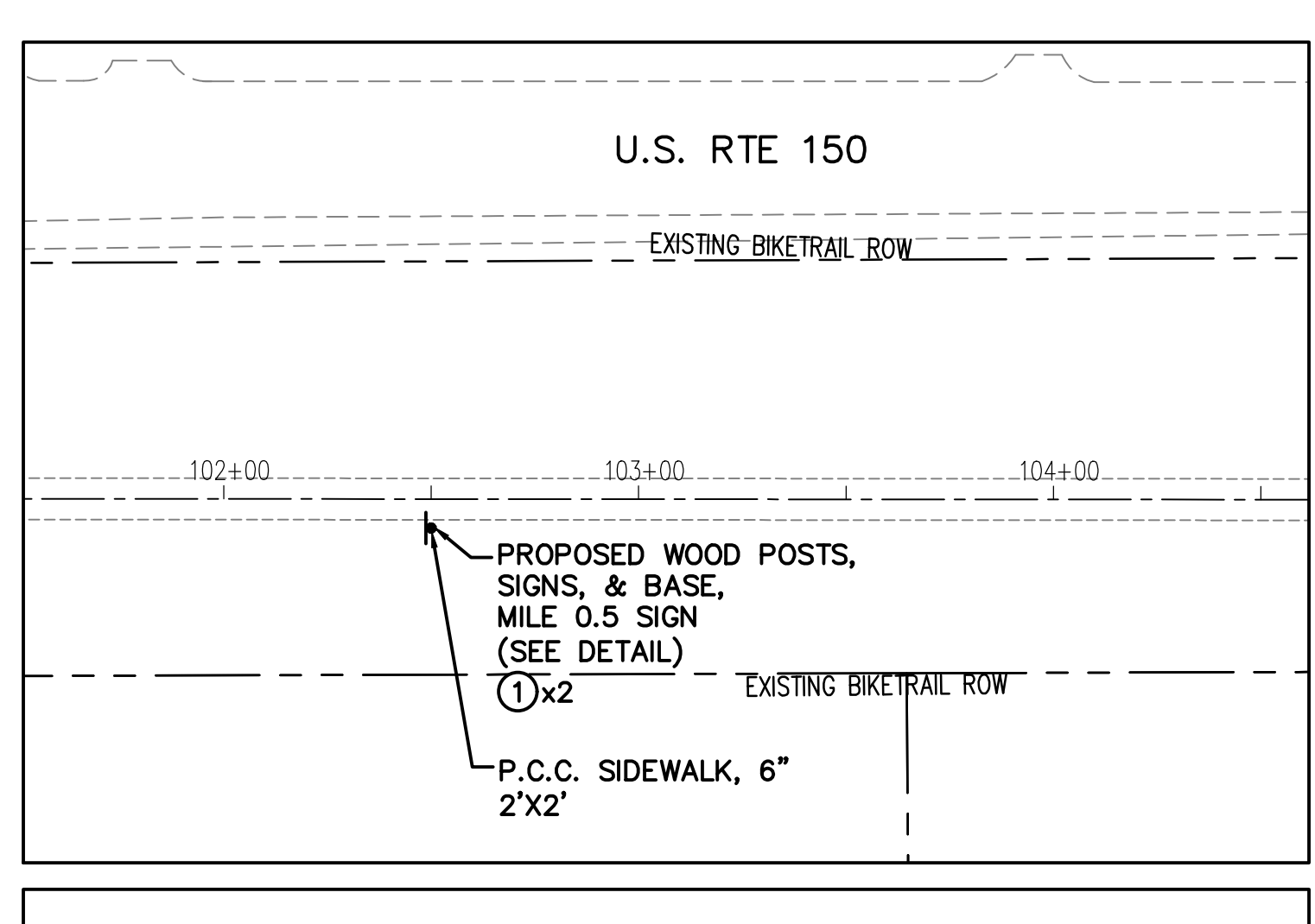
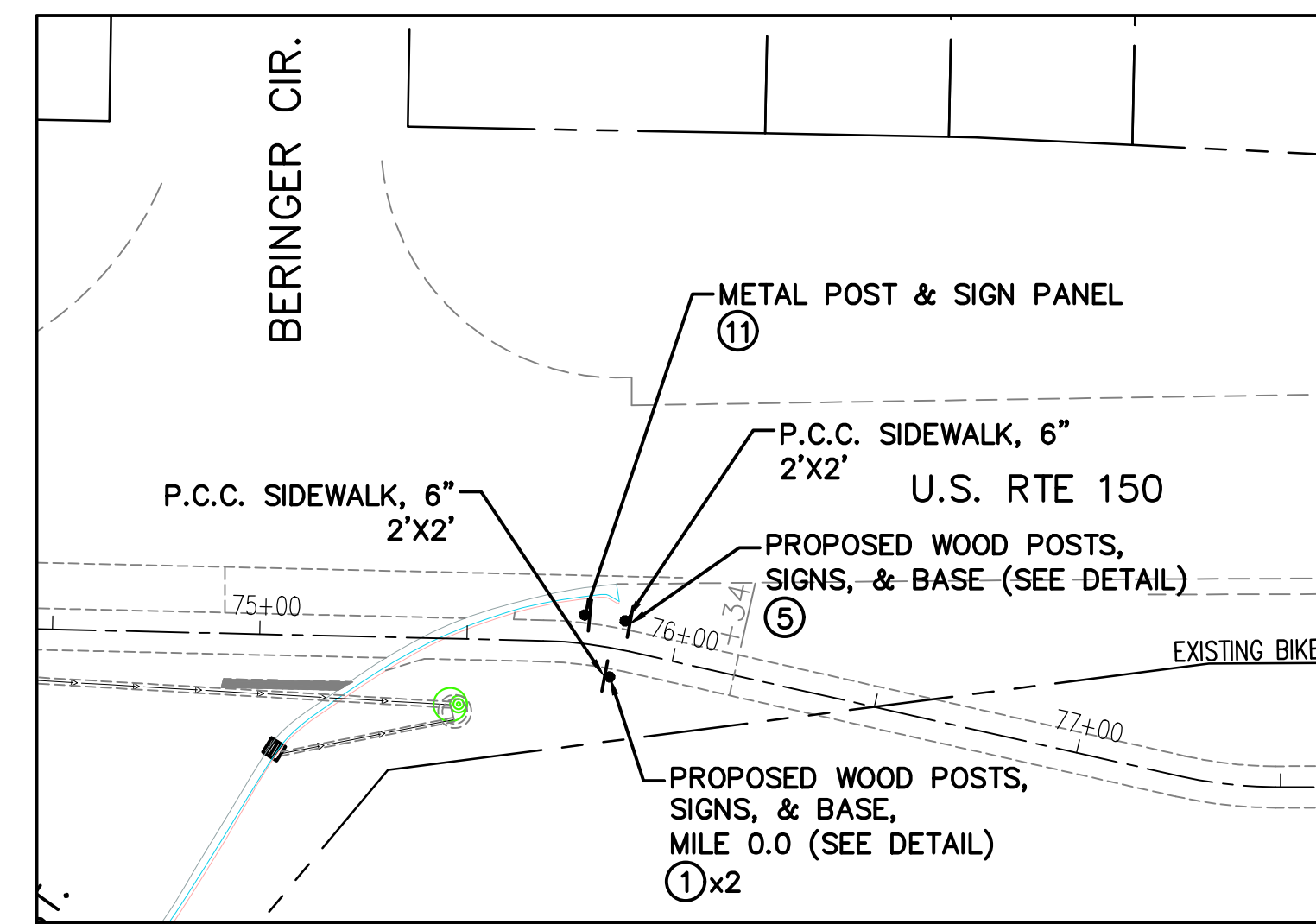
CHAMPAIGN COUNTY FOREST PRESERVE DISTRICT
KICKAPOO RAIL TRAIL AMENITIES

PROPOSED PARKING LOT IMPROVEMENTS
STATION 435+00 TO STATION 440+00

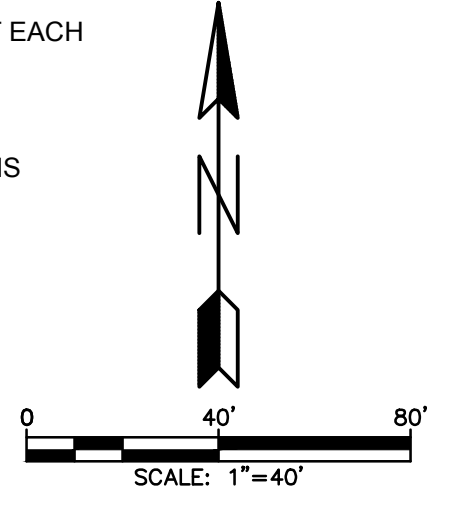
SCALE: 1"=20' SHEET NO. 8 OF 8 SHEETS STA. 435+00 TO STA. 440+50

F.A.P. RTE.	SECTION	COUNTY	TOTAL SHEETS	SHEET NO.
-	08-F3000-04-BT	CHAMPAIGN	26	21
CONTRACT NO. 91605				
ILLINOIS FED. AID PROJECT				

FILE NAME: V:\Champaign County FP C20034 Kickapoo Rail Trail
 America\CAD\C20034 KickapooRailTrail.dwg



NOTE: (1)x2 REFERS TO TYPE AND NUMBER OF SIGN PANELS AT EACH LOCATION. SEE DETAILS SHEET FOR DETAIL SIGN DESCRIPTIONS.
 NOTE: ALL DISTURBED AREAS ADJACENT TO NEW SIGN LOCATIONS SHALL BE RESTORED WITH SEEDING CLASS 2A.



USER NAME = akustusch	DESIGNED — A.Z.	REVISED —
PLOT SCALE = \$SCALE\$	DRAWN — RT	REVISED —
PLOT DATE = 3/18/2021	CHECKED — A.K.	REVISED —
	DATE — MARCH 2021	REVISED —

STATE OF ILLINOIS
 DEPARTMENT OF TRANSPORTATION

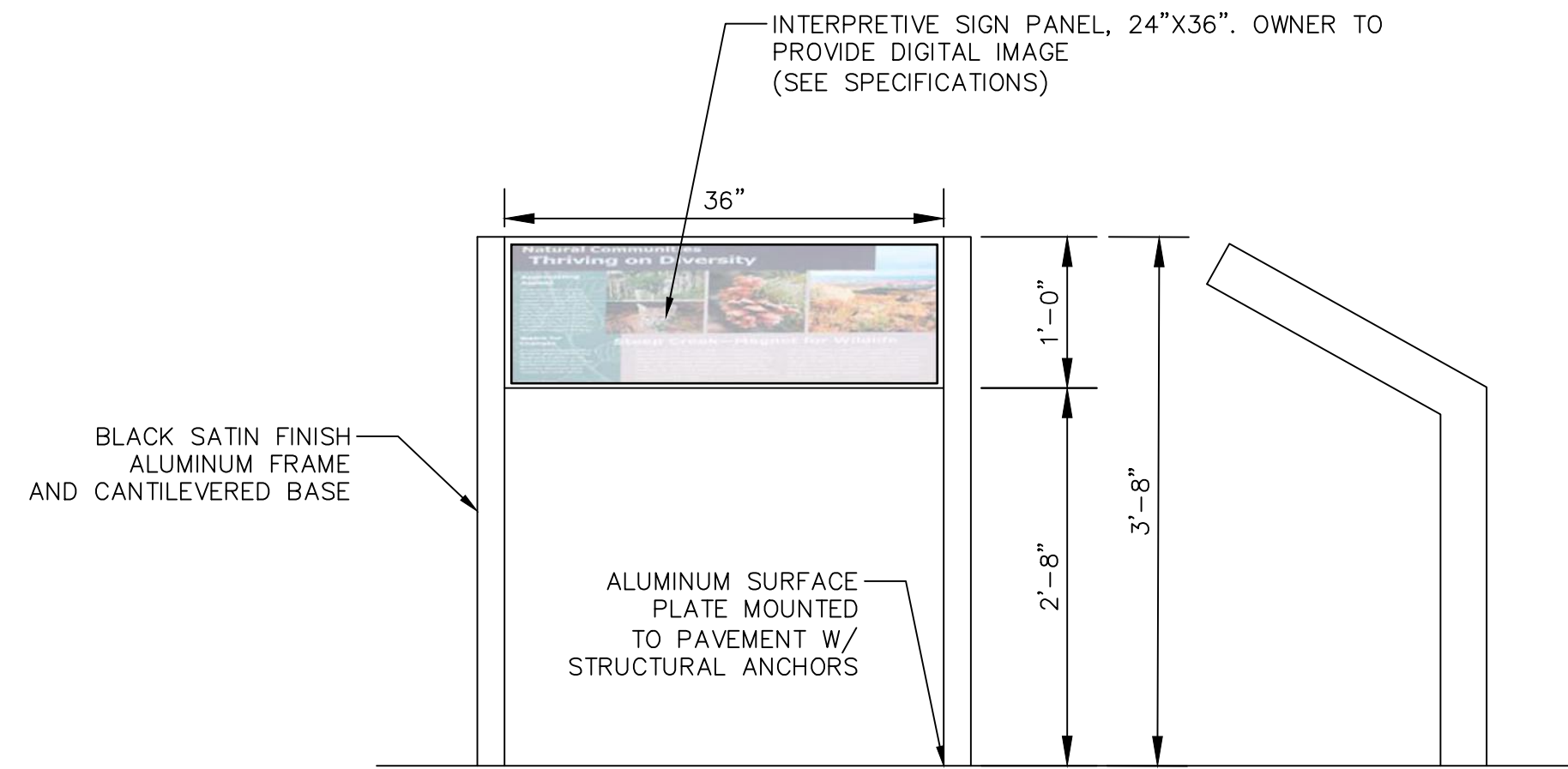
MILE MARKER PAR SIGN PLAN

SCALE: 1"=500'

SHEET NO. 1 OF 1 SHEETS

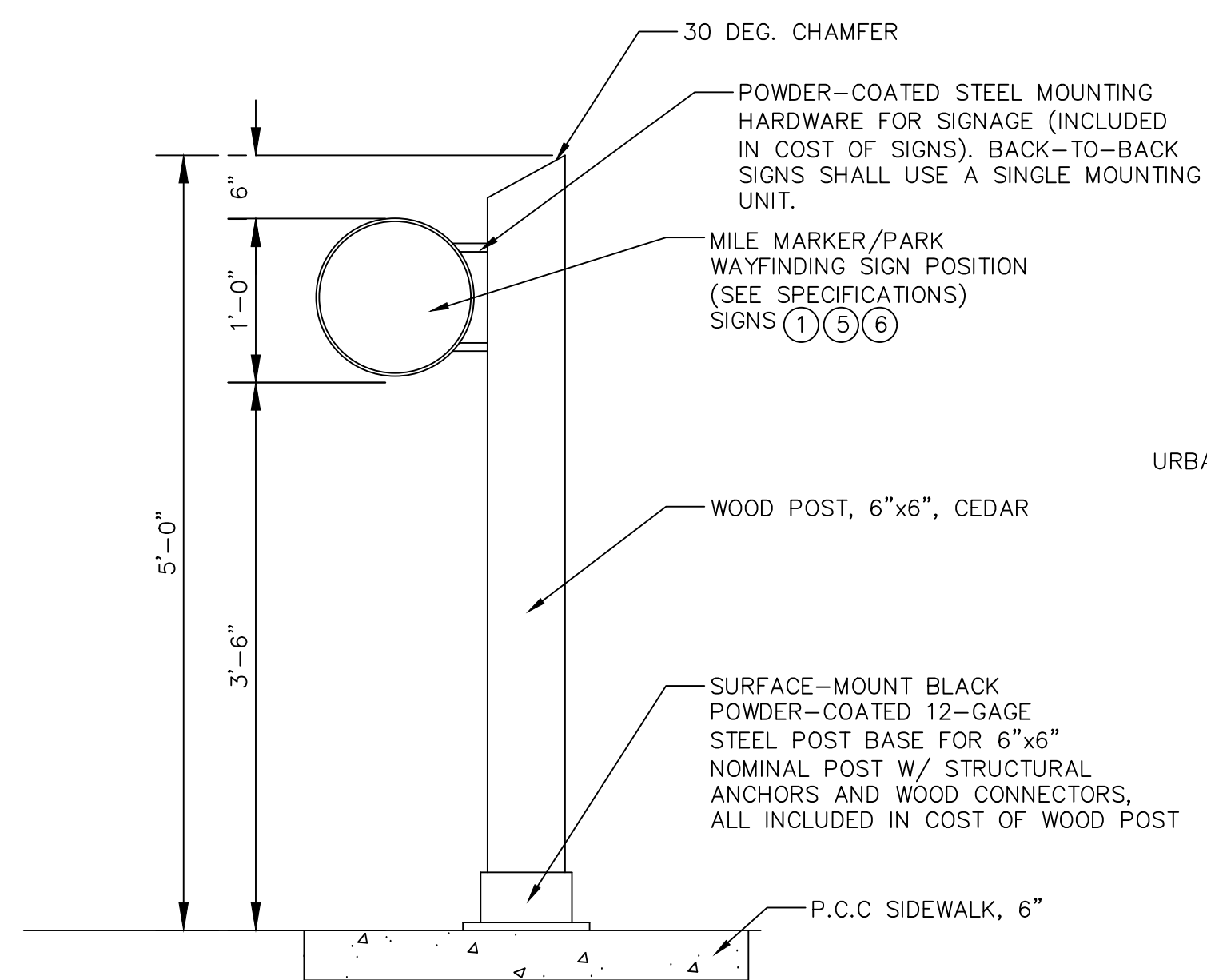
STA. 400 TO STA. 442+00

F.A.P. RTE.	SECTION	COUNTY	TOTAL SHEETS	SHEET NO.
	08-F3000-04-BT	CHAMPAIGN	26	22
CONTRACT NO. 91605				
ILLINOIS FED. AID PROJECT				

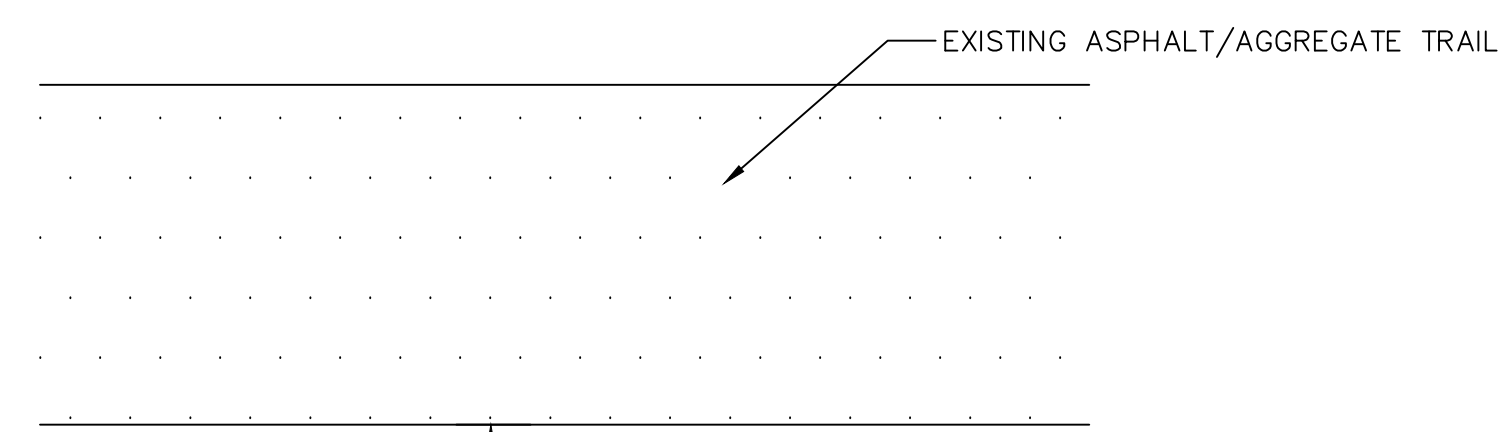


INTERPRETIVE SIGNAGE COMPLETE DETAIL

NOTE: CONTRACTOR TO SUBMIT SHOP DRAWINGS, COLOR SAMPLES, AND PANEL SAMPLES FOR OWNER REVIEW AND APPROVAL

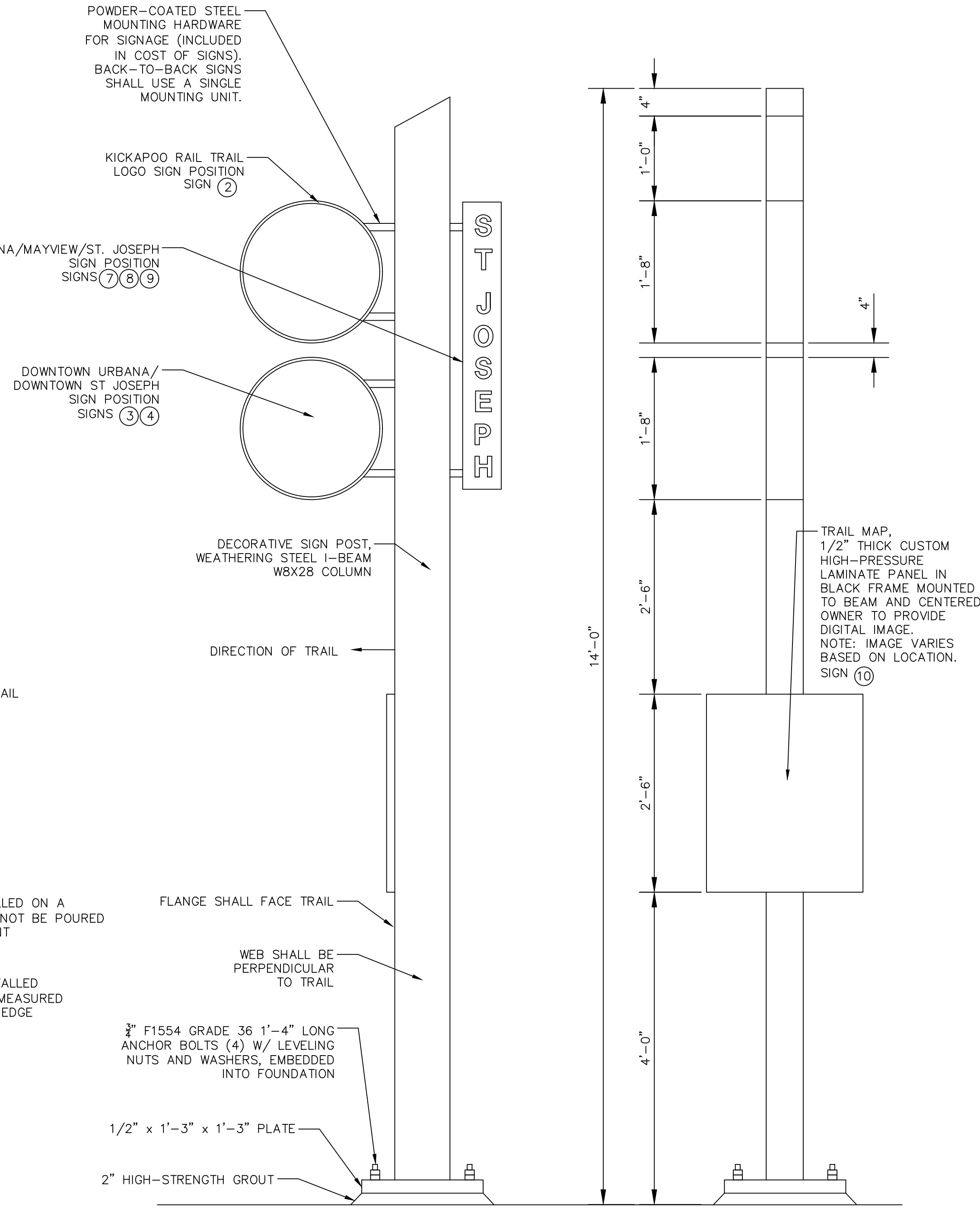


SECTION VIEW



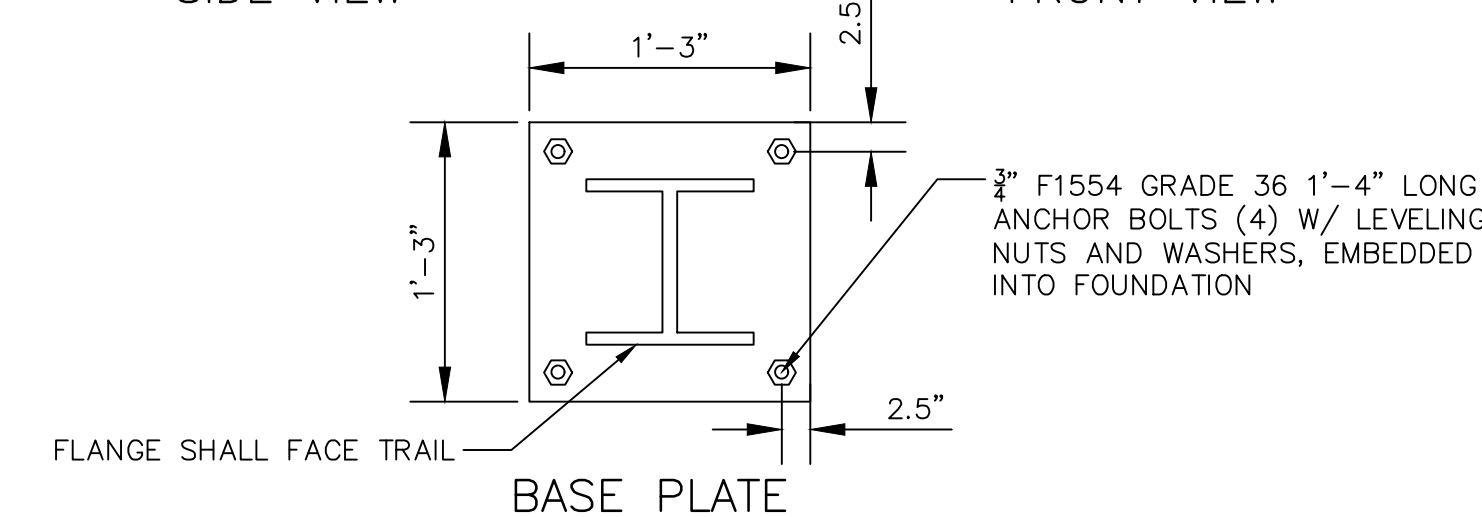
PLAN VIEW

WOOD POST, SIGNS, & BASE DETAIL



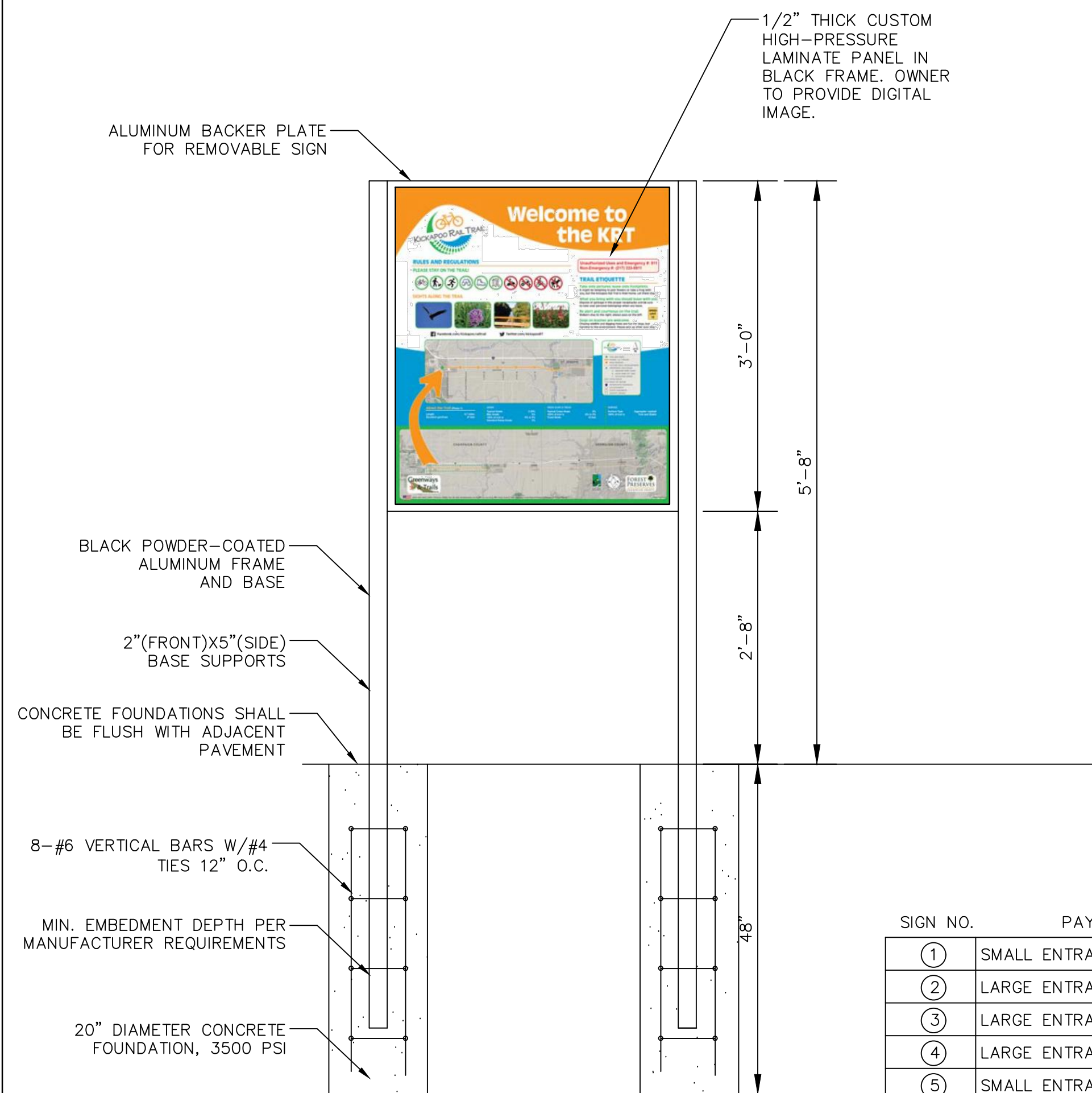
SIDE VIEW

FRONT VIEW



DECORATIVE SIGN POST AND SIGN DETAIL

NOTE: CONTRACTOR TO SUBMIT SHOP DRAWINGS, COLOR SAMPLES, AND PANEL SAMPLES FOR OWNER REVIEW AND APPROVAL



ENTRANCE SIGN DETAIL

NOTE: CONTRACTOR TO SUBMIT SHOP DRAWINGS, COLOR SAMPLES, AND PANEL SAMPLES FOR OWNER REVIEW AND APPROVAL

SIGN NO.	PAY ITEM	SIGN INFORMATION	SIGN MATERIAL	SIGN DIMENSIONS	SIGN COLORS/IMAGE
①	SMALL ENTRANCE SIGN	MILE X.X	COLORCORE	12" DIAMETER	GREEN SIGN, WHITE LETTERS
②	LARGE ENTRANCE SIGN	KRT LOGO	POLYSTYRENE	20" DIAMETER	UV PRINTED IMAGE PROVIDED BY OWNER
③	LARGE ENTRANCE SIGN	DOWNTOWN URBANA, 2.0	COLORCORE	20" DIAMETER	BLUE SIGN, WHITE LETTERS
④	LARGE ENTRANCE SIGN	DOWNTOWN ST. JOSEPH, 0.4	COLORCORE	20" DIAMETER	BLUE SIGN, WHITE LETTERS
⑤	SMALL ENTRANCE SIGN	WEAVER PARK TRAILHEAD	COLORCORE	12" DIAMETER	BROWN SIGN, WHITE LETTERS
⑥	SMALL ENTRANCE SIGN	KOLB PARK TRAILHEAD	COLORCORE	12" DIAMETER	BROWN SIGN, WHITE LETTERS
⑦	GATEWAY ENTRANCE SIGNS	URBANA	POLYSTYRENE	24" x 4"	UV PRINTED IMAGE PROVIDED BY OWNER
⑧	GATEWAY ENTRANCE SIGNS	MAYVIEW	POLYSTYRENE	24" x 4"	UV PRINTED IMAGE PROVIDED BY OWNER
⑨	GATEWAY ENTRANCE SIGNS	ST. JOSEPH	POLYSTYRENE	24" x 4"	UV PRINTED IMAGE PROVIDED BY OWNER
⑩	WAYFINDING SIGN	KRT MAP	LAMINATE PANEL	24" x 30"	IMAGE PROVIDED BY OWNER
⑪	SIGN PANEL - TYPE 1	PEDESTRIANS & CYCLISTS USE CAUTION WHEN JOINING TRAFFIC	SIGN PANEL, TY. 1	12" x 18"	WHITE SIGN, BLACK LETTERS
⑫	SIGN PANEL - TYPE 1	ACCESSIBLE PARKING (R7-8)	SIGN PANEL, TY. 1	12" x 20"	WHITE SIGN, LETTERS AND SYMBOLS VARY
⑬	SIGN PANEL - TYPE 1	\$250 FINE	SIGN PANEL, TY. 1	12" x 6"	WHITE SIGN, BLUE LETTERS
⑭	SIGN PANEL - TYPE 1	STOP SIGN (R1-1)	SIGN PANEL, TY. 1	30" x 30"	RED SIGN, WHITE LETTERS

FILE NAME: V:\Champaign County FP\20034 Kickapoo Rail Trail America\CAD\20034 KickapooRailTrail-Gen Notes_Details.dwg



USER NAME = akustusch
 DESIGNED - A.Z.
 DRAWN - RT
 CHECKED - A.K.
 PLOT SCALE = \$\$\$CALE\$\$
 PLOT DATE = 3/18/2021

DESIGNED - A.Z.
 DRAWN - RT
 CHECKED - A.K.
 DATE - MARCH 2021

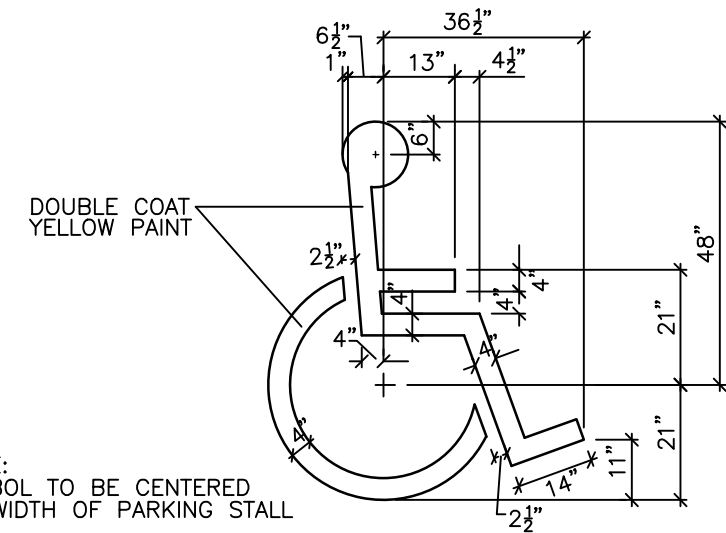
REVISED - ___
 REVISED - ___
 REVISED - ___
 REVISED - ___

STATE OF ILLINOIS
 DEPARTMENT OF TRANSPORTATION

CONSTRUCTION DETAILS

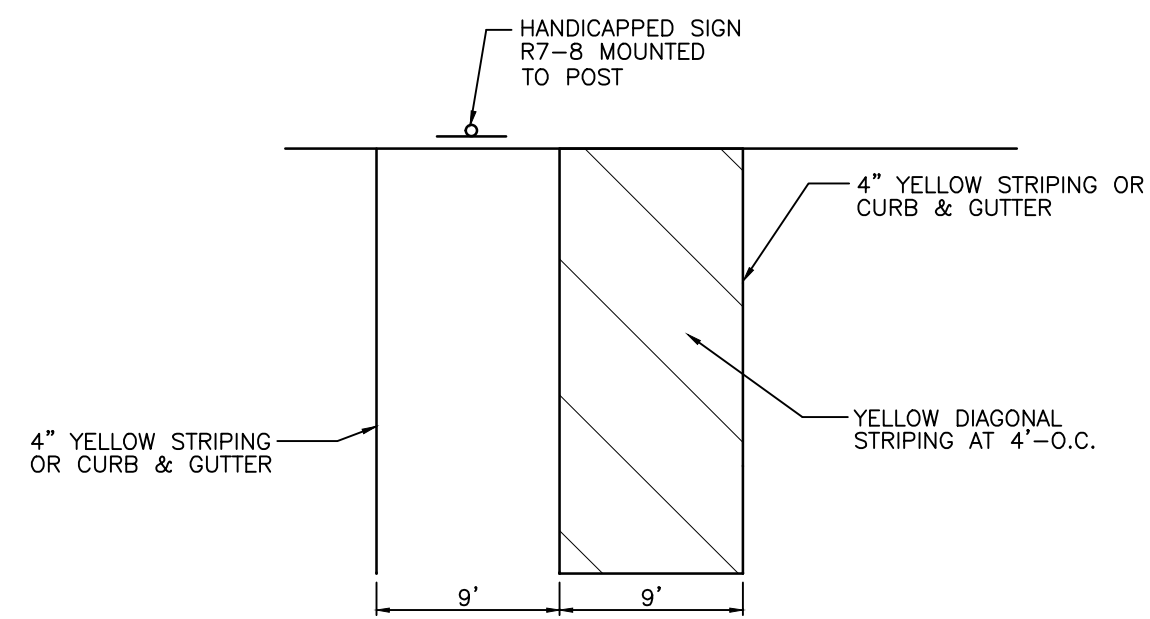
SCALE: N.T.S. SHEET NO. 1 OF 3 SHEETS

F.A.P. RTE.	SECTION	COUNTY	TOTAL SHEETS	SHEET NO.
-	08-F3000-04-BT	CHAMPAIGN	26	23
CONTRACT NO. 91605				
ILLINOIS FED. AID PROJECT				

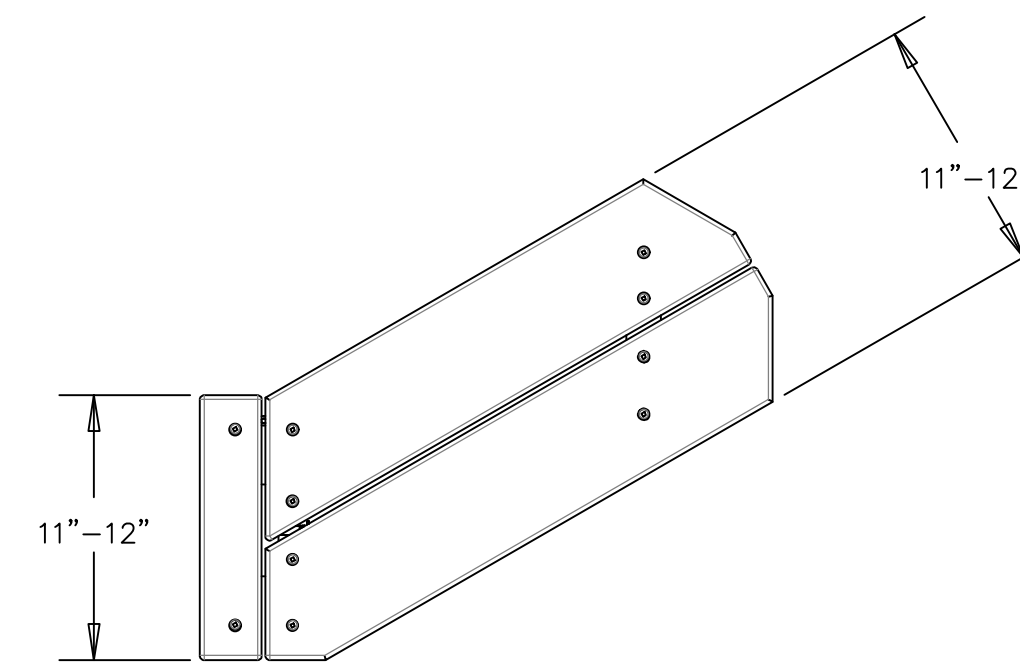


NOTE:
SYMBOL TO BE CENTERED
ON WIDTH OF PARKING STALL

HANDICAPPED PAINTED SYMBOLS
NOT TO SCALE



ACCESSIBLE STALL STRIPING & SIGNAGE
NOT TO SCALE



SEAT DETAILS

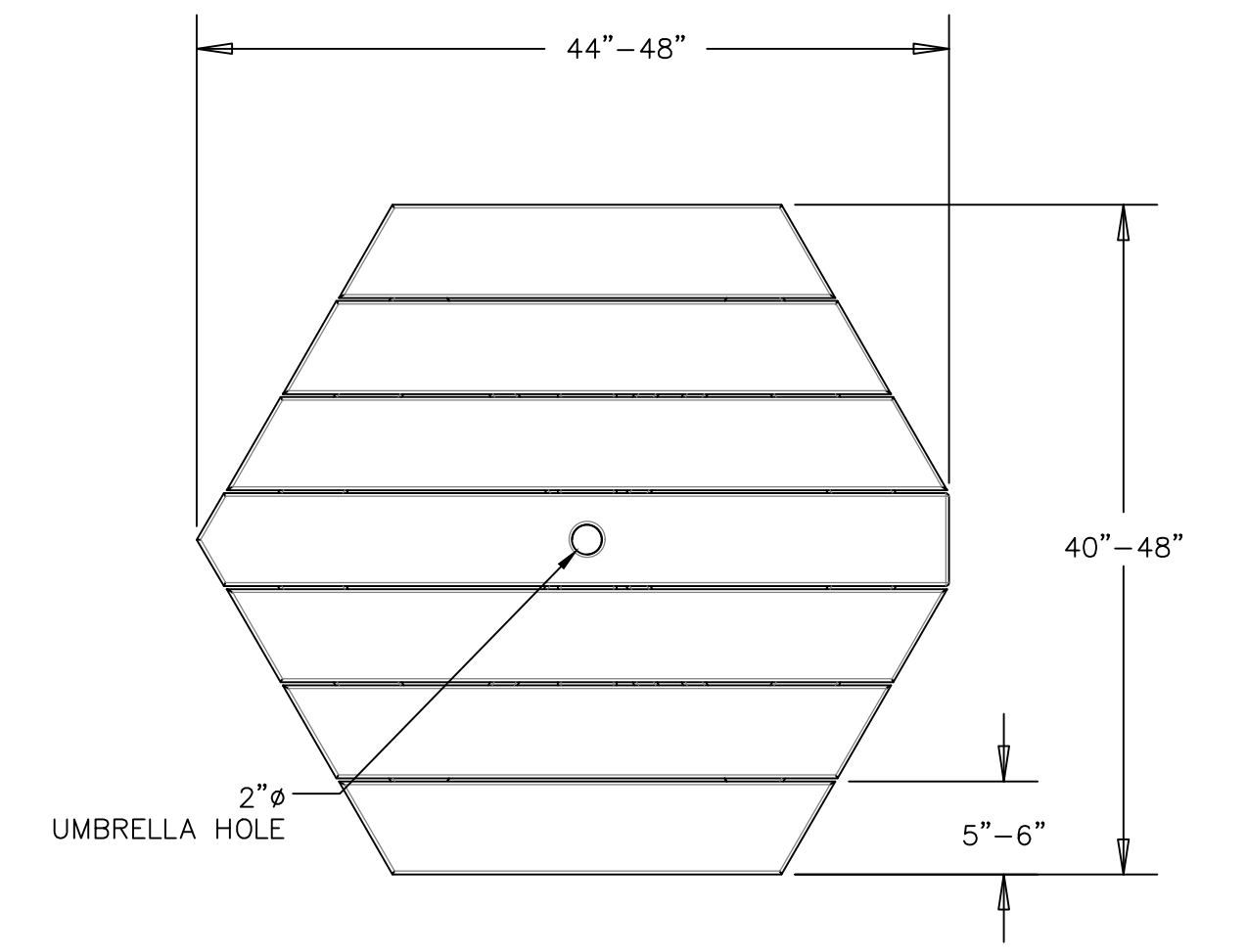
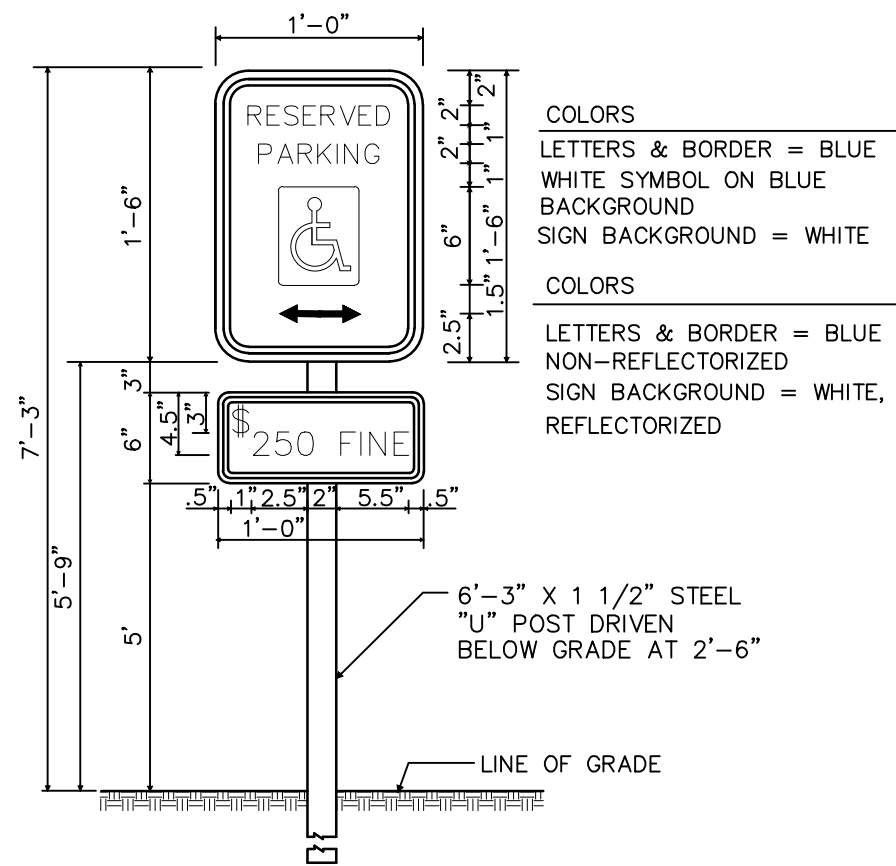
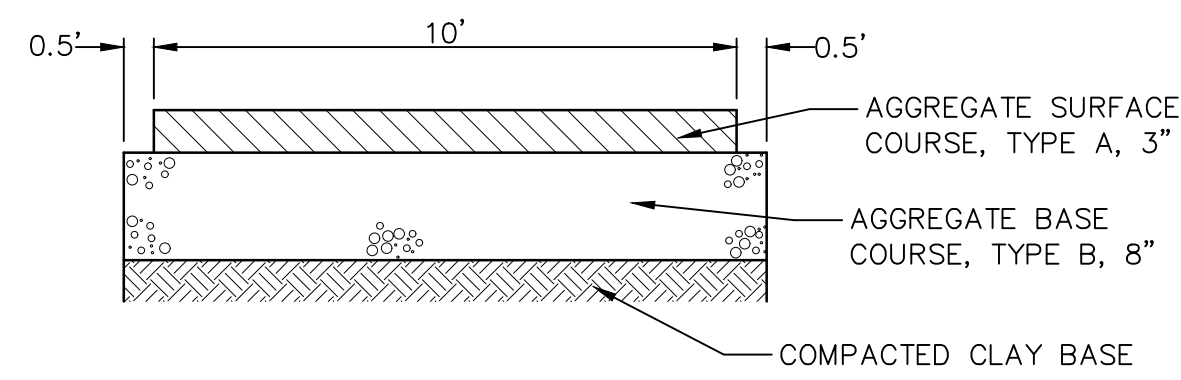


TABLE TOP DETAILS

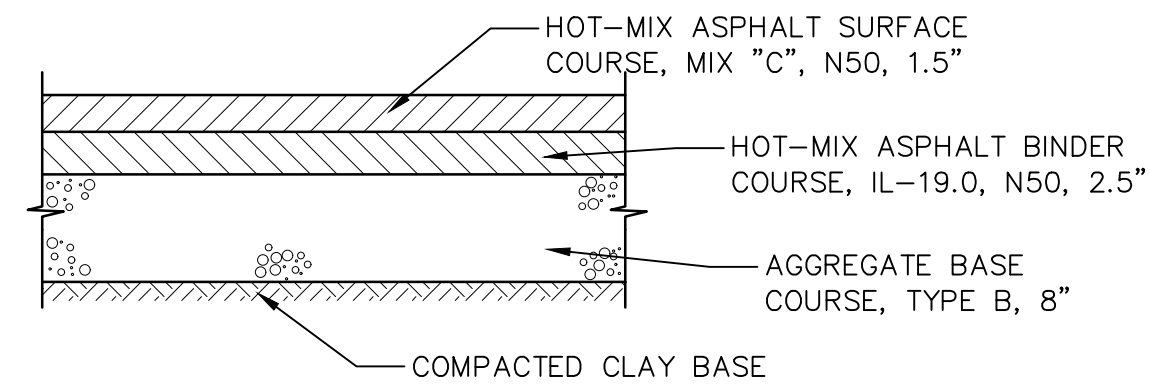


**ACCESSIBLE SIGN
DETAIL**
NOT TO SCALE

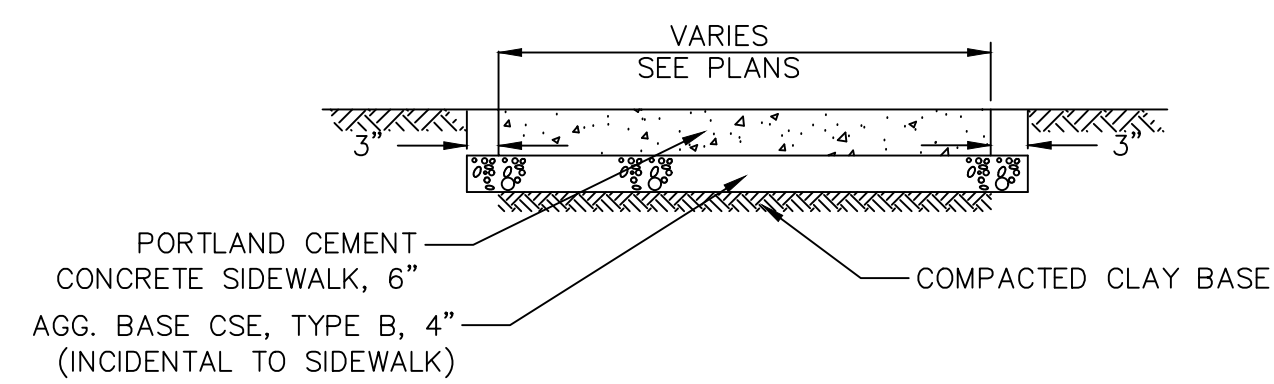
NOTE:
ONE STALL SHALL INCLUDE "VAN ACCESSIBLE" SIGN.
SIGNS SHALL BE SHIFTED UPWARDS ACCORDINGLY



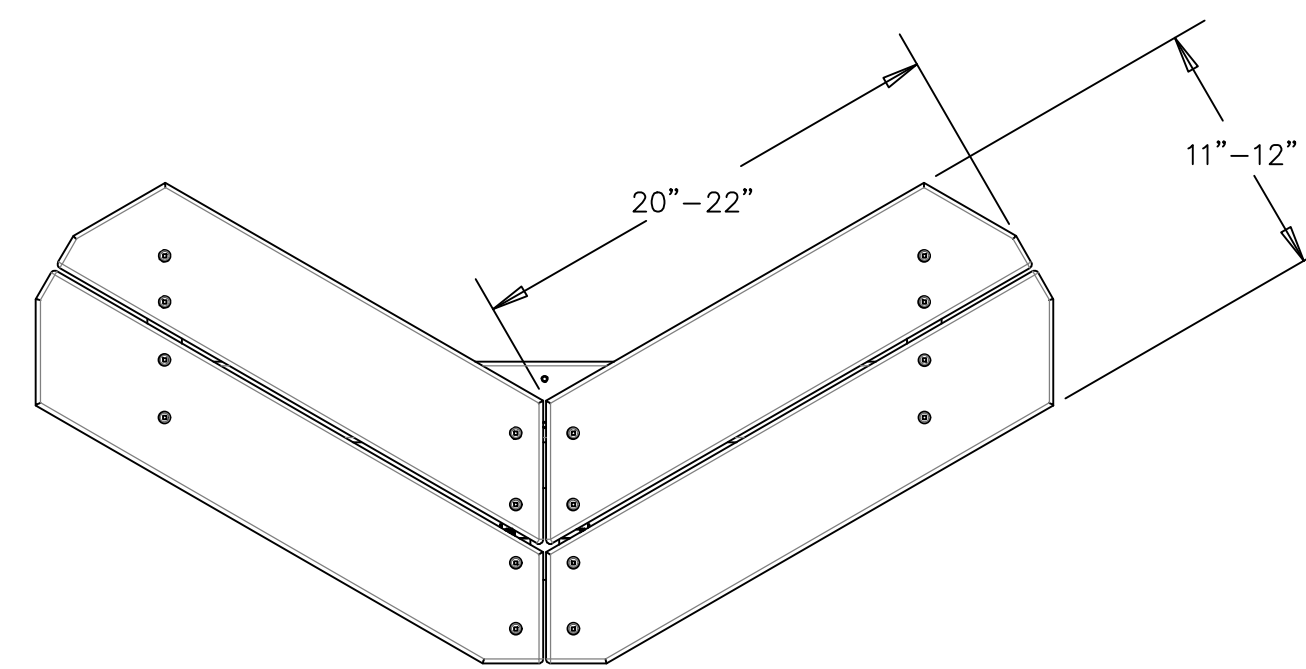
LIMESTONE SIDEWALK DETAIL
NOT TO SCALE



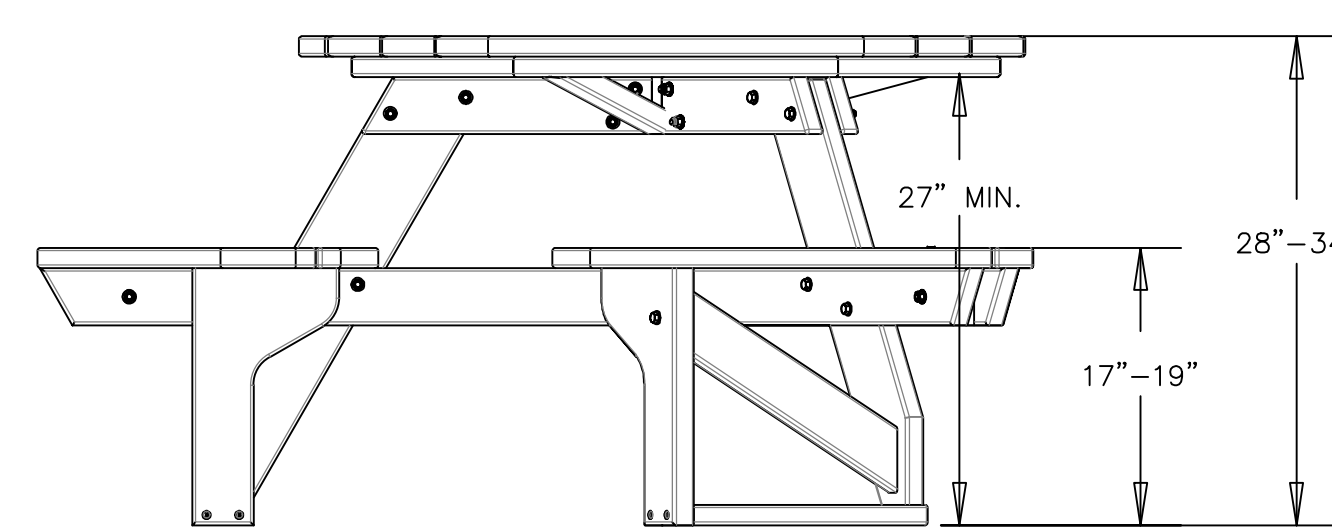
ASPHALT PAVEMENT DETAIL
NOT TO SCALE



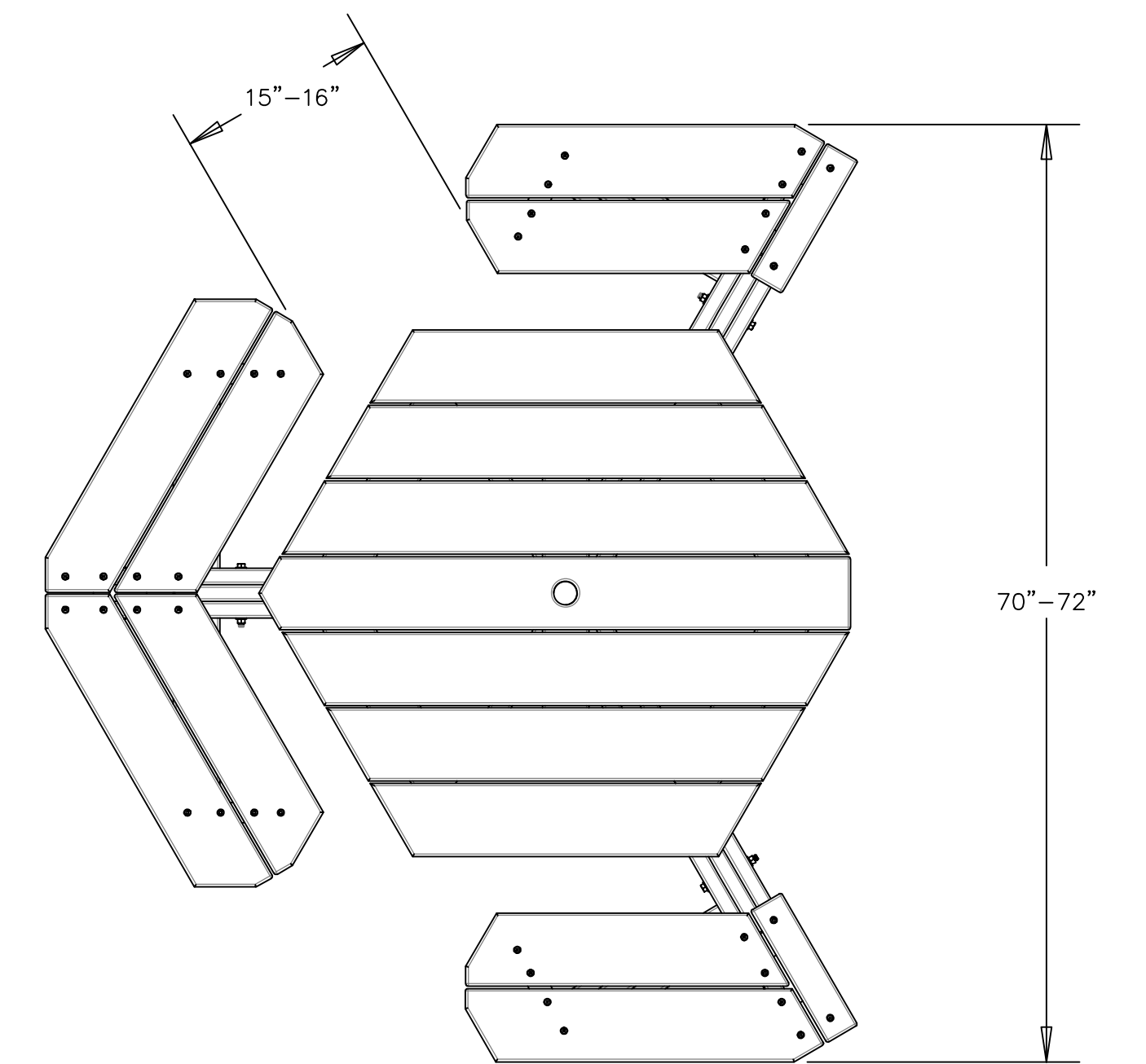
**PORTLAND CEMENT CONCRETE
SIDEWALK, 6" DETAIL**
NOT TO SCALE



SEAT DETAILS



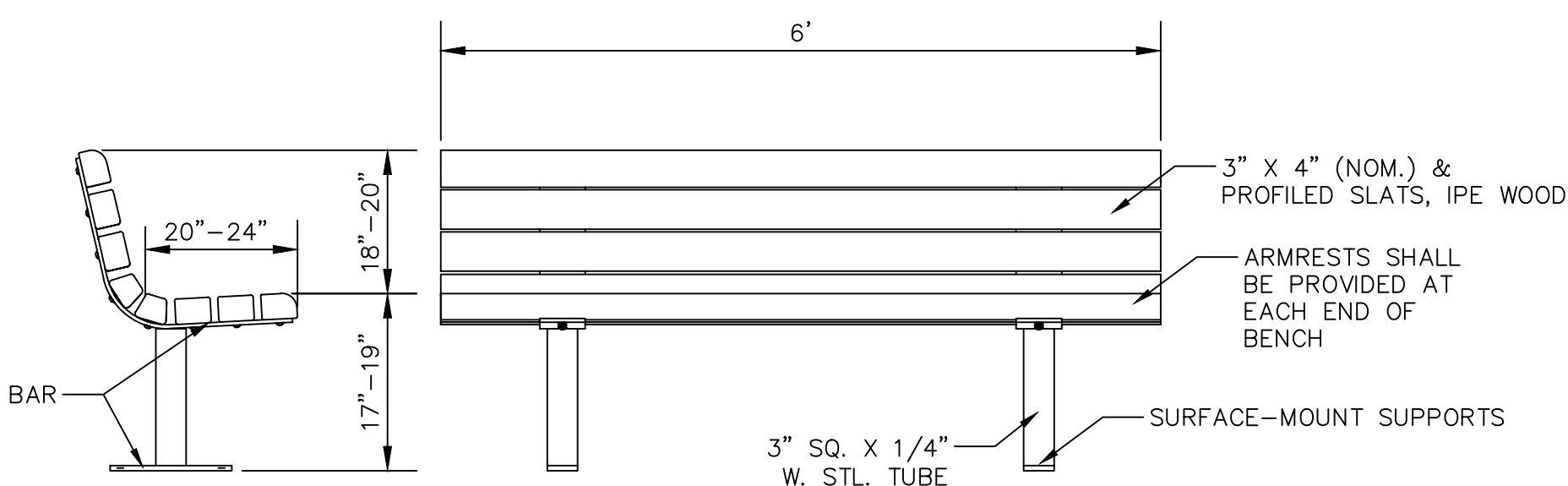
FRONT



TOP

NOTE: ALL MATERIAL IS RECYCLED PLASTIC LUMBER UNLESS NOTED

PICNIC TABLE DETAIL
NOT TO SCALE



BENCH DETAIL
NOT TO SCALE

- NOTES:**
1. ALL STL. MEMBERS COATED W/ZINC RICH EPOXY THEN FINISHED W/POLYESTER POWDER COATING.
 2. FRAME SHALL BE BLACK.
 3. BENCH SHALL BE MODEL 88-60I BY DUMOR, INC..

FILE NAME: V:\Champaign County FP\20034 Kickapoo Rail Trail America\CAD\20034 KickapooRailTrail-Gen Notes_Details.dwg



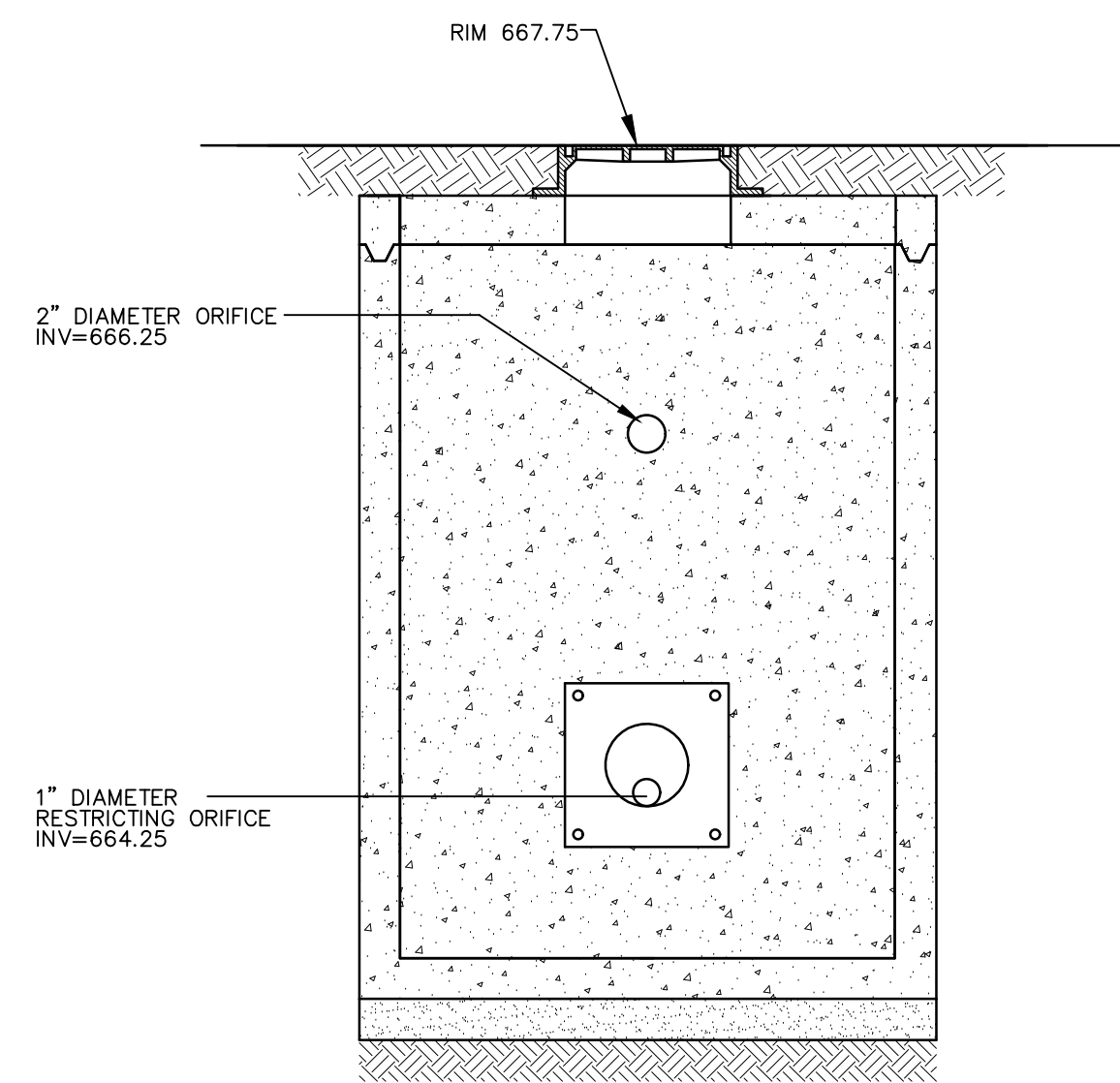
USER NAME = akustusch	DESIGNED - A.Z.	REVISED -
PLOT SCALE = \$\$\$CALE\$	DRAWN - RT	REVISED -
PLOT DATE = 3/18/2021	CHECKED - A.K.	REVISED -
	DATE - MARCH 2021	REVISED -

STATE OF ILLINOIS
DEPARTMENT OF TRANSPORTATION

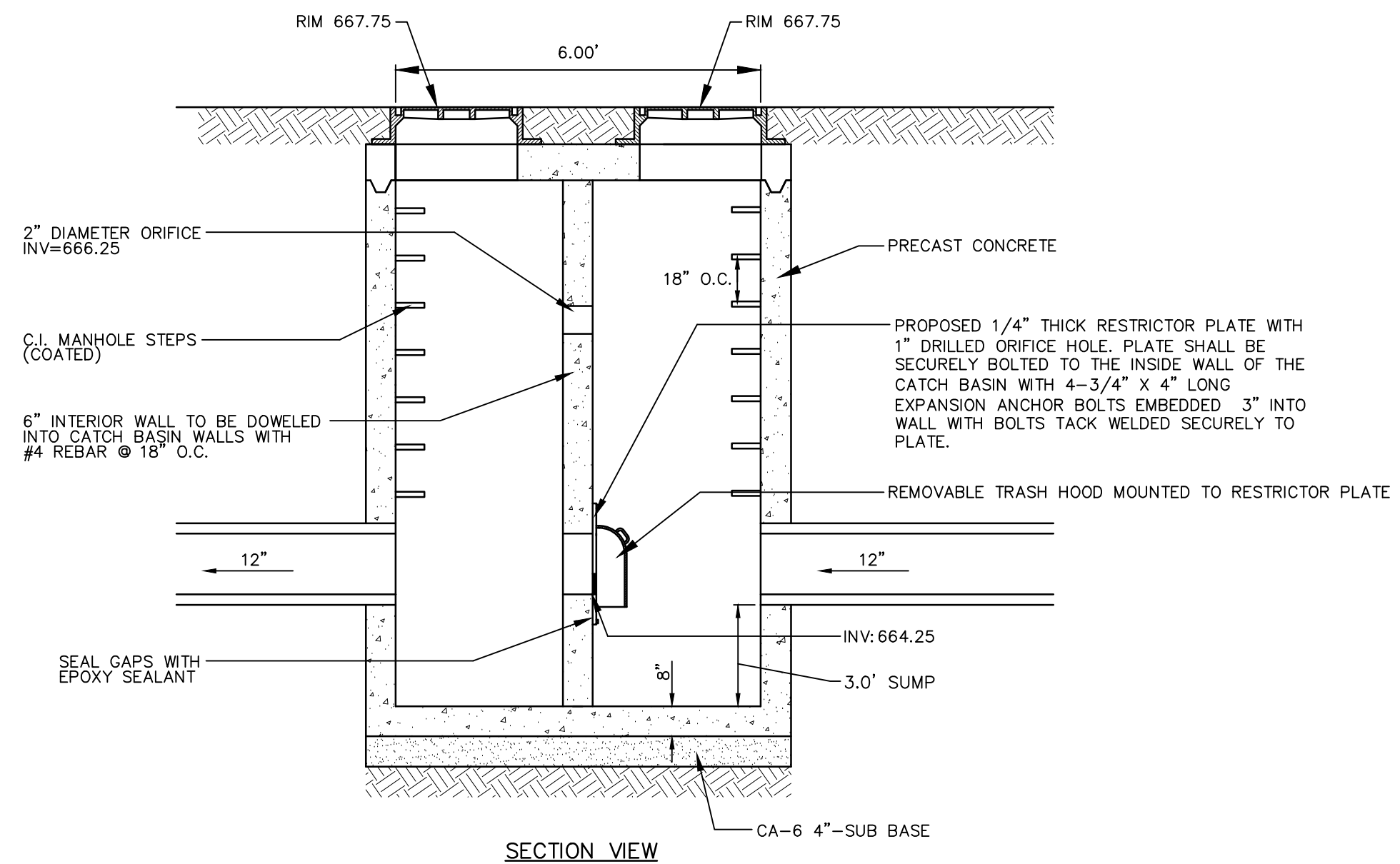
CONSTRUCTION DETAILS

SCALE: N.T.S. SHEET NO. 2 OF 3 SHEETS

F.A.P. RTE.	SECTION	COUNTY	TOTAL SHEETS	SHEET NO.
-	08-F3000-04-BT	CHAMPAIGN	26	24
			CONTRACT NO. 91605	
		ILLINOIS	FED. AID PROJECT	



FACE OF WALL VIEW



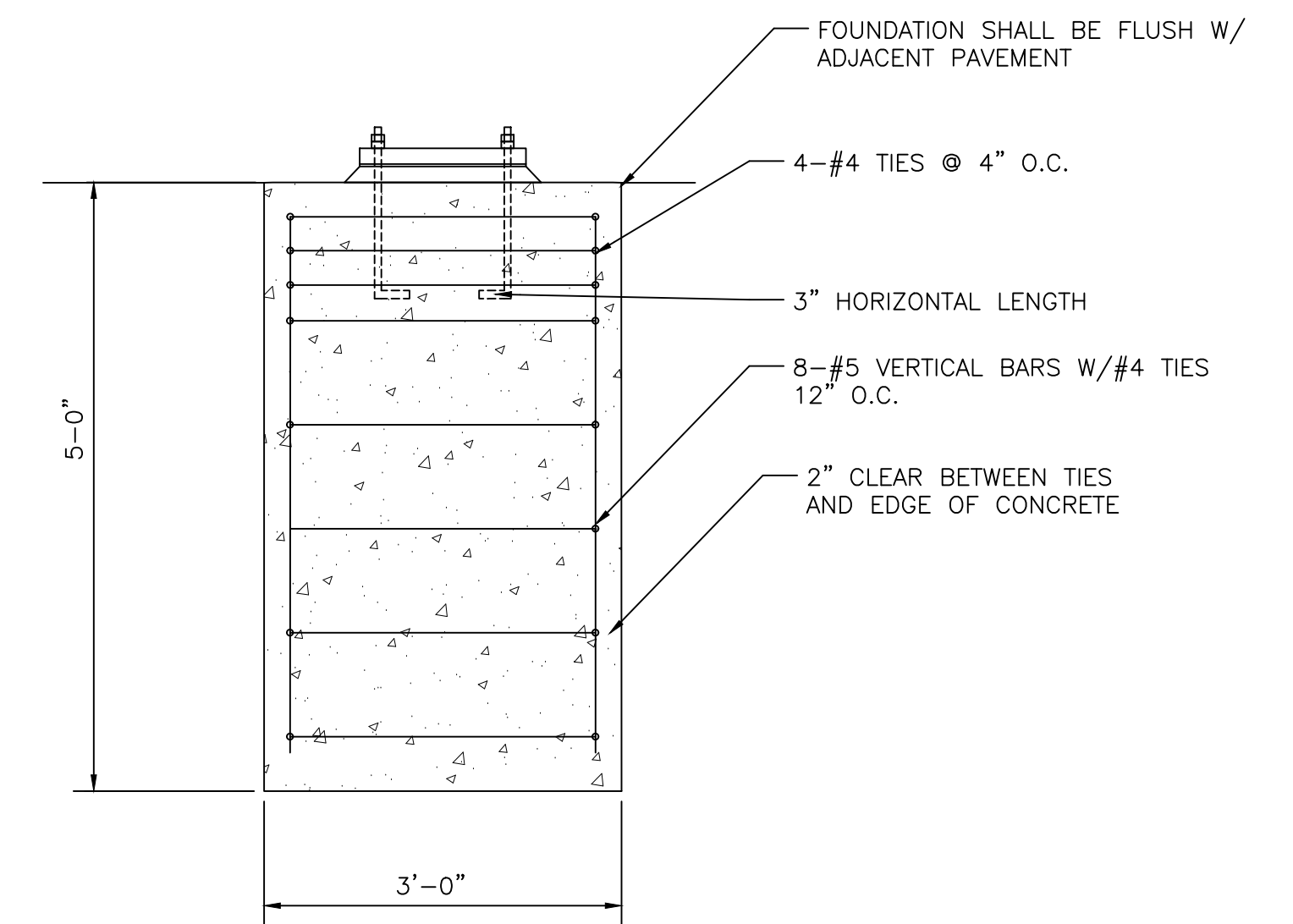
SECTION VIEW

**MANHOLE, TYPE A, 2' DIAMETER, WITH 2 TYPE 1 FRAME,
CLOSED LID, RESTRICTOR PLATE DETAIL**

NOT TO SCALE

NOTES:

- THE RESTRICTOR PLATE AND FASTENERS SHALL BE FABRICATED IN STEEL OR DUCTILE IRON.
- THE DEPTH OF THE ANCHOR BOLTS SHALL BE EMBEDDED AT LEAST 3" INTO THE STRUCTURE WALL.



CONCRETE FOUNDATION FOR STEEL POST AND SIGN DETAIL

NOT TO SCALE

FILE NAME: V:\Champaign County FP\20034 Kikepoo Rail Trail America\CADD\20034 KikepooRailTrail-Gen Notes_Details.dwg



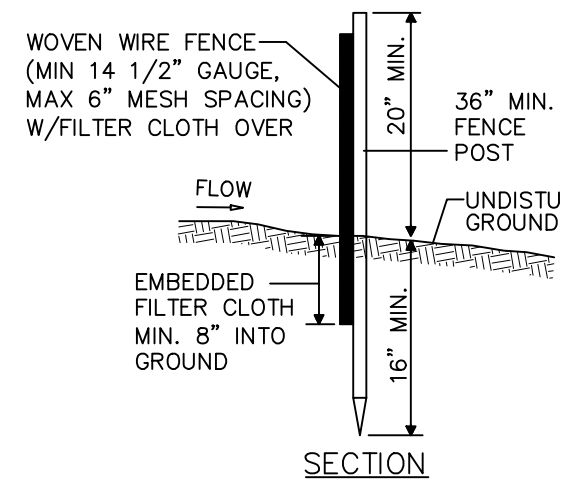
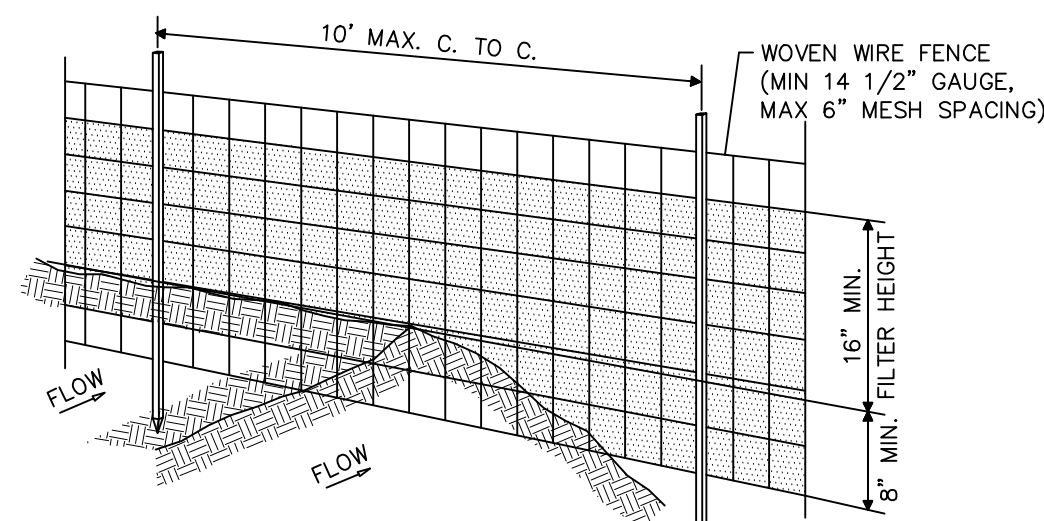
USER NAME = akustusch	DESIGNED - A.Z.	REVISED -
PLOT SCALE = \$SCALE\$	DRAWN - RT	REVISED -
PLOT DATE = 3/18/2021	CHECKED - A.K.	REVISED -
	DATE - MARCH 2021	REVISED -

STATE OF ILLINOIS
DEPARTMENT OF TRANSPORTATION

CONSTRUCTION DETAILS

SCALE: N.T.S. SHEET NO. 3 OF 3 SHEETS

F.A.P. RTE.	SECTION	COUNTY	TOTAL SHEETS	SHEET NO.
-	08-F3000-04-BT	CHAMPAIGN	26	25
CONTRACT NO. 91605				
ILLINOIS		FED. AID PROJECT		

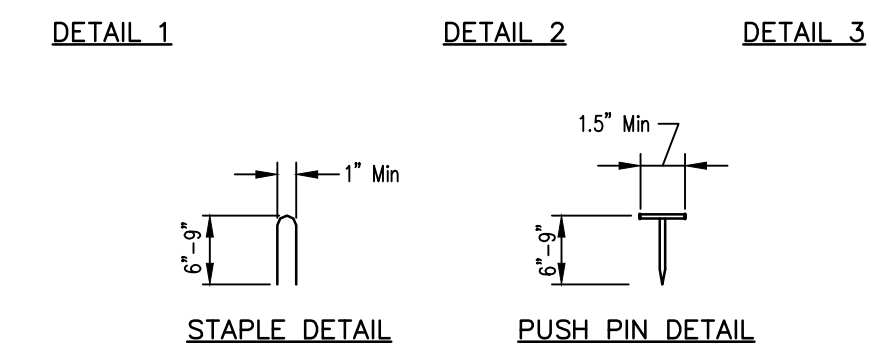
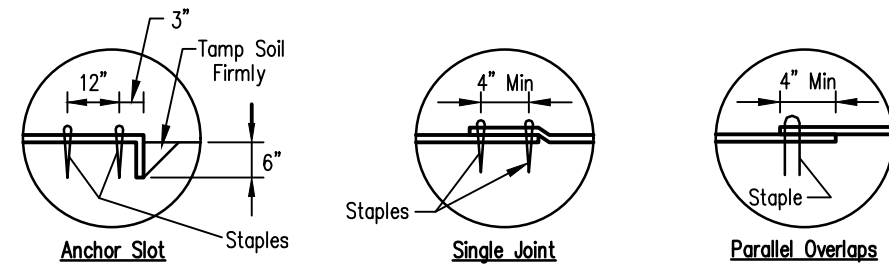
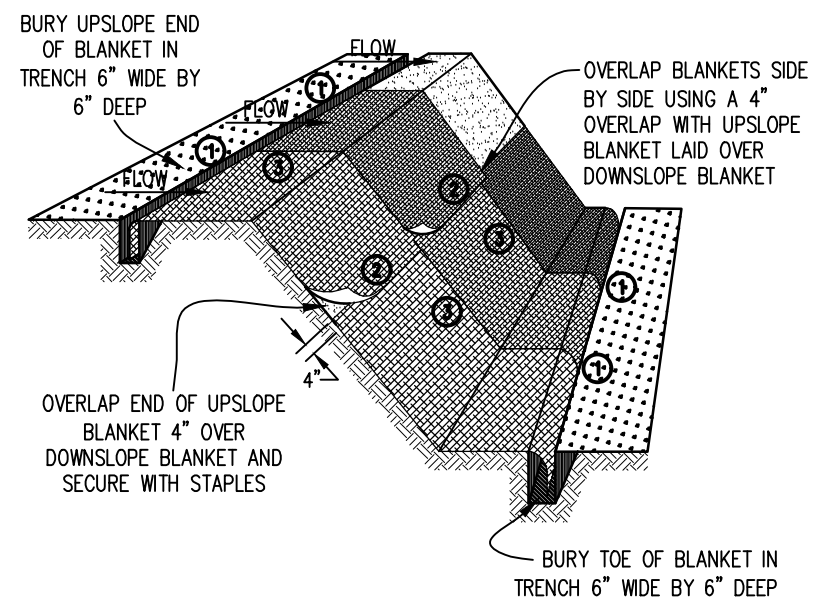


- WOVEN WIRE FENCE TO BE FASTENED SECURELY TO FENCE POSTS WITH TIES OR STAPLES.
- FILTER CLOTH TO BE FASTENED SECURELY TO WOVEN WIRE FENCE WITH TIES SPACED EVERY 24" AT TOP AND MID SECTION.
- WHEN TWO SECTIONS OF FILTER CLOTH ADJOIN EACH OTHER THEY SHALL BE OVER-LAPPED BY SIX INCHES AND FOLDED.
- MAINTENANCE SHALL BE PERFORMED AS NEEDED AND MATERIAL REMOVED WHEN BULGES DEVELOP IN THE SILT FENCE.

POSTS: STEEL EITHER OR U TYPE OR 2" HARDWOOD.
FENCE: WOVEN WIRE, 14-1/2" GA, 6" MAX. MESH OPENING
FILTER CLOTH: FILTER X, MIRAFI 100X, STABILINKA T140N.

PREFABRICATED UNIT: GEOFAB, ENVROFENCE.

SILT FENCE
NOT TO SCALE



NOTES:

- Staples shall be placed in a diamond pattern at 2 per sq. yd. for stitched blankets. Non-stitched shall use 4 staples per sq. yd. This equates to 200 staples with stitched blanket and 400 staples with non-stitched blanket per 100 sq. yd. of material.
- Staple or push pin lengths shall be selected based on soil type and conditions. (minimum staple length is 6")
- Erosion control material shall be placed in contact with the soil over a prepared seedbed.
- All anchor slots shall be stapled at approximately 12" intervals.

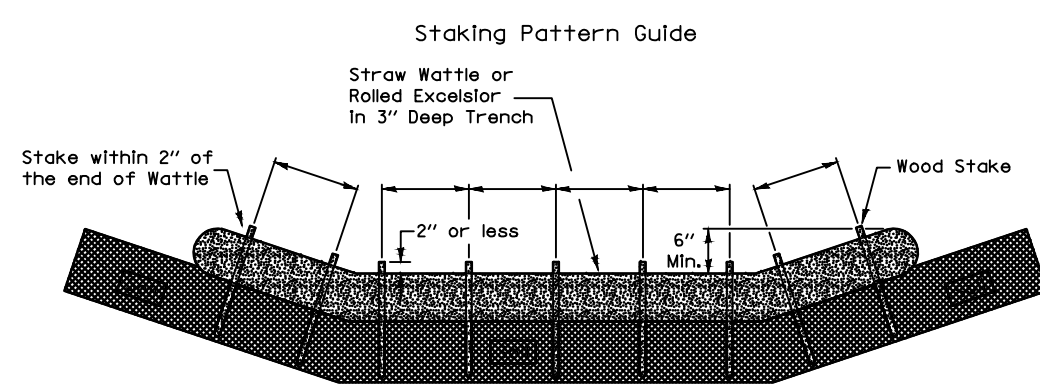
EROSION CONTROL BLANKET INSTALLATION DETAILS

Project	Date	Designed	Date	Checked	Date	Approved	Date

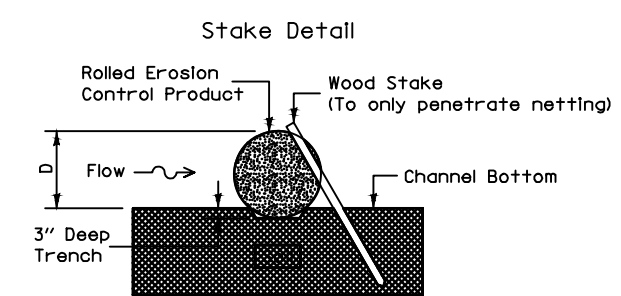


STANDARD DWG. NO. IL-610
SHEET 1 OF 1
DATE 9-15-93

ROLLED EROSION CONTROL PRODUCTS



- Notes:**
- Overlap minimum is the diameter of the roll.
 - 4" spacing for wattles.
 - 2" spacing for rolled excelsior.
 - 0" space according to manufacturer's specifications.

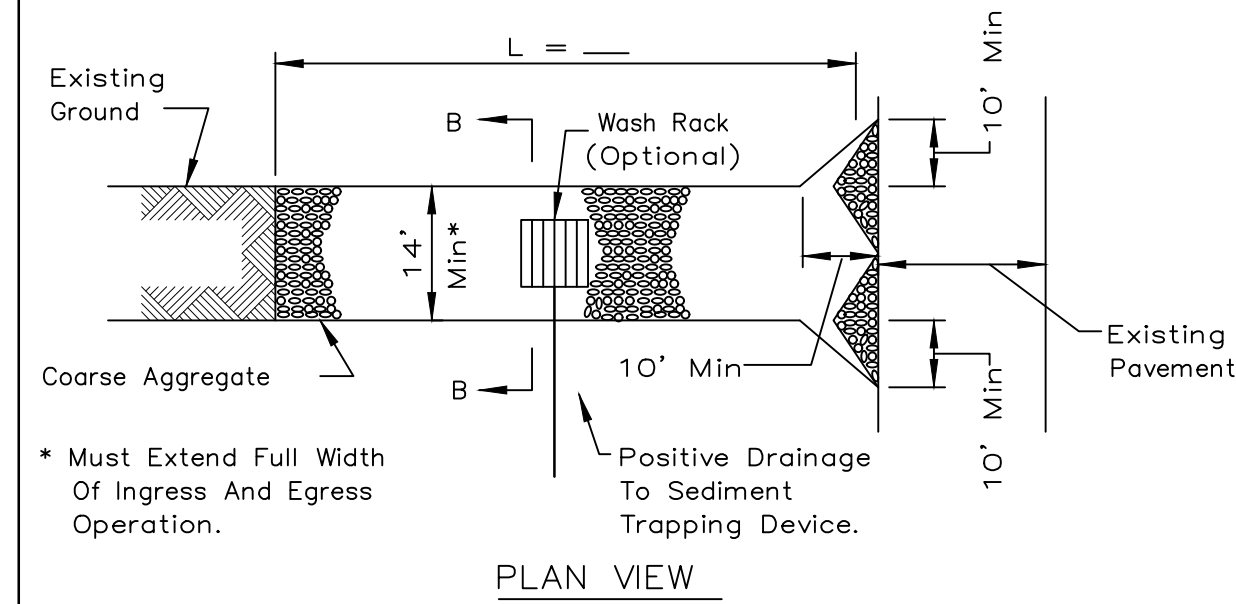


- Notes:**
- Drawings are not to scale.
 - Ends of wattles or rolled excelsior shall be turned at least 6" upslope.
 - Recommended stakes are 1 1/8" wide x 1 1/8" thick x 30" long.
 - Stakes shall not extend above the straw wattle more than 2".
 - Spacing: The toe of the upstream ditch check shall create a horizontal line with the top of the downstream ditch check.

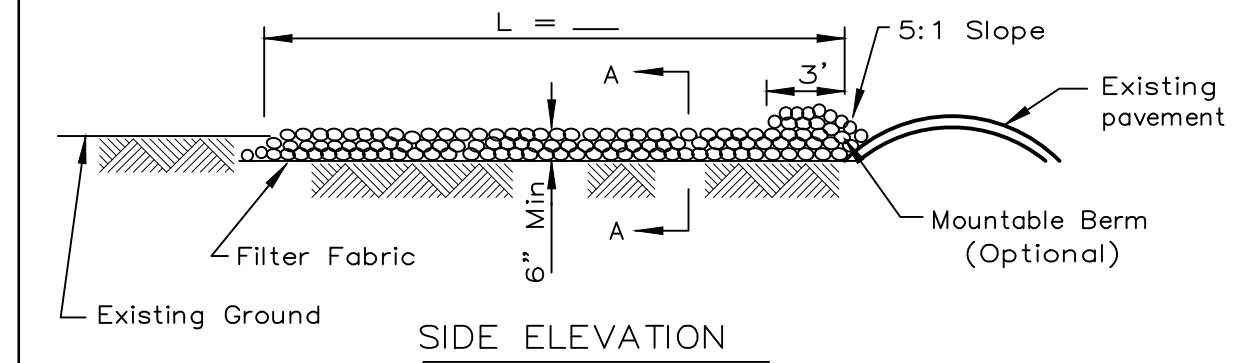
Project	Date	Designed	Date	Checked	Date	Approved	Date

DESIGNED -	A.Z.	REVISED -	---
DRAWN -	RT	REVISED -	---
CHECKED -	A.K.	REVISED -	---
DATE -	MARCH 2021	REVISED -	---

STABILIZED CONSTRUCTION ENTRANCE PLAN



* Must Extend Full Width Of Ingress And Egress Operation.



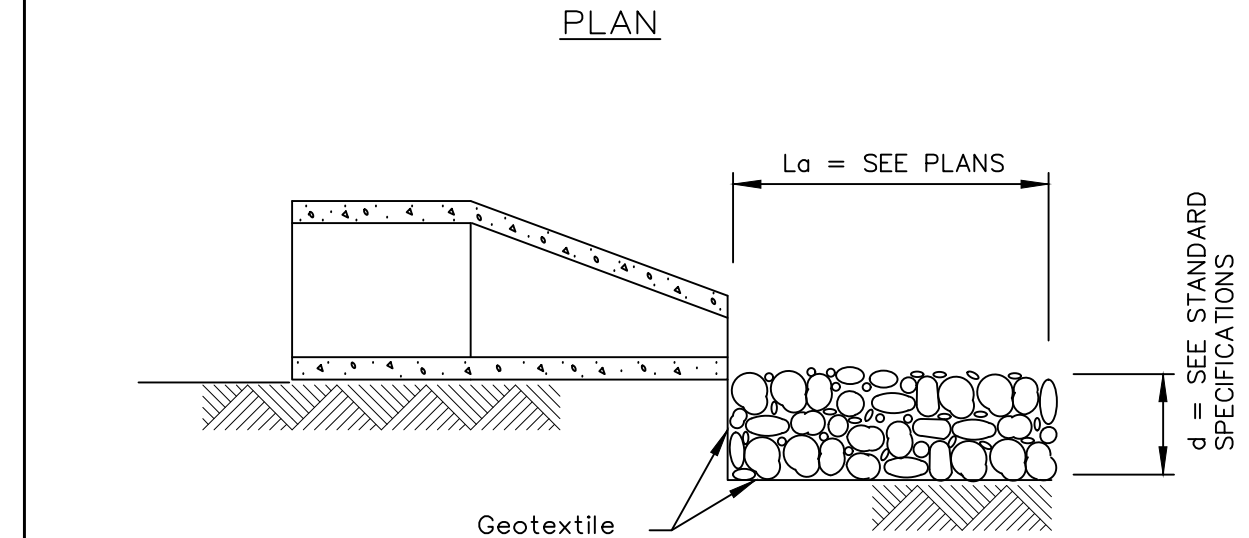
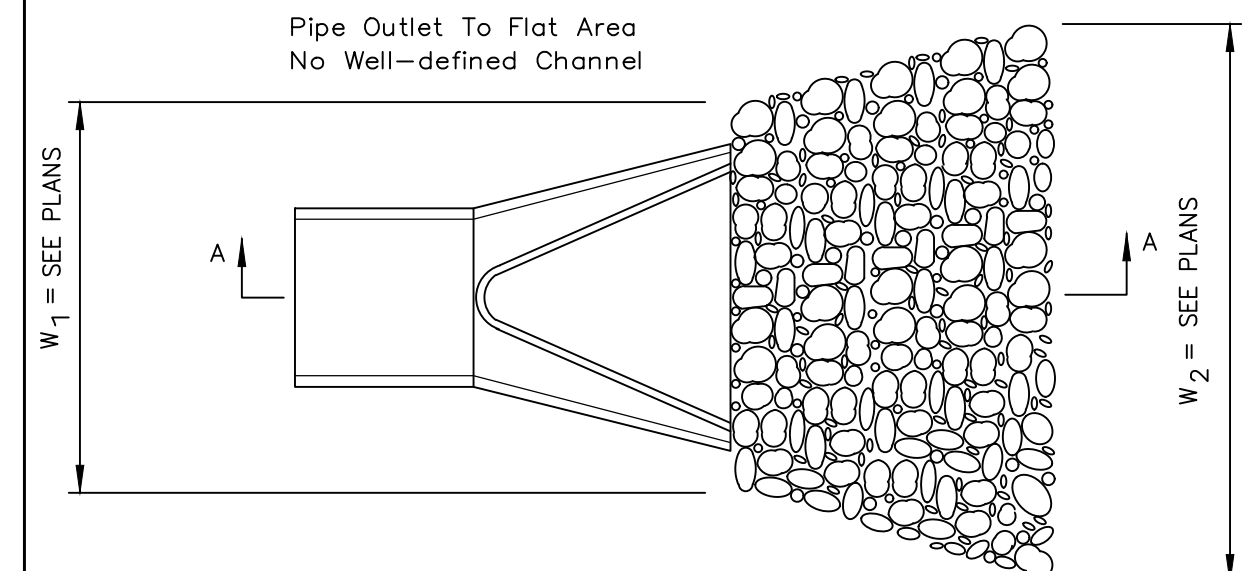
- NOTES:**
- Filter fabric shall meet the requirements of material specification 592 GEOTEXTILE, Table 1 or 2, Class I, II or IV and shall be placed over the cleared area prior to the placing of rock.
 - Rock or reclaimed concrete shall meet one of the following IDOT coarse aggregate gradation, CA-1, CA-2, CA-3 or CA-4 and be placed according to construction specification 25 ROCKFILL using placement Method 1 and Class III compaction.
 - Any drainage facilities required because of washing shall be constructed according to manufacturers specifications.
 - If wash racks are used they shall be installed according to the manufacturer's specifications.

Project	Date	Designed	Date	Checked	Date	Approved	Date



STANDARD DWG. NO. IL-630
SHEET 1 OF 2
DATE 8-18-94

PIPE OUTLET TO FLAT AREA



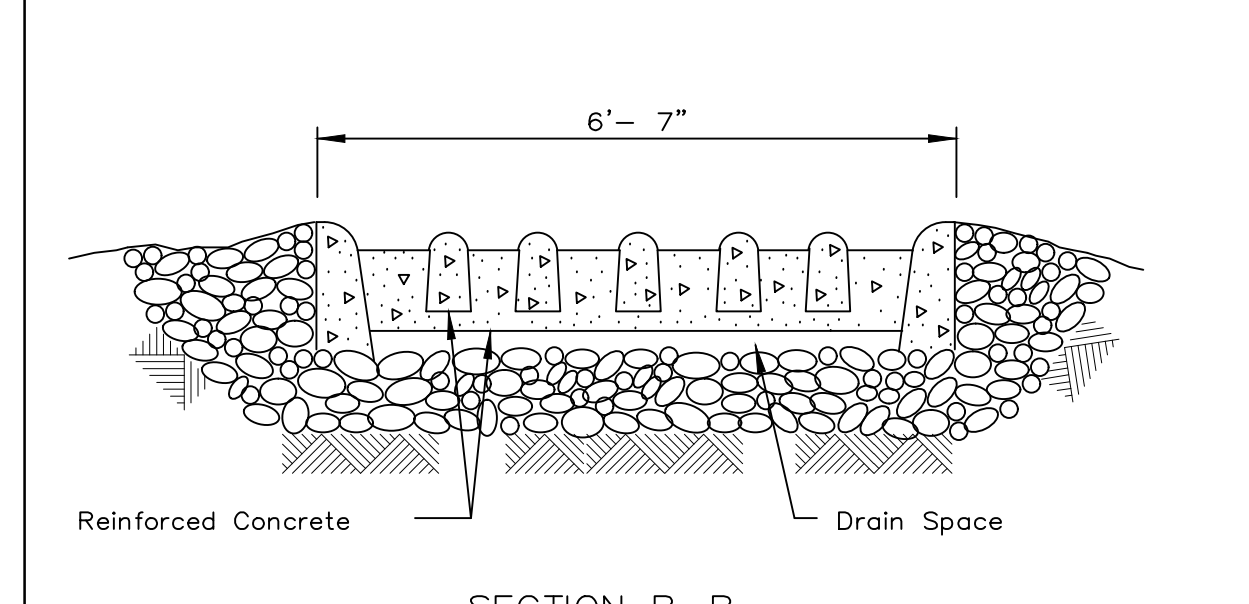
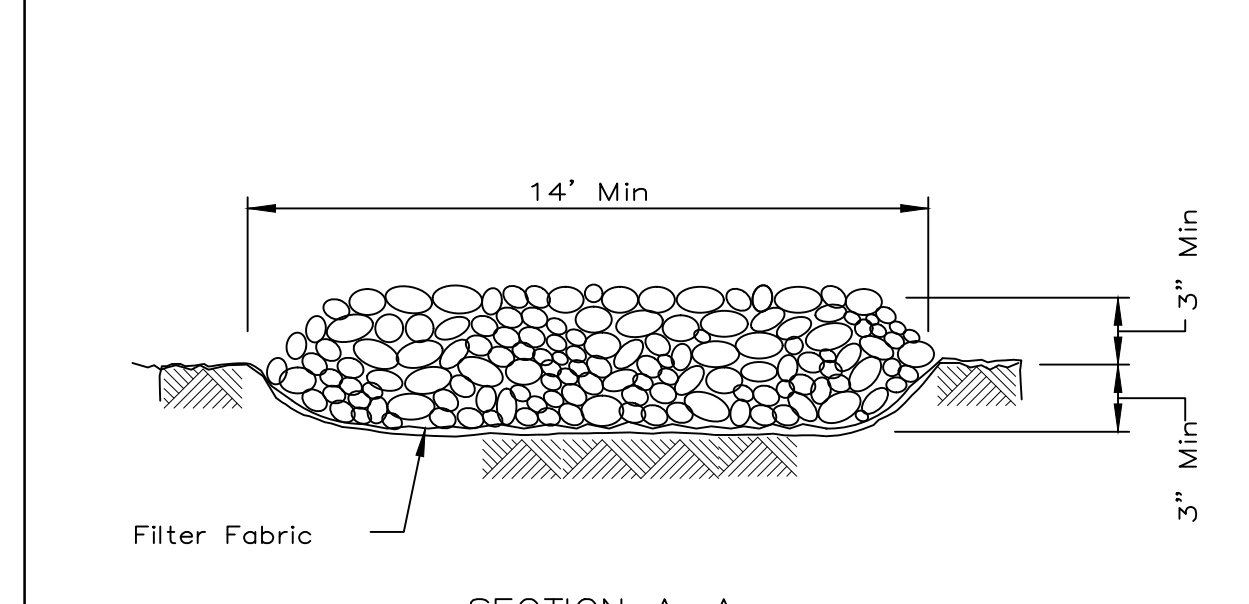
- NOTES:**
- The filter fabric shall meet the requirements in material specifications 592 GEOTEXTILE Table 1 or 2, class I, II or III.
 - The rock riprap shall meet the IDOT requirements for the gradation noted on the plans.

Project	Date	Designed	Date	Checked	Date	Approved	Date



STANDARD DWG. NO. IL-610
SHEET 1 OF 1
DATE 9-15-93

STABILIZED CONSTRUCTION ENTRANCE PLAN



Project	Date	Designed	Date	Checked	Date	Approved	Date



STANDARD DWG. NO. IL-630
SHEET 2 OF 2
DATE 8-18-94

SEDIMENT EROSION CONTROL AND POLLUTION PREVENTION NOTES:

- DURING CONSTRUCTION, AREAS OUTSIDE THE CONSTRUCTION LIMITS SHALL BE PROTECTED. THE CONTRACTOR SHALL NOT USE THIS AREA FOR STAGING, PARKING OF VEHICLES OF CONSTRUCTION EQUIPMENT, STORAGE OF MATERIALS OR OTHER CONSTRUCTION RELATED ACTIVITIES.
- CONSTRUCTION EQUIPMENT SHALL BE STORED AND FUELED ONLY AT OWNER APPROVED LOCATIONS. ALL NECESSARY MEASURES SHALL BE TAKEN TO CONTAIN ANY FUEL OR OTHER POLLUTANT IN ACCORDANCE WITH EPA WATER QUALITY REGULATIONS. LEAKING EQUIPMENT OR SUPPLIES SHALL BE IMMEDIATELY REPAIRED OR REMOVED FROM THE SITE.
- TEMPORARY SEDIMENT CONTROL SYSTEMS SHALL BE LEFT IN PLACE WITH PROPER MAINTENANCE UNTIL PERMANENT EROSION CONTROL IS IN PLACE AND WORKING PROPERLY AND ALL PERMANENT VEGETATION IS GROWING AND THRIVING.
- EROSION CONTROL MEASURES SHALL BE INSTALLED PRIOR TO START OF CONSTRUCTION. ALL EROSION CONTROL MEASURES MUST BE INSPECTED WEEKLY AND AFTER EACH 1/2" RAIN EVENT.
- THE EROSION CONTROL BLANKET AND/OR STRAW MULCH WITH NETTING (DEPENDING ON SLOPE, SLOPE LENGTH AND FLOW RATES) SHALL BE INSTALLED ON ALL SLOPES AND IN CRITICAL AREAS (I.E. POND PERIMETER, BERMS, ETC.) IMMEDIATELY UPON FINAL GRADING.
- IN AREAS WHERE WORK IS COMPLETE, PERMANENT STABILIZATION SHALL OCCUR WITHIN 7 DAYS OF COMPLETION, AND IN AREAS WHERE WORK HAS TEMPORARILY CEASED FOR 14 DAYS OR MORE, TEMPORARY STABILIZATION SHALL OCCUR BY THE 7TH DAY AFTER WORK HAS CEASED.
- TEMPORARY EROSION CONTROL SEEDING SHALL BE APPLIED AT A RATE OF 50 LBS./ACRES.
- WINTER SHUTDOWN SHALL BE ADDRESSED EARLY IN THE FALL GROWING SEASON SO THAT SLOPES AND OTHER BARE EARTH AREAS MAY BE STABILIZED WITH TEMPORARY AND/OR PERMANENT VEGETATIVE COVER FOR PROPER EROSION AND SEDIMENT CONTROL.
- ALL ADJACENT STREETS MUST BE KEPT CLEAR OF DEBRIS. INSPECTED DAILY AND CLEANED WHEN NECESSARY AND AS DIRECTED BY ENGINEER.
- UNLESS OTHERWISE INDICATED, ALL VEGETATIVE AND STRUCTURAL EROSION AND SEDIMENT CONTROL PRACTICES WILL BE CONSTRUCTED ACCORDING TO MINIMUM STANDARDS AND SPECIFICATIONS IN THE MOST RECENT ILLINOIS URBAN MANUAL.
- A COPY OF THE APPROVED EROSION AND SEDIMENT CONTROL PLAN SHALL BE MAINTAINED ON THE SITE AT ALL TIMES.
- THE CONTRACTOR IS RESPONSIBLE FOR INSTALLATION OF ANY ADDITIONAL EROSION CONTROL MEASURES NECESSARY TO PREVENT EROSION AND SEDIMENTATION AS DETERMINED BY THE ENGINEER, CITY OF ST JOSEPH, OR CHAMPAIGN COUNTY.
- NO WORK SHALL BE PERFORMED IN FLOWING WATER. WORK IN AND NEAR THE CRITICAL AREAS SHOULD BE ISOLATED FROM CONCENTRATED FLOWS OR STREAM FLOW. ONCE WORK IN THIS AREA BEGINS, PRIORITY SHALL BE GIVEN TO THE COMPLETION OF THE WORK AND FINAL STABILIZATION OF ALL DISTURBED AREAS.
- WHERE THERE IS LOW, INTERMITTENT AMOUNTS OF DEWATERING, PUMPS WITH FILTRATION BAGS SHALL BE USED. FILTRATION BAGS SHALL BE ATTACHED TO PUMP DISCHARGES AND SURROUNDED WITH A SECONDARY CONTAINMENT OR ON A STABILIZED AREA. FILTER BAGS SHALL NOT BE PLACED, WHOLE OR PARTIALLY, WITHIN AQUATIC AREAS (WETLANDS, STREAMS, ETC.) THE MATERIAL FOR THE FILTRATION BAG SHALL MEET THE REQUIREMENTS OF MATERIAL SPECIFICATION 592 GEOTEXTILE OF THE ILLINOIS URBAN MANUAL, TABLE 2, CLASS I WITH A MINIMUM TENSILE STRENGTH OF 200 LBS. THE FILTRATION BAG SHALL BE SIZED PER MANUFACTURER RECOMMENDATIONS AND BASED ON THE SIZE OF THE PUMP.
- IF THE CONTRACTOR ENCOUNTERS GROUNDWATER EITHER DURING CONSTRUCTION OR PRIOR TO THE START OF CONSTRUCTION, A DEWATERING PLAN SHALL BE PROVIDED TO THE ENGINEER FOR REVIEW.
- IT IS THE RESPONSIBILITY OF THE GENERAL CONTRACTOR TO INFORM ANY SUB-CONTRACTOR(S) WHO MAY PERFORM WORK ON THIS PROJECT, OF THE REQUIREMENTS IN IMPLEMENTING AND MAINTAINING THESE EROSION CONTROL PLANS AND ASSURE COMPLIANCE WITH ALL APPLICABLE LOCAL, STATE AND FEDERAL REGULATIONS.
- CONSTRUCTION IS COMPLETE AFTER ACCEPTANCE BY THE OWNER. MAINTENANCE UP TO THIS DATE WILL BE BY THE CONTRACTOR.
- NO STOCKPILING IS PERMITTED WITHIN THE FLOODPLAIN. STOCKPILES THAT ARE TO REMAIN IN PLACE MORE THAN THREE DAYS SHALL BE PROVIDED WITH SOIL EROSION AND SEDIMENT CONTROL MEASURES.
- SEDIMENT COLLECTED DURING CONSTRUCTION BY THE VARIOUS TEMPORARY SEDIMENT CONTROL SYSTEMS SHALL BE DISPOSED OF ON THE SITE ON A REGULAR BASIS, AS DIRECTED BY THE ENGINEER. THE COST OF THIS MAINTENANCE SHALL BE INCLUDED IN THE COST OF THE EROSION CONTROL SYSTEMS AND SHALL NOT BE PAID FOR SEPARATELY.
- ALL DROP INLETS ON AND ADJACENT TO THE SITE MUST HAVE A SEDIMENT TRAPPING OR CONTAINMENT DEVICE INSTALLED DURING CONSTRUCTION ACTIVITIES. FILTER FABRIC ON ITS OWN IS NOT AN APPROVED METHOD. A MANUFACTURE'S SPEC SHOULD BE USED FOR PREFABRICATED DROP INLET PROTECTION AND SHOULD BE AS THE ILLINOIS URBAN MANUAL STANDARD 861 FOR INLET PROTECTION.
- ALL TEMPORARY EROSION AND SEDIMENT CONTROL MEASURES SHALL BE REMOVED WITHIN 30 DAYS AFTER FINAL STABILIZATION IS ACHIEVED. TRAPPED SEDIMENT AND OTHER DISTURBED SOILS RESULTING FROM TEMPORARY MEASURES SHALL BE PROPERLY DISPOSED OF PRIOR TO PERMANENT STABILIZATION.
- ALL EROSION AND SEDIMENT CONTROL PRODUCTS FURNISHED SHALL BE SPECIFICALLY RECOMMENDED BY THE MANUFACTURER FOR THE USE SPECIFIED IN THE EROSION AND SEDIMENT CONTROL PLAN. PRIOR TO THE APPROVAL AND USE IN THE PROJECT, THE CONTRACTOR SHALL SUBMIT TO THE ENGINEER A NOTARIZED CERTIFICATION BY THE PRODUCER STATING THE INTENDED USE OF THE PRODUCT AND THAT THE PHYSICAL PROPERTIES REQUIRED FOR THIS APPLICATION ARE MET OR EXCEEDED. THE CONTRACTOR SHALL PROVIDE MANUFACTURER INSTALLATION PROCEDURES TO FACILITATE THE ENGINEER IN CONSTRUCTION INSPECTION.
- THE DRAWINGS, SPECIFICATIONS AND SPECIAL PROVISIONS WILL ENSURE THAT EXISTING VEGETATION IS PRESERVED WHERE ATTAINABLE AND DISTURBED PORTIONS OF THE SITE WILL BE STABILIZED. STABILIZATION PRACTICES INCLUDE TEMPORARY SEEDING, PERMANENT SEEDING, PROTECTION OF TREES, PRESERVATION OF NATURAL VEGETATION, AND OTHER APPROPRIATE MEASURES AS DIRECTED BY THE ENGINEER. AREAS OF EXISTING VEGETATION, WOOD AND GRASSLANDS, OUTSIDE THE PROPOSED CONSTRUCTION LIMITS SHALL BE IDENTIFIED BY THE ENGINEER FOR PRESERVING AND SHALL BE PROTECTED FROM CONSTRUCTION ACTIVITIES.

FILE NAME: V:\Champaign County FP\20034 Kikapoo Rail Trail America\CAD\C20034 KikapooRailTrail-Gen Notes_Details.dwg



USER NAME =	akustus	DESIGNED -	A.Z.	REVISED -	---
PLOT SCALE =	=\$SCALE\$	DRAWN -	RT	REVISED -	---
PLOT DATE =	3/18/2021	CHECKED -	A.K.	REVISED -	---
		DATE -	MARCH 2021	REVISED -	---

STATE OF ILLINOIS
DEPARTMENT OF TRANSPORTATION

EROSION CONTROL DETAILS

SCALE: N.T.S. SHEET NO. 1 OF 1 SHEETS

F.A.P. RTE.	SECTION	COUNTY	TOTAL SHEETS	SHEET NO.
	08-F3000-04-BT	CHAMPAIGN	26	26
CONTRACT NO. 91605				
ILLINOIS FED. AID PROJECT				