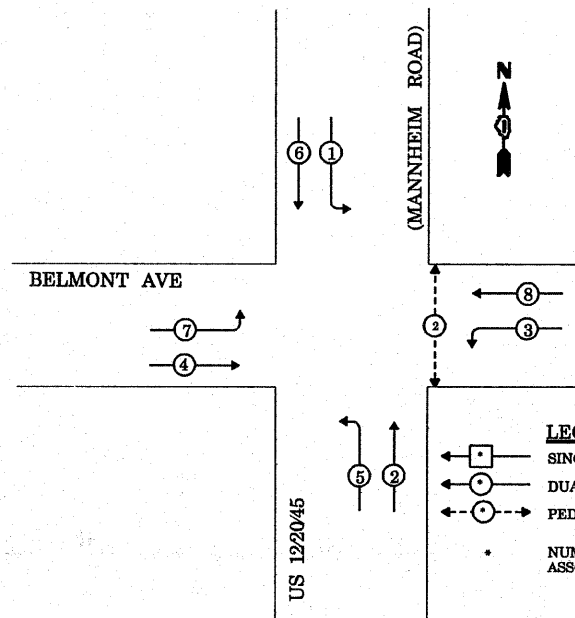


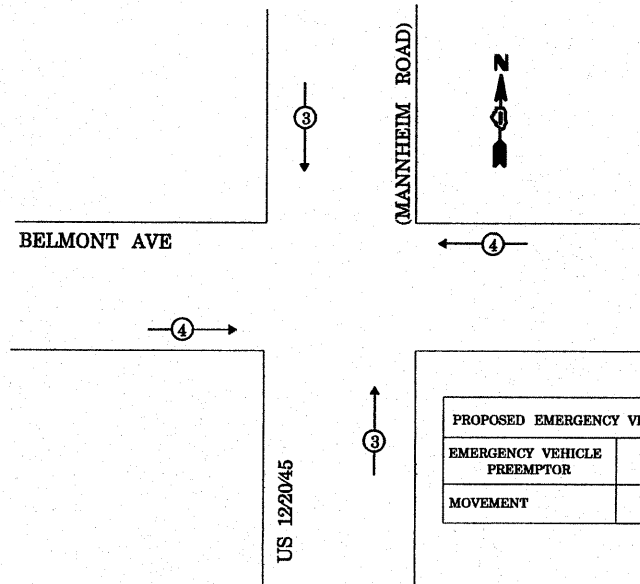
CONTROLLER SEQUENCE



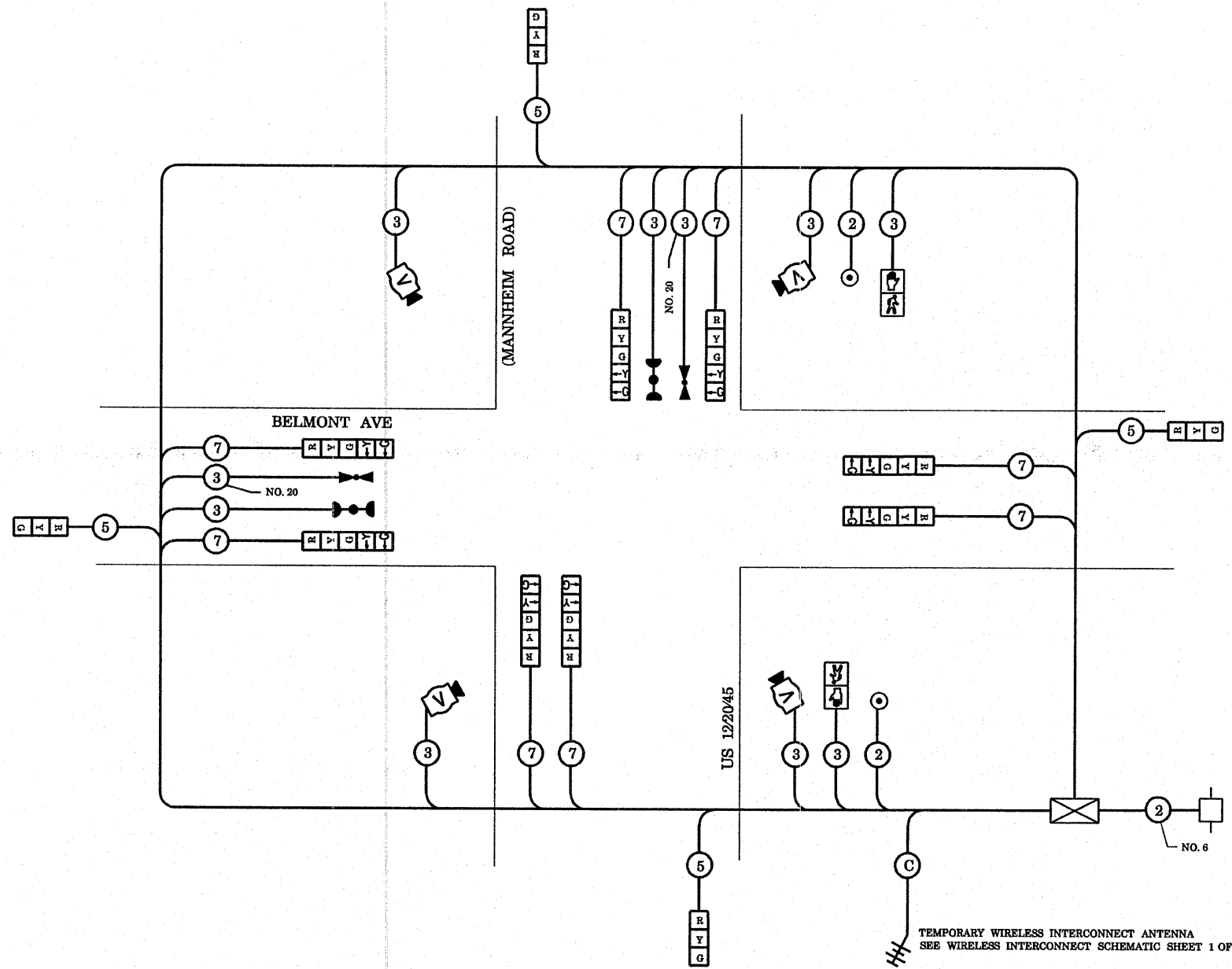
LEGEND
 SINGLE ENTRY PHASE
 DUAL ENTRY PHASE
 PEDESTRIAN PHASE
 NUMBER REFERS TO ASSOCIATED PHASE

TEMPORARY PHASE DESIGNATION DIAGRAM

TEMPORARY EMERGENCY VEHICLE PREEMPTION SEQUENCE



PROPOSED EMERGENCY VEHICLE PREEMPTORS		
EMERGENCY VEHICLE PREEMPTOR	3	4
MOVEMENT		



TEMPORARY CABLE PLAN

TEMPORARY CABLE DIAGRAM LEGEND

- TEMPORARY TRAFFIC SIGNAL SECTION OR PEDESTRIAN SIGNAL SECTION, 12" (300 mm)
- TEMPORARY CONTROLLER CABINET
- TEMPORARY SERVICE INSTALLATION
- INDICATES NUMBER OF CONDUCTORS IN CABLE. ALL CONDUCTORS TO BE NUMBERED 14 AWG WIRE UNLESS OTHERWISE NOTED.
- EMERGENCY VEHICLE LIGHT DETECTOR
- CONFIRMATION BEACON
- PEDESTRIAN PUSHBUTTON DETECTOR
- VEHICLE DETECTOR, INDUCTION LOOP
- 12" (300 mm) PEDESTRIAN SIGNAL SECTION
- MICROWAVE VEHICLE SENSOR
- VIDEO DETECTOR
- WIRELESS INTERCONNECT (ANTENNA)

* TEMPORARY WIRELESS INTERCONNECT IS INCLUDED IN TEMPORARY TRAFFIC SIGNAL INSTALLATION PAY ITEM

NOTE:
 THE TRAFFIC SIGNAL CONTROLLER EQUIPMENT FOR THIS PROJECT SHALL BE "ECONOLITE" TO MATCH THE EXISTING ADJACENT SYSTEM.

I.D.O.T. TRAFFIC SIGNAL INSTALLATION ELECTRICAL SERVICE REQUIREMENTS					TOTAL WATTAGE
TYPE	NO. LAMPS	WATTAGE		% OPERATION	
SIGNAL (RED)	12	INCAND.	LED	0.50	102.00
(YELLOW)	12			0.25	75.00
(GREEN)	12			0.25	45.00
ARROW	16			0.10	19.20
PED. SIGNAL	2			1.00	50.00
CONTROLLER	1			1.00	100.00
ILLUM. SIGN				0.05	-
FLASHER				0.05	-
ENERGY COSTS TO:				TOTAL =	391.20
VILLAGE OF FRANKLIN PARK 9500 BELMONT AVENUE FRANKLIN PARK, IL 60131					
ENERGY SUPPLY CONTACT:	LINDA KLOC				
PHONE:	(708)410-5313				
COMPANY:	COMMONWEALTH EDISON				

FILE NAME =	USER NAME = kenthphxjbc	DESIGNED - N.B.	REVISED -
PROJECTS\traffic\107027\us12_20_45.dgn		DRAWN - N.B.	REVISED -
		CHECKED - D.B.	REVISED -
		DATE - 09/04/2008	REVISED -

**STATE OF ILLINOIS
 DEPARTMENT OF TRANSPORTATION**

TEMPORARY CABLE PLAN
 US 12/20/45 (MANNHEIM ROAD) AT BELMONT AVENUE

F.A.P. RTE.	SECTION	COUNTY	TOTAL SHEETS	SHEET NO.
330	2008-006 TS	COOK	100	10
CONTRACT NO. 60E31				
FED. ROAD DIST. NO. [ILLINOIS] FED. AID PROJECT				