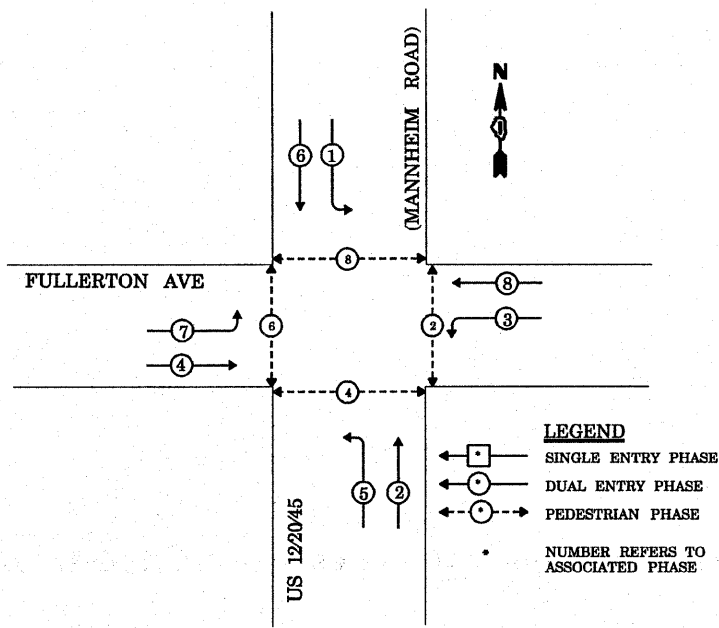
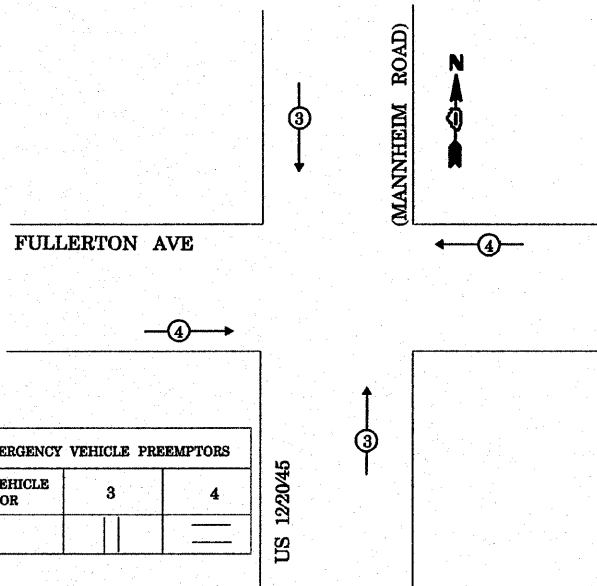


**CONTROLLER SEQUENCE**



**PHASE DESIGNATION DIAGRAM**

**EMERGENCY VEHICLE PREEMPTION SEQUENCE**



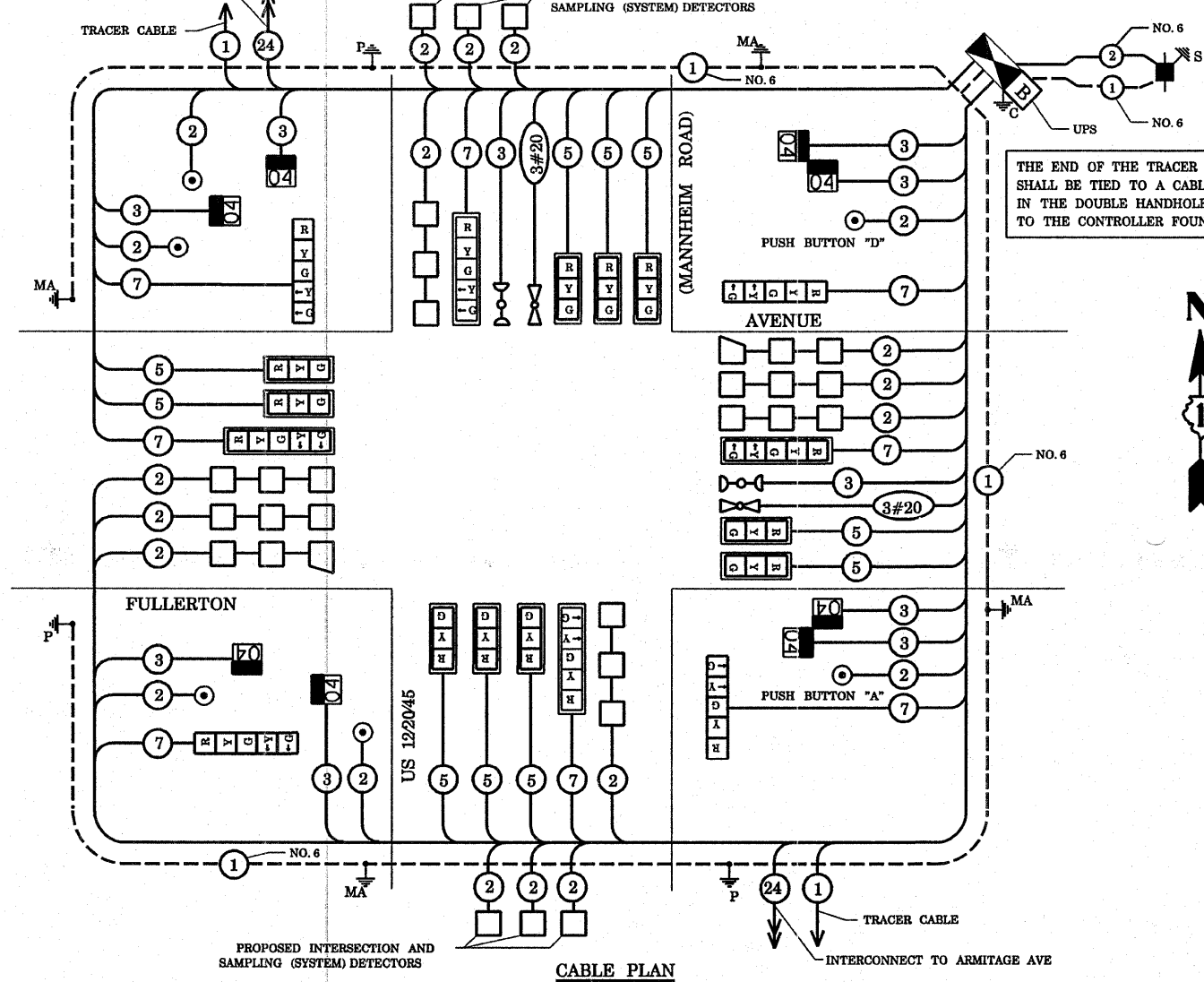
PROPOSED EMERGENCY VEHICLE PREEMPTORS		
EMERGENCY VEHICLE PREEMPTOR	3	4
MOVEMENT		

TYPE	NO. LAMPS	WATTAGE INCAND.	LED	% OPERATION	TOTAL WATTAGE
SIGNAL (RED)	18	17	0.50		153.00
(YELLOW)	18	25	0.25		112.50
(GREEN)	18	15	0.25		67.50
ARROW	16	12	0.10		19.20
PED. SIGNAL	8	25	1.00		200.00
CONTROLLER	1	100	1.00		100.00
ILLUM. SIGN			0.05		-
FLASHER					0.05
ENERGY COSTS TO: VILLAGE OF FRANKLIN PARK					TOTAL= 652.20

ENERGY SUPPLY CONTACT: LINDA KLOC  
 PHONE: (708)410-5313  
 COMPANY: COMMONWEALTH EDISON

INTERCONNECT TO WRIGHTWOOD AVE

PROPOSED INTERSECTION AND SAMPLING (SYSTEM) DETECTORS



**SCHEDULE OF QUANTITIES**

QUANTITY	UNIT	ITEM	QUANTITY	UNIT	ITEM
1151	SQ FT	PORTLAND CEMENT CONCRETE SIDEWALK, 5 INCH	277	FOOT	ELECTRIC CABLE IN CONDUIT, NO. 20 3C, TWISTED, SHIELDED
15	FOOT	COMBINATION CURB AND GUTTER REMOVAL	4	EACH	TRAFFIC SIGNAL POST, GALVANIZED STEEL 16 FT.
1151	SQ FT	SIDEWALK REMOVAL	2	EACH	STEEL MAST ARM ASSEMBLY AND POLE, 38 FT.
15	FOOT	COMBINATION CONCRETE CURB AND GUTTER, TYPE B-6-24	1	EACH	STEEL MAST ARM ASSEMBLY AND POLE, 42 FT.
0.1	L SUM	TRAFFIC CONTROL AND PROTECTION, STANDARD 701501	1	EACH	STEEL MAST ARM ASSEMBLY AND POLE, 44 FT.
0.1	L SUM	TRAFFIC CONTROL AND PROTECTION, STANDARD 701701	16	FOOT	CONCRETE FOUNDATION, TYPE A
0.1	L SUM	TRAFFIC CONTROL AND PROTECTION, STANDARD 701801	4	FOOT	CONCRETE FOUNDATION, TYPE C
18	SQ FT	SIGN PANEL - TYPE 1	30	FOOT	CONCRETE FOUNDATION, TYPE E 30" DIAMETER
30	SQ FT	SIGN PANEL - TYPE 2	30	FOOT	CONCRETE FOUNDATION, TYPE E 36" DIAMETER
648	FOOT	THERMOPLASTIC PAVEMENT MARKING - LINE 12"	14	EACH	TRAFFIC SIGNAL BACKPLATE, LOUVERED, ALUMINUM
165	FOOT	THERMOPLASTIC PAVEMENT MARKING - LINE 24"	14	EACH	INDUCTIVE LOOP DETECTOR
982	SQ FT	THERMOPLASTIC PAVEMENT MARKING REMOVAL	1079	FOOT	DETECTOR LOOP, TYPE 1
385	FOOT	CONDUIT IN TRENCH, 2" DIA., GALVANIZED STEEL	6	EACH	PEDESTRIAN PUSH-BUTTON
7	FOOT	CONDUIT IN TRENCH, 2" DIA., GALVANIZED STEEL	1	EACH	TEMPORARY TRAFFIC SIGNAL INSTALLATION
5	FOOT	CONDUIT IN TRENCH, 5" DIA., GALVANIZED STEEL	2*	EACH	RELOCATE EXISTING EMERGENCY VEHICLE PRIORITY SYSTEM, DETECTOR UNIT
292	FOOT	CONDUIT PUSHED, 2" DIA., GALVANIZED STEEL	1*	EACH	RELOCATE EXISTING EMERGENCY VEHICLE PRIORITY SYSTEM, PHASING UNIT
67	FOOT	CONDUIT PUSHED, 2" DIA., GALVANIZED STEEL	1	EACH	REMOVE EXISTING TRAFFIC SIGNAL EQUIPMENT
17	FOOT	CONDUIT PUSHED, 3" DIA., GALVANIZED STEEL	7	EACH	REMOVE EXISTING HANDHOLE
220	FOOT	CONDUIT PUSHED, 4" DIA., GALVANIZED STEEL	9	EACH	REMOVE EXISTING CONCRETE FOUNDATION
86	FOOT	CONDUIT PUSHED, 5" DIA., GALVANIZED STEEL	10	EACH	SIGNAL HEAD, L.E.D., 1-FACE, 3-SECTION, MAST ARM MOUNTED
4	EACH	HANDHOLE	4	EACH	SIGNAL HEAD, L.E.D., 1-FACE, 5-SECTION, BRACKET MOUNTED
4	EACH	HEAVY-DUTY HANDHOLE	4	EACH	SIGNAL HEAD, L.E.D., 1-FACE, 5-SECTION, MAST ARM MOUNTED
2	EACH	DOUBLE HANDHOLE	4	EACH	PEDESTRIAN SIGNAL HEAD, L.E.D., 1-FACE, BRACKET MOUNTED WITH COUNTDOWN TIMER
397	FOOT	TRENCH AND BACKFILL FOR ELECTRICAL WORK	2	EACH	PEDESTRIAN SIGNAL HEAD, L.E.D., 2-FACE, BRACKET MOUNTED WITH COUNTDOWN TIMER
1	EACH	FULL-ACTUATED CONTROLLER AND TYPE IV CABINET, SPECIAL	1	EACH	TEMPORARY TRAFFIC SIGNAL TIMINGS
1	EACH	TRANSCIVER - FIBER OPTIC	1	EACH	SERVICE INSTALLATION, POLE MOUNT
1014	FOOT	ELECTRIC CABLE IN CONDUIT, SIGNAL NO. 14 2C	1	EACH	UNINTERRUPTIBLE POWER SUPPLY
1260	FOOT	ELECTRIC CABLE IN CONDUIT, SIGNAL NO. 14 3C			
1871	FOOT	ELECTRIC CABLE IN CONDUIT, SIGNAL NO. 14 5C			
1471	FOOT	ELECTRIC CABLE IN CONDUIT, SIGNAL NO. 14 7C			
3438	FOOT	ELECTRIC CABLE IN CONDUIT, LEAD-IN, NO. 14 1-PAIR			
162	FOOT	ELECTRIC CABLE IN CONDUIT, SERVICE, NO. 6 2C			
447	FOOT	ELECTRIC CABLE IN CONDUIT, GROUNDING, NO. 6 1C			

NOTE:  
 PUSHBUTTON "A" SHALL PLACE A CALL IN PHASES 2 AND 4  
 PUSHBUTTON "D" SHALL PLACE A CALL IN PHASES 2 AND 8

**CABLE PLAN LEGEND**

PROPOSED	EXISTING	DESCRIPTION
⊗	⊗	8" (200mm) TRAFFIC SIGNAL SECTION
⊗	⊗	12" (300mm) TRAFFIC SIGNAL SECTION
⊗	⊗	12" (300mm) PEDESTRIAN SIGNAL SECTION
⊗	⊗	12" (300mm) PEDESTRIAN SIGNAL SECTION
⊗	⊗	CONTROLLER CABINET
⊗	⊗	SERVICE INSTALLATION
⊗	⊗	TELEPHONE CONNECTION
⊗	⊗	MAGNETIC DETECTOR
⊗	⊗	PUSHBUTTON DETECTOR
⊗	⊗	VEHICLE DETECTOR, INDUCTION LOOP
⊗	⊗	DENOTES NUMBER OF CONDUCTORS. ALL CABLE NO. 14 EXCEPT AS INDICATED. ALL LOOP DETECTOR CABLE TO BE SHIELDED.
⊗	⊗	SIGNAL FACE WITH BACKPLATE. "P" INDICATES PROGRAMMED HEAD
⊗	⊗	RAILROAD CONTROL CABINET
⊗	⊗	ILLUMINATED SIGN, FIBER OPTIC "NO LEFT TURN"
⊗	⊗	ILLUMINATED SIGN, FIBER OPTIC "NO RIGHT TURN"
⊗	⊗	GROUND ROD AT HANDHOLE, DOUBLE HANDHOLE, OR CONTROLLER
⊗	⊗	GROUND ROD AT POST OR MAST ARM POLE
⊗	⊗	GROUND ROD AT ELECTRIC SERVICE INSTALLATION
⊗	⊗	GROUND CABLE IN CONDUIT NO. 6 SOLID COPPER (GREEN)
⊗	⊗	FIBER OPTIC CABLE IN CONDUIT NO. 62.5/125 2-MM12F & SM12F
⊗	⊗	MICROWAVE VEHICLE SENSOR
⊗	⊗	VIDEO DETECTOR
⊗	⊗	CLOSED CIRCUIT TV
⊗	⊗	EMERGENCY VEHICLE LIGHT DETECTOR
⊗	⊗	CONFIRMATION BEACON
⊗	⊗	UNINTERRUPTIBLE POWER SUPPLY
⊗	⊗	PEDESTRIAN SIGNAL HEAD WITH COUNTDOWN TIMER

NOTE:  
 THE TRAFFIC SIGNAL CONTROLLER EQUIPMENT FOR THIS PROJECT SHALL BE "ECONOLITE" TO MATCH THE EXISTING ADJACENT SYSTEM.

\* 100% COST TO VILLAGE OF FRANKLIN PARK