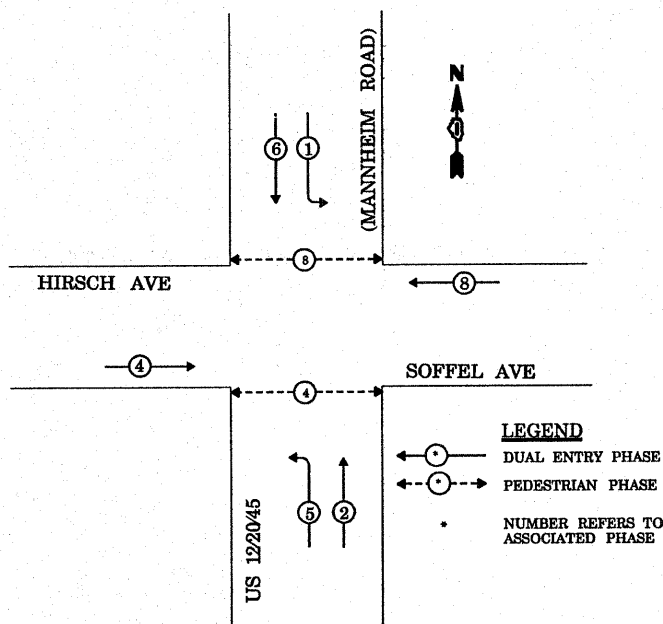




CONTROLLER SEQUENCE

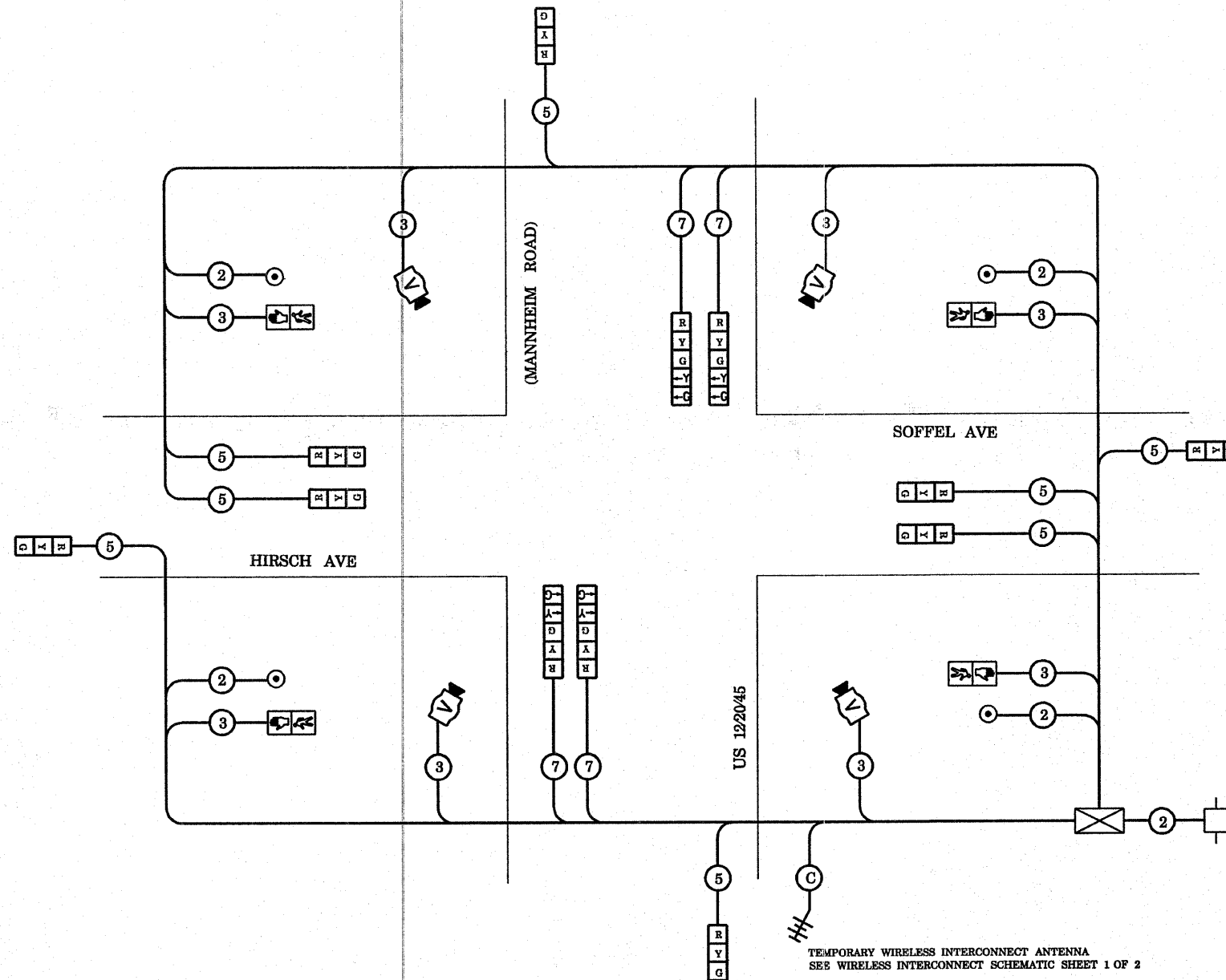


LEGEND
 ○ DUAL ENTRY PHASE
 ○ PEDESTRIAN PHASE
 * NUMBER REFERS TO ASSOCIATED PHASE

TEMPORARY PHASE DESIGNATION DIAGRAM

TEMPORARY CABLE DIAGRAM LEGEND

- TEMPORARY TRAFFIC SIGNAL SECTION OR PEDESTRIAN SIGNAL SECTION, 12" (300 mm)
- TEMPORARY CONTROLLER CABINET
- TEMPORARY SERVICE INSTALLATION
- INDICATES NUMBER OF CONDUCTORS IN CABLE. ALL CONDUCTORS TO BE NUMBERED 14 AWG WIRE UNLESS OTHERWISE NOTED.
- EMERGENCY VEHICLE LIGHT DETECTOR
- CONFIRMATION BEACON
- PEDESTRIAN PUSHBUTTON DETECTOR
- VEHICLE DETECTOR, INDUCTION LOOP
- 12" (300 mm) PEDESTRIAN SIGNAL SECTION
- MICROWAVE VEHICLE SENSOR
- VIDEO DETECTOR
- WIRELESS INTERCONNECT (ANTENNA)



TEMPORARY CABLE PLAN

* TEMPORARY WIRELESS INTERCONNECT IS INCLUDED IN TEMPORARY TRAFFIC SIGNAL INSTALLATION PAY ITEM

TEMPORARY WIRELESS INTERCONNECT ANTENNA
 SEE WIRELESS INTERCONNECT SCHEMATIC SHEET 1 OF 2

NOTE:
 THE TRAFFIC SIGNAL CONTROLLER EQUIPMENT FOR THIS PROJECT SHALL BE "ECONOLITE" TO MATCH THE EXISTING ADJACENT SYSTEM.

TYPE	NO. LAMPS	WATTAGE		% OPERATION	TOTAL WATTAGE
		INCAND.	LED		
SIGNAL (RED)	12		17	0.50	102.00
(YELLOW)	12		25	0.25	75.00
(GREEN)	12		15	0.25	45.00
ARROW	8		12	0.10	9.60
PED SIGNAL	4		25	1.00	100.00
CONTROLLER	1		100	1.00	100.00
ILLUM. SIGN				0.05	-
FLASHER				0.05	-
ENERGY COSTS TO: VILLAGE OF MELROSE PARK					TOTAL = 431.60
ENERGY SUPPLY CONTACT: MR. MIKE BELL					
PHONE: (708)410-5314					
COMPANY: COMMONWEALTH EDISON					

FILE NAME =	USER NAME = kanthaphixybc	DESIGNED - N.B.	REVISED -	STATE OF ILLINOIS DEPARTMENT OF TRANSPORTATION	TEMPORARY CABLE PLAN US 12/2045 (MANNHEIM RD) AT HIRSCH(SOFFEL) AVE	F.A.P. RTE. 330	SECTION 2008-006 TS	COUNTY COOK	TOTAL SHEETS 104	SHEET NO. 45		
PROJECT: c:\projects\traffic\070027\us12_20_45.dgn	PLD: SCALE = 40,0000' / IN.	CHECKED - D.B.	REVISED -			SCALE: NTS	SHEET NO. OF SHEETS	STA. TO STA.	CONTRACT NO. 60E31			
PLOT DATE = 10/10/2008	DATE = 09/04/2008	REVISED -	REVISED -			FED. ROAD DIST. NO. ILLINOIS FED. AID PROJECT						