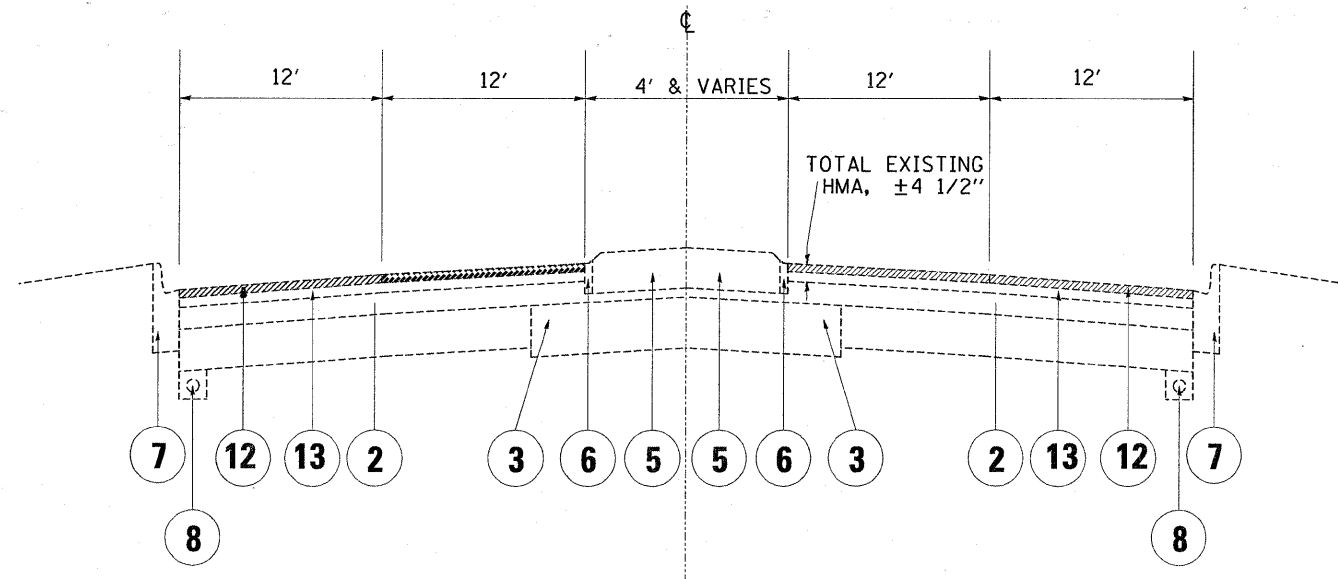
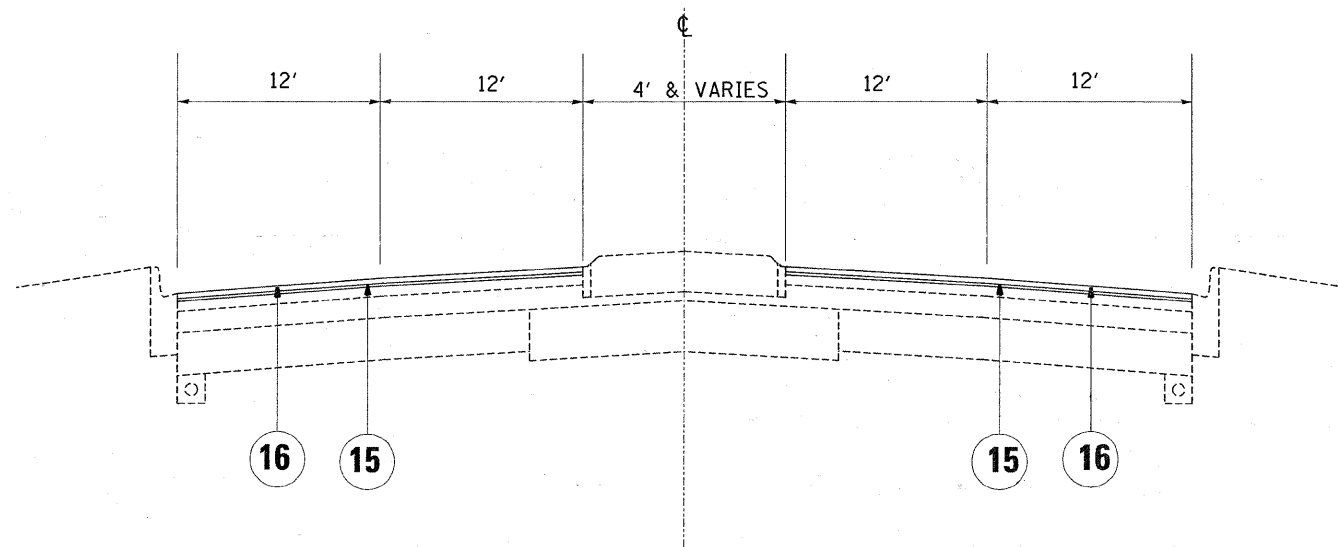


ILL. RTE 83



EXIST. TYPICAL SECTION
(EXIST. HMA PORTION OF ROADWAY)

STA. 44+52 TO STA. 53+00



PROP. TYPICAL SECTION
(EXIST. HMA PORTION OF ROADWAY)

STA. 44+52 TO STA. 53+00

LEGEND

- ① EXISTING P.C.C. PAVEMENT, ±10"
- ② EXISTING HMA BASE COURSE, ±12"
- ③ EXISTING HMA BASE COURSE, VARIABLE DEPTH
- ④ EXISTING MOUNTABLE CORRUGATED MEDIAN
- ⑤ EXISTING CONCRETE MEDIAN, TYPE M-2 (TO REMAIN IN PLACE)
- ⑥ EXISTING COMBINATION CONCRETE CURB & GUTTER, TY. M-2.12 (TO REMAIN IN PLACE)
- ⑦ EXISTING COMBINATION CONCRETE CURB & GUTTER, TY. B-6.24
- ⑧ EXISTING 6" PIPE UNDERDRAIN
- ⑨ ** P.C.C. MEDIAN SURFACE REMOVAL, ±2" (TO MATCH ADJACENT SURFACE)
- ⑩ P.C.C. MEDIAN SURFACE REMOVAL, ±4 1/4" (TO MATCH ADJACENT MILLED SURFACE)
- ⑪ P.C.C. VARIABLE SURFACE REMOVAL (TYP.)
- ⑫ PROP. HMA SURFACE REMOVAL, 2 1/4"
- ⑬ EXISTING HMA AFTER MILLING, 2 1/4"
- ⑭ PROP. POLY. LEVELING BINDER (MM), IL-4.75, N50, 1"
- ⑮ PROP. POLY. LEVELING BINDER (MM), IL-4.75, N50, 3/4"
- ⑯ PROP. HMA SURFACE COURSE, MIX D, N70, 1 1/2"
- ** STA. 08+21 TO 08+89 MEDIAN TO REMAIN IN PLACE

NOTE:

WHERE EXISTING HMA SURFACE EXISTS,
THE CONTRACTOR SHALL MILL FIRST BEFORE PATCHING

FILE NAME =	USER NAME = parayndal	DESIGNED - Designed By	REVISED - Revised By1	STATE OF ILLINOIS DEPARTMENT OF TRANSPORTATION	TYPICAL SECTIONS IL ROUTE 83 (N. OF BUFFALO GROVE RD. - S. OF LAKE-COOK RD.)			F.A.P. RTE.	SECTION	COUNTY	TOTAL SHEETS	SHEET NO.
c:\pwork\pwork\PWIDOT\PARAYNDAL\j0120980\st-p1on.dgn		DRAWN - Drawn By	REVISED - Revised By2		344	44RS-1	LAKE	25	6			
PLOT SCALE = 50.0000' / IN.		CHECKED - Checked By	REVISED - Revised By3		SCALE: Scale			SHEET NO. OF SHEETS		STA. TO STA.		
PLOT DATE = 5/20/2009		DATE - Checked Date	REVISED - Revised By4		FED. ROAD DIST. NO.			ILLINOIS		FED. AID PROJECT		
				CONTRACT NO. 60F42								