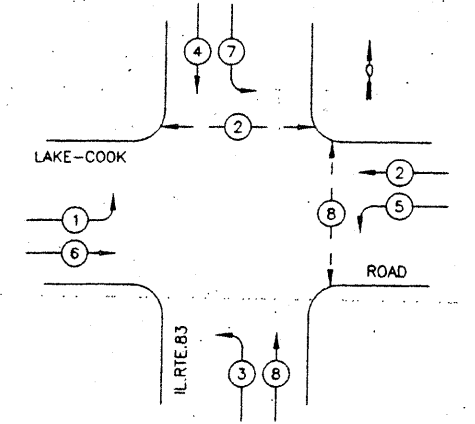


SECTION	COUNTY	TOTAL SHEETS	SHEET NO.
344 44RS-1	LAKE	25	12
STA. TO STA.			
FED. ROAD DIST. NO. 7 ILLINOIS		FED. AID PROJECT	

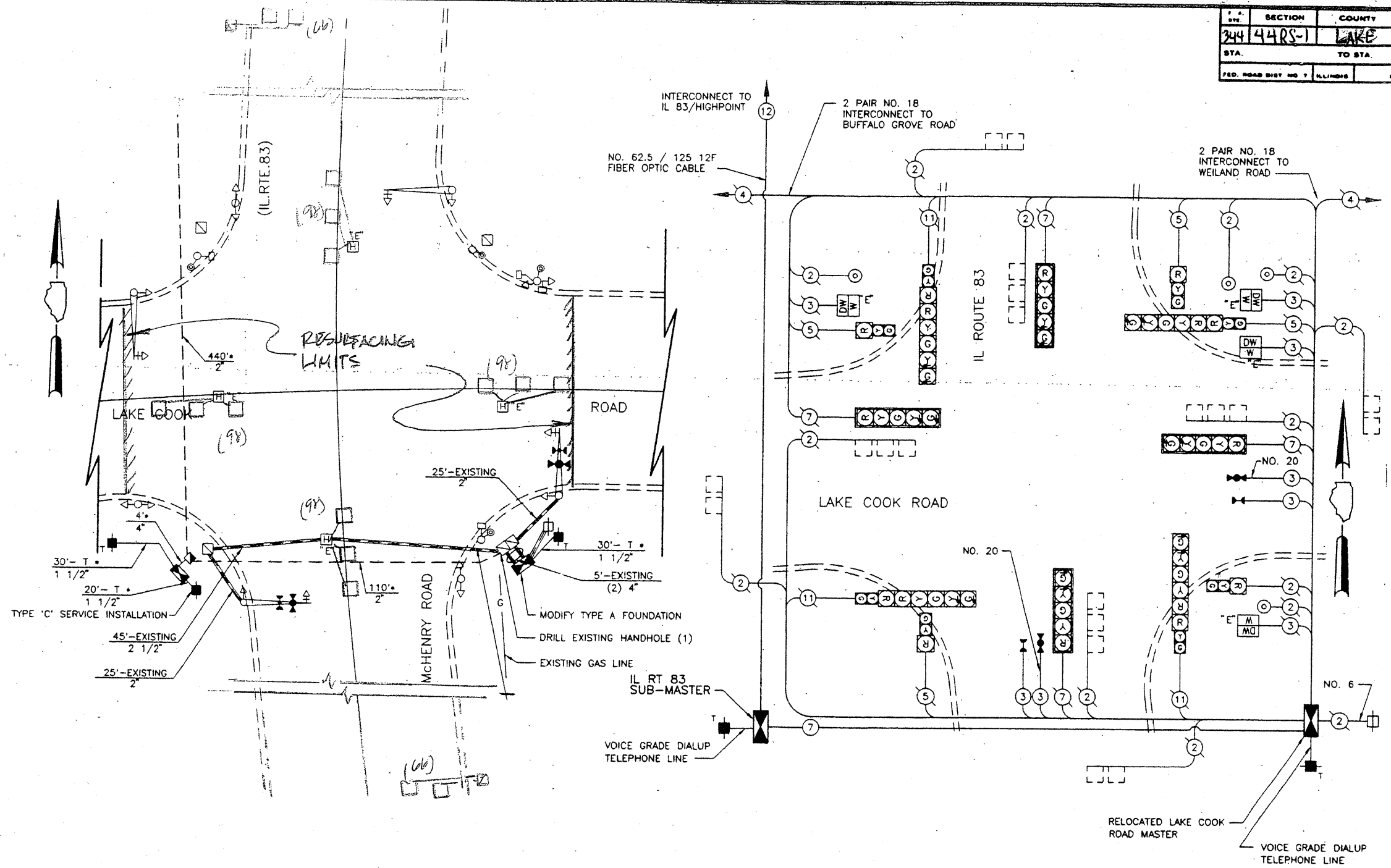
CONTROLLER SEQUENCE IV

REFERRING TO STANDARD 2393, THE VEHICULAR AND PEDESTRIAN PHASES USED ARE DESIGNATED BELOW.



LEGEND

- ⊙ → DUAL ENTRY PHASE
 - ⊙ → PEDESTRIAN MOVEMENT
 - NUMBER REFERS TO ASSOCIATED PHASE
- EXISTING PHASE DESIGNATION DIAGRAM**
- DUAL ENTRY - ALL LEGS
 - PROTECTED/PERMITTED LEFT TURN PHASING



NOTE:
 THIS PLAN IS FOR THE PURPOSE OF REPLACING THE DETECTOR LOOPS ONLY. ALL OTHER INFORMATION SHOWN IS NOT RELATED AND WILL BE DISREGARDED.

REPLACE ALL DETECTOR LOOPS AS SHOWN
 (WITHIN THE RESURFACING LIMITS)

CODE NO.	QUANTITY	UNIT	ITEM
82500600	524	Foot	Detector Loop Replacement

REVISIONS	
NAME	DATE

ILLINOIS DEPARTMENT OF TRANSPORTATION
DETECTOR LOOP REPLACEMENT
 ILL. ROUTE 83 @ LAKE-COOK ROAD
 SCALE: NONE
 DATE: MAR. 2009
 DRAWN BY: JHE
 DESIGNED BY: JHE
 CHECKED BY: DAD