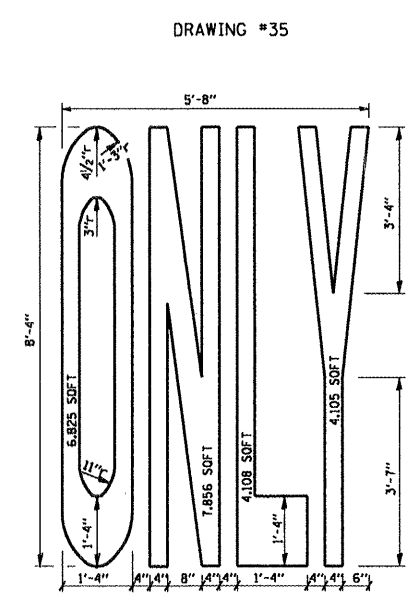
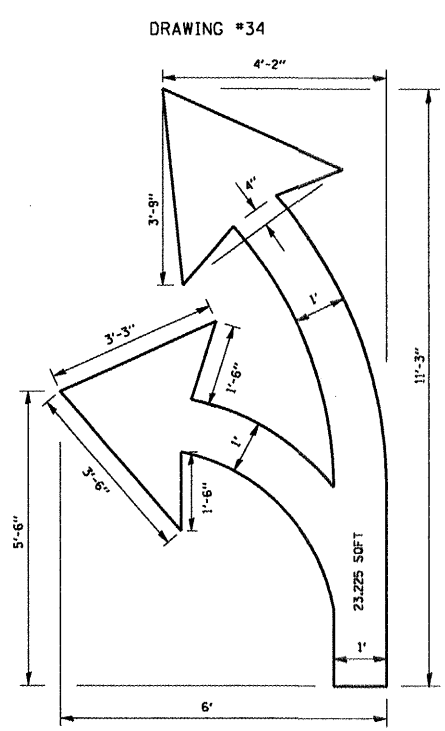
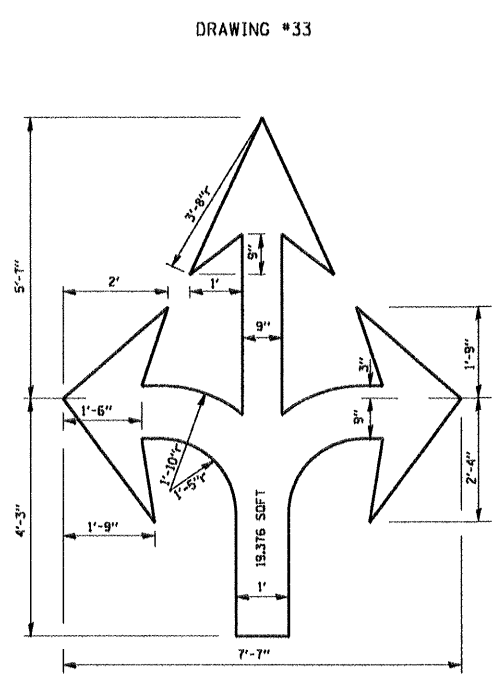
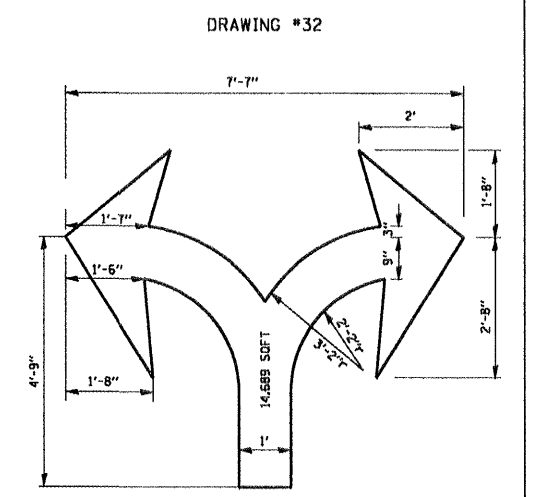
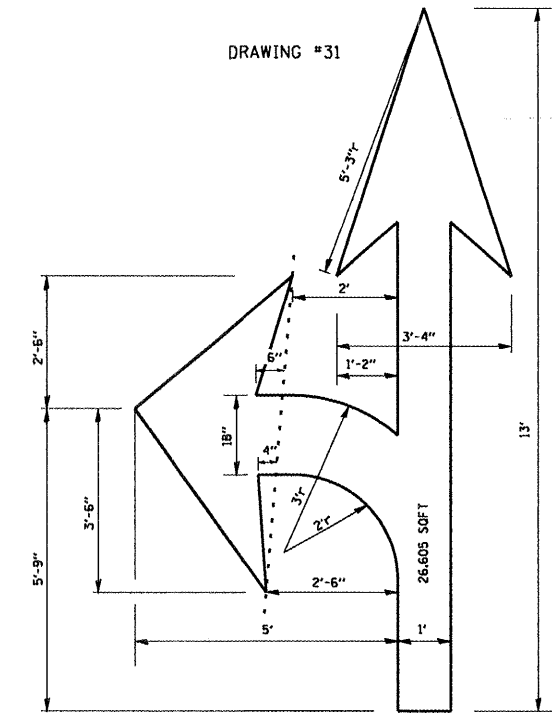
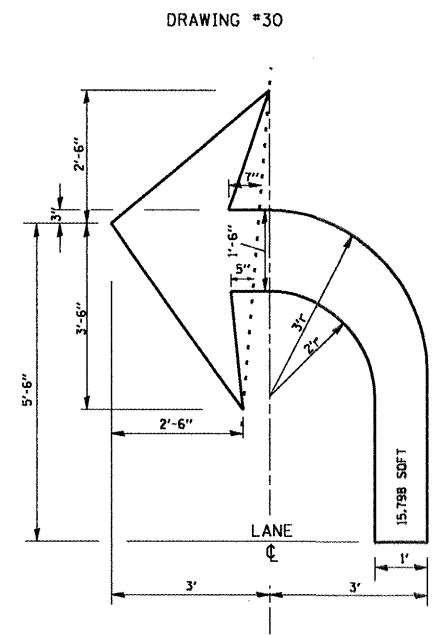
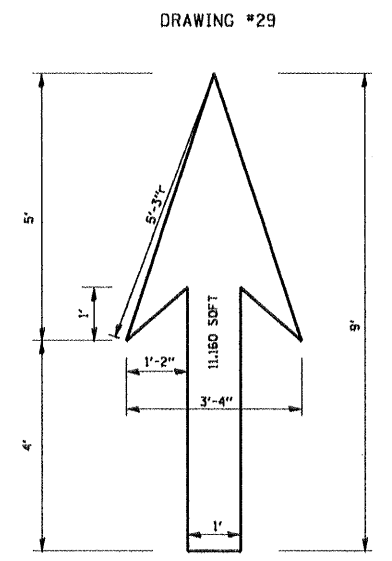


ALL ROUNDS 1" UNLESS OTHERWISE NOTED.

NOTE:
 1.) FOR BIKE LANE SYMBOLS ONLY, USE PRE-FORMED THERMOPLASTIC WITH A MINIMUM THICKNESS OF 90 MILS, MINIMUM SKID RESISTANCE VALUE OF 60 BPN, & A MINIMUM INDEX OF REFRACTION OF 1.50.
 2.) THE RESIDENT ENGINEER SHALL CONTACT MR. BEN COMBERG AT 312-744-8093 AT LEAST ONE CALENDAR WEEK PRIOR TO INSTALLING BIKE LANE SYMBOLS.

TYPICAL BIKE LANE SYMBOLS
 DRAWING #28



NOTE:
 ALL MARKINGS SHALL BE SOLID WHITE UNLESS OTHERWISE NOTED IN THE PLANS

FILE NAME =	USER NAME = wilgreendp	DESIGNED -	REVISED - T. RAMMACHER 12-07-00	STATE OF ILLINOIS DEPARTMENT OF TRANSPORTATION	CITY OF CHICAGO TYPICAL PAVEMENT MARKINGS	F.A. RTE. =	SECTION	COUNTY	TOTAL SHEETS	SHEET NO.
at:\pwwork\PW\DOT\WILGREENDP\0125109\DWG	PLDT SCALE = 100.0000' / IN.	DRAWN -	REVISED -			VAR. 2009-032 AP	18	16		
PLDT DATE = 3/30/2009	DATE -	CHECKED -	REVISED -			TC-24	CONTRACT NO. 60630			
						FED. ROAD DIST. NO. 1 (ILLINOIS) FED. AID PROJECT				
				SCALE: NONE	SHEET NO. 2 OF 2 SHEETS	STA.	TO STA.			