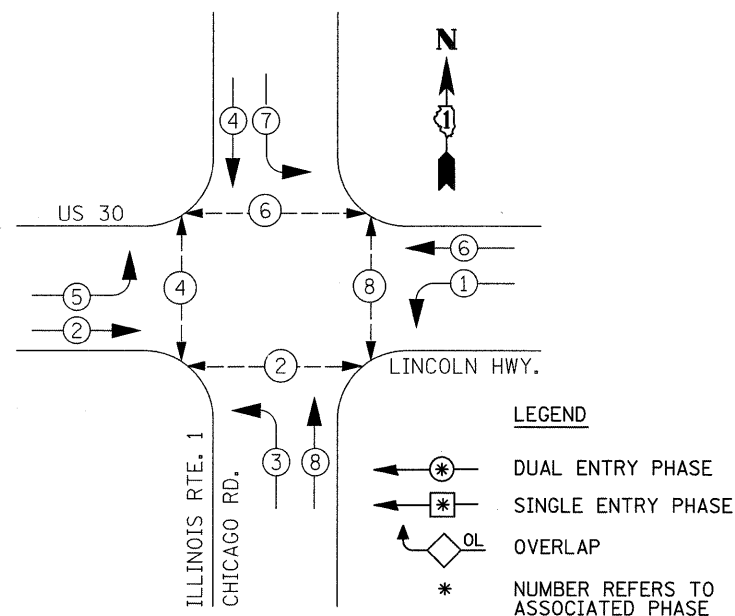
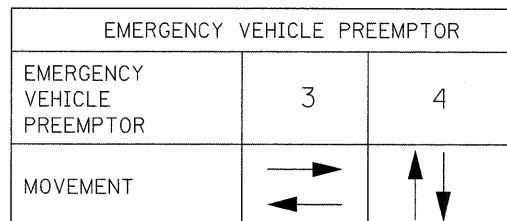
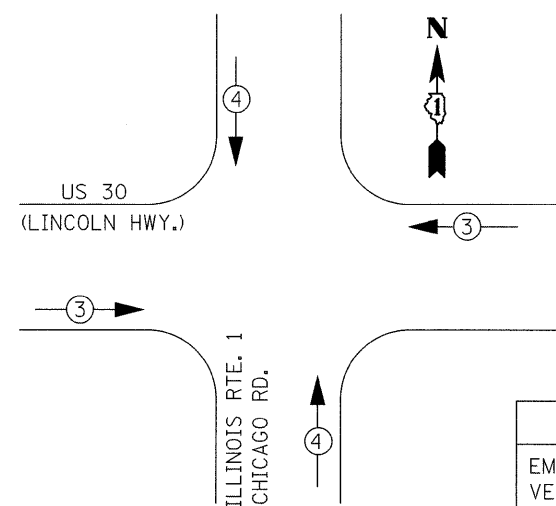


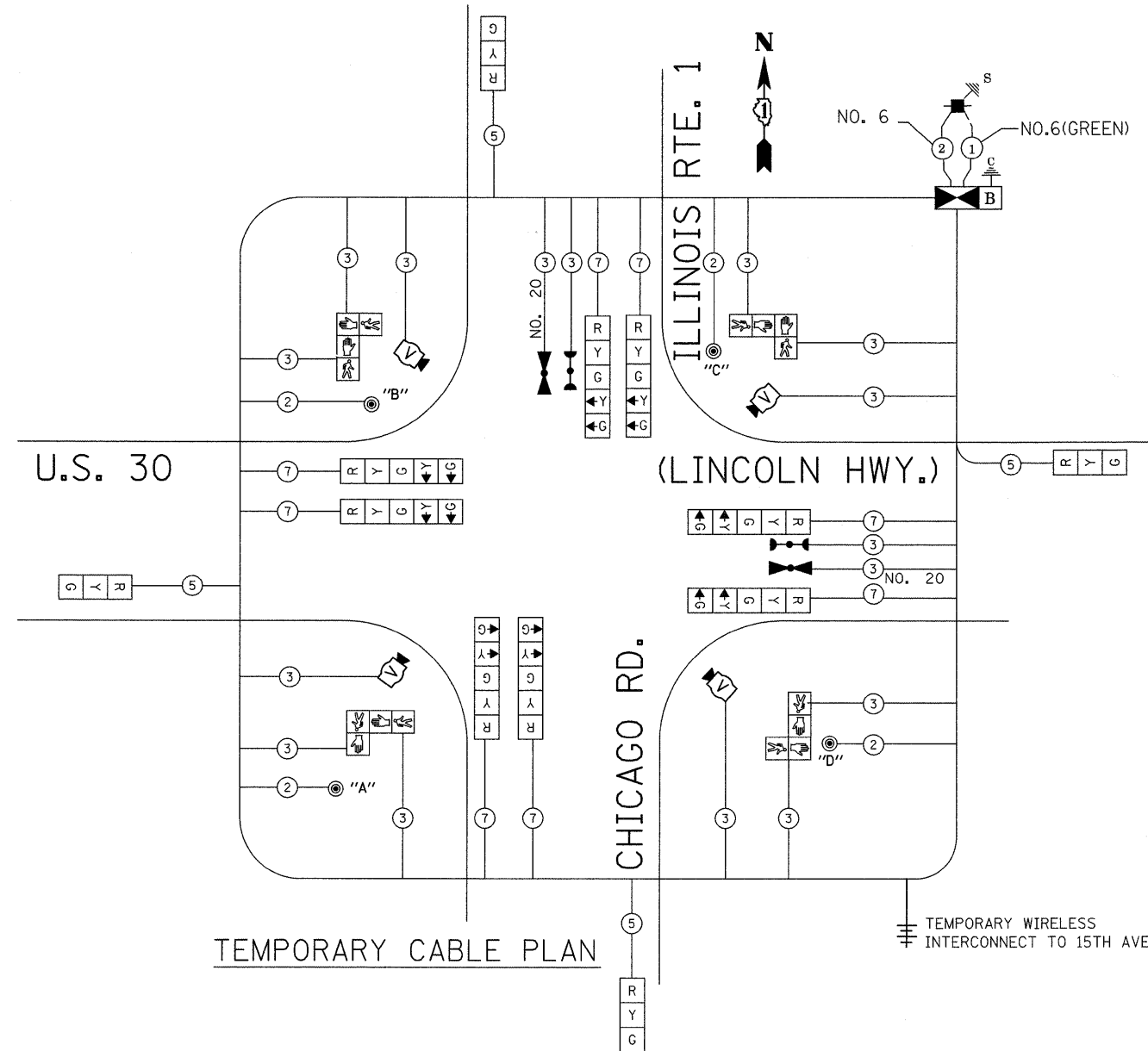
CONTROLLER SEQUENCE



PHASE DESIGNATION DIAGRAM
EMERGENCY VEHICLE PREEMPTION SEQUENCE



TEMPORARY CABLE PLAN



TEMPORARY CABLE DIAGRAM LEGEND

	PROPOSED	EXISTING
TEMPORARY CONTROLLER CABINET		
TEMPORARY SERVICE INSTALLATION, (P) POLE OR (G) GROUND MOUNT		
TEMPORARY TRAFFIC SIGNAL SECTION OR PEDESTRIAN SIGNAL SECTION, 12" (300 mm)		
12" (300 MM) PEDESTRIAN SIGNAL SECTION		
ELECTRIC CABLE IN CONDUIT, NO. 14, UNLESS OTHERWISE NOTED. NUMBER OF CONDUCTORS AS NOTED		
PEDESTRIAN PUSHBUTTON DETECTOR		
VEHICLE DETECTOR, INDUCTION LOOP		
MICROWAVE VEHICLE SENSOR		
VIDEO DETECTOR		
CLOSED CIRCUIT TV		
EMERGENCY VEHICLE SYSTEM DETECTOR		
CONFIRMATION BEACON		
WIRELESS INTERCONNECT (ANTENNA)		
UNINTERRUPTIBLE POWER SUPPLY		

I.D.O.T. TRAFFIC SIGNAL INSTALLATION ELECTRICAL SERVICE REQUIREMENTS

TYPE	NO. LAMPS	WATTAGE INCAND.	WATTAGE LED	% OPERATION	TOTAL WATTAGE
SIGNAL (RED)	12		17	0.50	102.00
(YELLOW)	12		25	0.25	75.00
(GREEN)	12		15	0.25	45.00
ARROW	16		12	0.10	19.20
PED. SIGNAL	8		25	1.00	200.00
CONTROLLER	1		100	1.00	100.00
ILLUM. SIGN				0.05	

FOUNDATION (DEPTH)	FT. (m)	CABLE SLACK	FT. (m)	VERTICAL	FT. (m)
TYPE A - POST	4 (1.2)	HANDHOLE	6.5 (2.0)	ALL FOUNDATIONS	3.5 (1.0)
D - CONTROLLER	4 (1.2)	DOUBLE HANDHOLE	13 (4.0)	MAST ARM (L) POLE	20'-H-2"=
E - M. ARM POLE		SIGNAL POST	2 (1.0)	(6m-HL-0.6m)=	
24" (600mm)	10 (3.0)	CONTROLLER CAB.	1 (0.5)	BRACKET MOUNTED	13 (4.0)
30" (750mm)	15 (4.6)	FIBER OPTIC	13 (4.0)	PED. PUSHBUTTON	4 (1.2)
36" (900mm)	15 (4.6)	ELECTRIC SERVICE	1 (0.5)	ELECTRIC SERVICE	13.5 (4.1)
		GROUND CABLE	1 (0.5)	SERVICE TO GROUND	13.5 (4.1)
				POST MOUNTED	6 (1.8)

ENERGY COSTS TO: **TOTAL = 541.20**
ILLINOIS DEPARTMENT OF TRANSPORTATION

ENERGY SUPPLY CONTACT: 708-410-5069
PHONE: COM. EDISON
COMPANY:

FILE NAME = USER NAME = ngyjensm
DESIGNED - STEVEN N./JOE E./BRENDA K. REVISIED -
DRAWN - STEVEN N./BRENDA K. REVISIED -
CHECKED - JOE E. REVISIED -
PLOT SCALE = 20,0000 "/ IN.
DATE - 3/15/09 REVISIED -
PLOT DATE = 3/19/2009

STATE OF ILLINOIS
DEPARTMENT OF TRANSPORTATION

TEMPORARY CABLE PLAN
U.S. 30 (LINCOLN HWY.) @ ILLINOIS RTE. 1 (CHICAGO RD.)

F.A.P. RTE.	SECTION	COUNTY	TOTAL SHEETS	SHEET NO.
353/876	2009-033 TS	COOK	49	33

CONTRACT NO. 60640

FED. ROAD DIST. NO. ILLINOIS FED. AID PROJECT

SCALE: SHEET NO. OF SHEETS STA. TO STA.