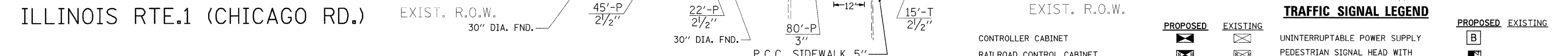
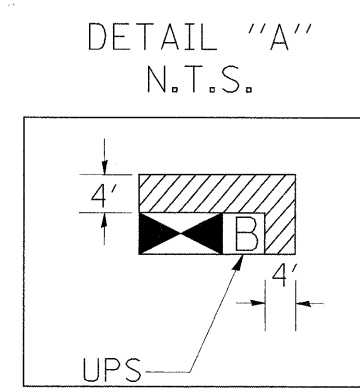
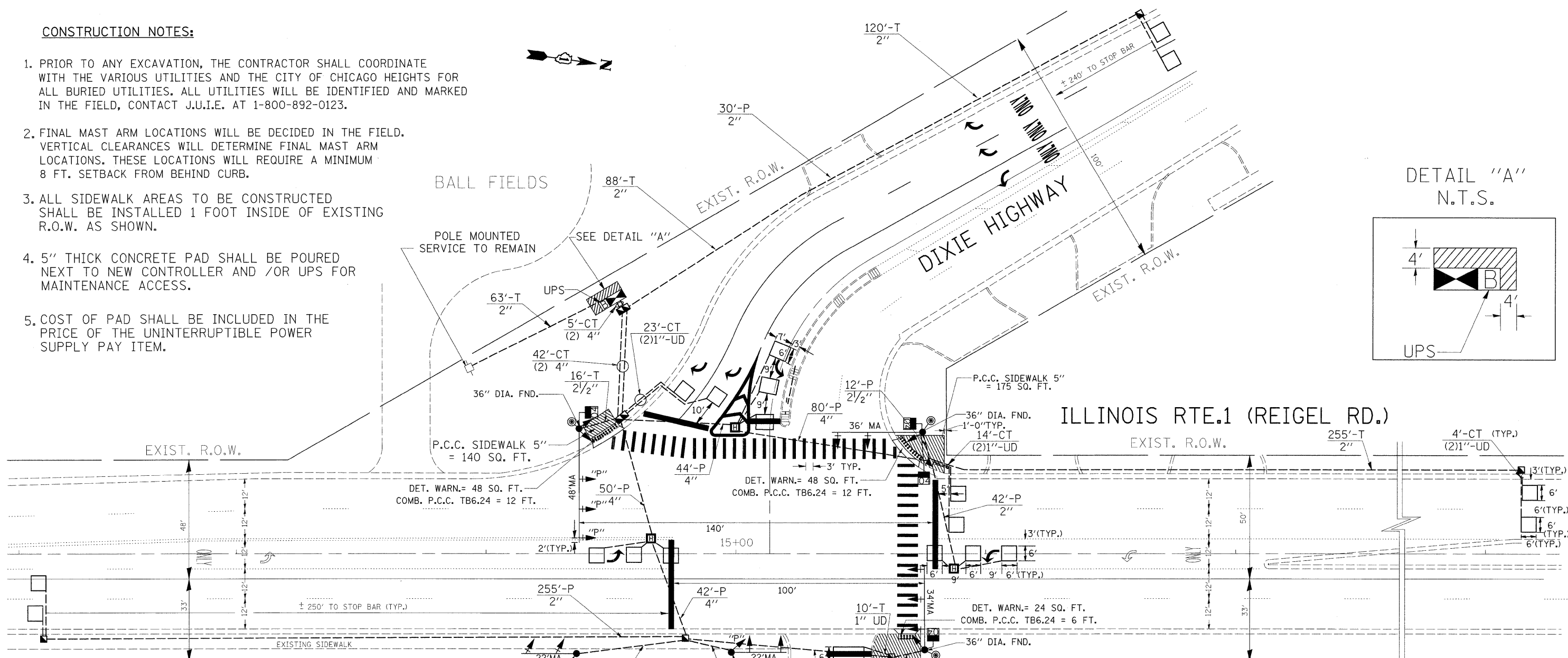


CONSTRUCTION NOTES:

1. PRIOR TO ANY EXCAVATION, THE CONTRACTOR SHALL COORDINATE WITH THE VARIOUS UTILITIES AND THE CITY OF CHICAGO HEIGHTS FOR ALL BURIED UTILITIES. ALL UTILITIES WILL BE IDENTIFIED AND MARKED IN THE FIELD, CONTACT J.U.I.E. AT 1-800-892-0123.
2. FINAL MAST ARM LOCATIONS WILL BE DECIDED IN THE FIELD. VERTICAL CLEARANCES WILL DETERMINE FINAL MAST ARM LOCATIONS. THESE LOCATIONS WILL REQUIRE A MINIMUM 8 FT. SETBACK FROM BEHIND CURB.
3. ALL SIDEWALK AREAS TO BE CONSTRUCTED SHALL BE INSTALLED 1 FOOT INSIDE OF EXISTING R.O.W. AS SHOWN.
4. 5" THICK CONCRETE PAD SHALL BE POURED NEXT TO NEW CONTROLLER AND /OR UPS FOR MAINTENANCE ACCESS.
5. COST OF PAD SHALL BE INCLUDED IN THE PRICE OF THE UNINTERRUPTIBLE POWER SUPPLY PAY ITEM.



RESTORATION OF WORK AREA. RESTORATION OF THE TRAFFIC SIGNAL WORK AREA SHALL BE INCIDENTAL TO THE RELATED PAY ITEM SUCH AS FOUNDATION, CONDUIT, HANDHOLE, TRENCH AND BACKFILL, ETC., AND NO EXTRA COMPENSATION SHALL BE ALLOWED. ALL ROADWAY SURFACES SUCH AS SHOULDERS, MEDIAN, SIDEWALKS, PAVEMENT, ETC. SHALL BE REPLACED IN KIND. ALL DAMAGE TO MOWED LAWNS SHALL BE REPLACED WITH AN APPROVED SOD, AND ALL DAMAGE TO UNMOWED FIELDS SHALL BE SEEDED IN ACCORDANCE WITH STANDARD SPECIFICATIONS 252 AND 250 RESPECTIVELY.

NOTE: THE TRAFFIC SIGNAL CONTROLLER EQUIPMENT FOR THIS PROJECT SHALL BE "EAGLE" TO MATCH THE EXISTING ADJACENT SYSTEM.

FILE NAME =	USER NAME = nguyenism	DESIGNED - STEVEN N./JOE E./BRENDA K.	REVISED -	STATE OF ILLINOIS DEPARTMENT OF TRANSPORTATION	TRAFFIC SIGNAL INSTALLATION PLAN ILLINOIS RTE. 1 (CHICAGO RD.) @ DIXIE HIGHWAY	F.A.P. RTE.	SECTION	COUNTY	TOTAL SHEETS	SHEET NO.
or:\pwwork\pwwork\nguyenism\0117709\Rob-TS.dgn		DRAWN - STEVEN N./BRENDA K.	REVISED -			353/876	2009-033 TS	COOK	49	43
PLOT SCALE = 20,0000' / IN.		CHECKED - JOE E.	REVISED -			CONTRACT NO. 60540		FED. ROAD DIST. NO. ILLINOIS FED. AID PROJECT		
PLOT DATE = 3/19/2009		DATE - 3/15/09	REVISED -			SCALE:	SHEET NO. OF SHEETS STA. TO STA.			