

THE FOLLOWING ITEMS SHALL BE REMOVED BY THE CONTRACTOR AND SHALL BE DISPOSED OF BY THEM OUTSIDE THE RIGHT-OF-WAY AT THEIR EXPENSE. THE SALVAGE VALUE OF THE REMOVED EQUIPMENT SHALL BE REFLECTED IN THE CONTRACT BID PRICE.

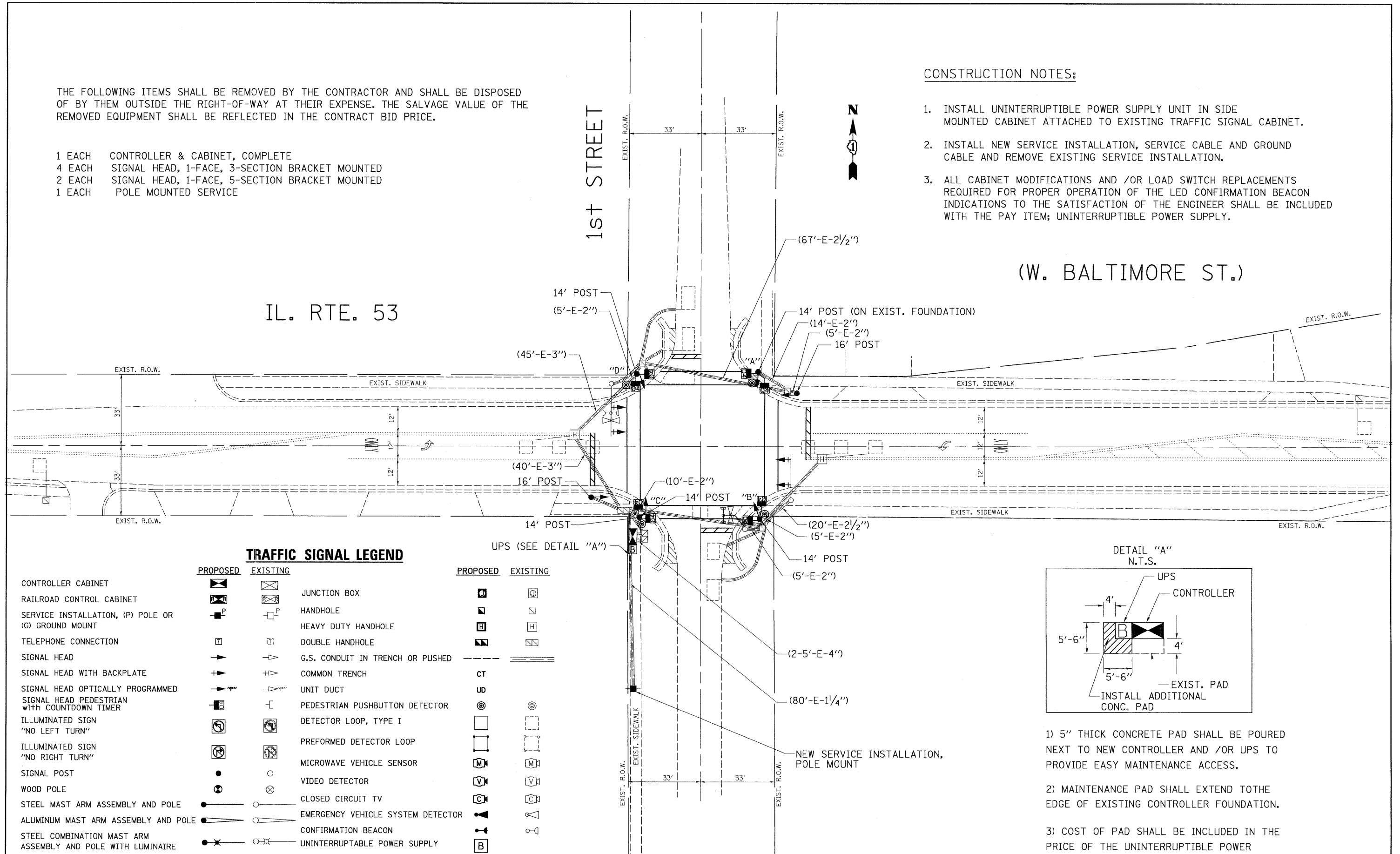
- 1 EACH CONTROLLER & CABINET, COMPLETE
- 4 EACH SIGNAL HEAD, 1-FACE, 3-SECTION BRACKET MOUNTED
- 2 EACH SIGNAL HEAD, 1-FACE, 5-SECTION BRACKET MOUNTED
- 1 EACH POLE MOUNTED SERVICE

CONSTRUCTION NOTES:

1. INSTALL UNINTERRUPTIBLE POWER SUPPLY UNIT IN SIDE MOUNTED CABINET ATTACHED TO EXISTING TRAFFIC SIGNAL CABINET.
2. INSTALL NEW SERVICE INSTALLATION, SERVICE CABLE AND GROUND CABLE AND REMOVE EXISTING SERVICE INSTALLATION.
3. ALL CABINET MODIFICATIONS AND /OR LOAD SWITCH REPLACEMENTS REQUIRED FOR PROPER OPERATION OF THE LED CONFIRMATION BEACON INDICATIONS TO THE SATISFACTION OF THE ENGINEER SHALL BE INCLUDED WITH THE PAY ITEM; UNINTERRUPTIBLE POWER SUPPLY.

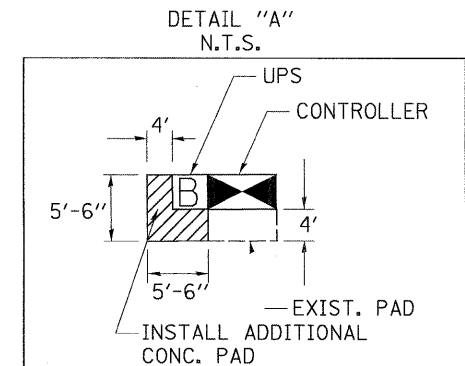
IL. RTE. 53

(W. BALTIMORE ST.)



TRAFFIC SIGNAL LEGEND

PROPOSED		EXISTING		PROPOSED		EXISTING	
CONTROLLER CABINET			JUNCTION BOX				
RAILROAD CONTROL CABINET			HANDHOLE				
SERVICE INSTALLATION, (P) POLE OR (G) GROUND MOUNT			HEAVY DUTY HANDHOLE				
TELEPHONE CONNECTION			DOUBLE HANDHOLE				
SIGNAL HEAD			G.S. CONDUIT IN TRENCH OR PUSHED				
SIGNAL HEAD WITH BACKPLATE			COMMON TRENCH	CT			
SIGNAL HEAD OPTICALLY PROGRAMMED			UNIT DUCT	UD			
SIGNAL HEAD PEDESTRIAN with COUNTDOWN TIMER			PEDESTRIAN PUSHBUTTON DETECTOR				
ILLUMINATED SIGN "NO LEFT TURN"			DETECTOR LOOP, TYPE I				
ILLUMINATED SIGN "NO RIGHT TURN"			PREFORMED DETECTOR LOOP				
SIGNAL POST			MICROWAVE VEHICLE SENSOR				
WOOD POLE			VIDEO DETECTOR				
STEEL MAST ARM ASSEMBLY AND POLE			CLOSED CIRCUIT TV				
ALUMINUM MAST ARM ASSEMBLY AND POLE			EMERGENCY VEHICLE SYSTEM DETECTOR				
STEEL COMBINATION MAST ARM ASSEMBLY AND POLE WITH LUMINAIRE			CONFIRMATION BEACON				
			UNINTERRUPTIBLE POWER SUPPLY				
			PEDESTRIAN SIGNAL HEAD WITH COUNTDOWN TIMER				



- 1) 5" THICK CONCRETE PAD SHALL BE POURED NEXT TO NEW CONTROLLER AND /OR UPS TO PROVIDE EASY MAINTENANCE ACCESS.
- 2) MAINTENANCE PAD SHALL EXTEND TO THE EDGE OF EXISTING CONTROLLER FOUNDATION.
- 3) COST OF PAD SHALL BE INCLUDED IN THE PRICE OF THE UNINTERRUPTIBLE POWER SUPPLY PAY ITEM.