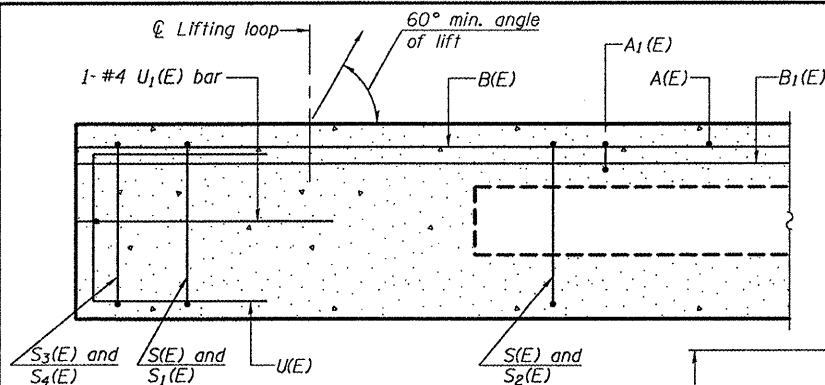
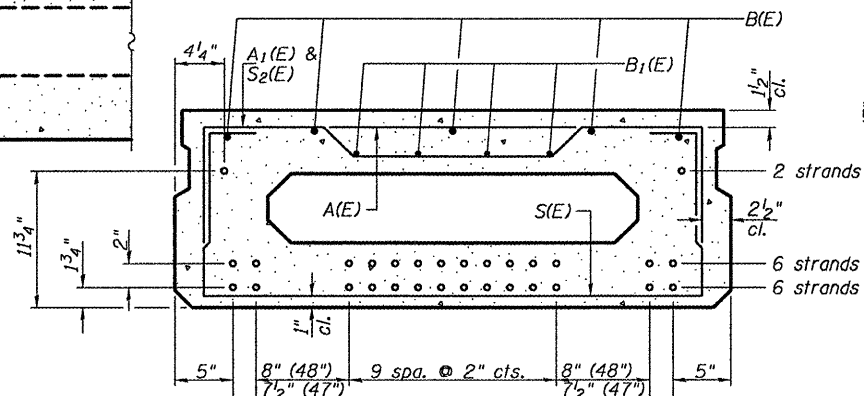


STATE OF ILLINOIS  
DEPARTMENT OF TRANSPORTATION

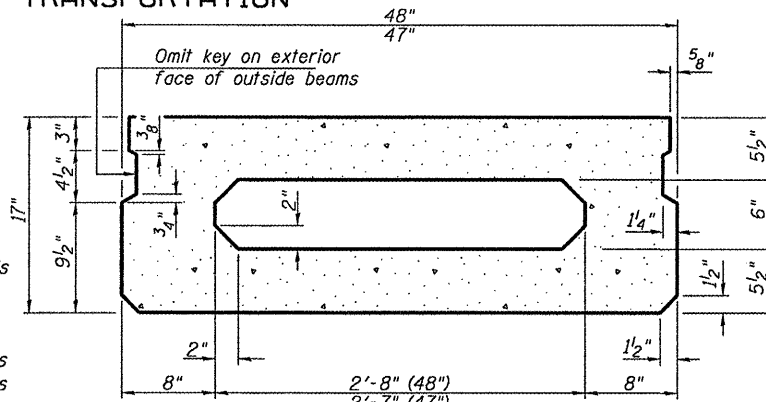
Note: Place the number of strands specified in each row symmetrically about the centerline of beam in the permissible strand locations shown.



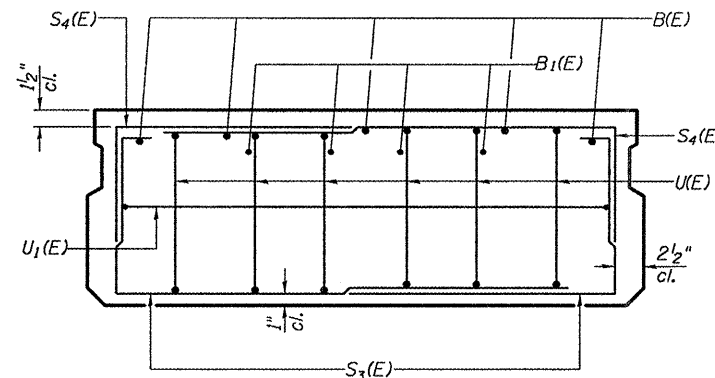
SECTION C-C



SECTION A-A  
(Showing reinforcement and permissible strand locations)



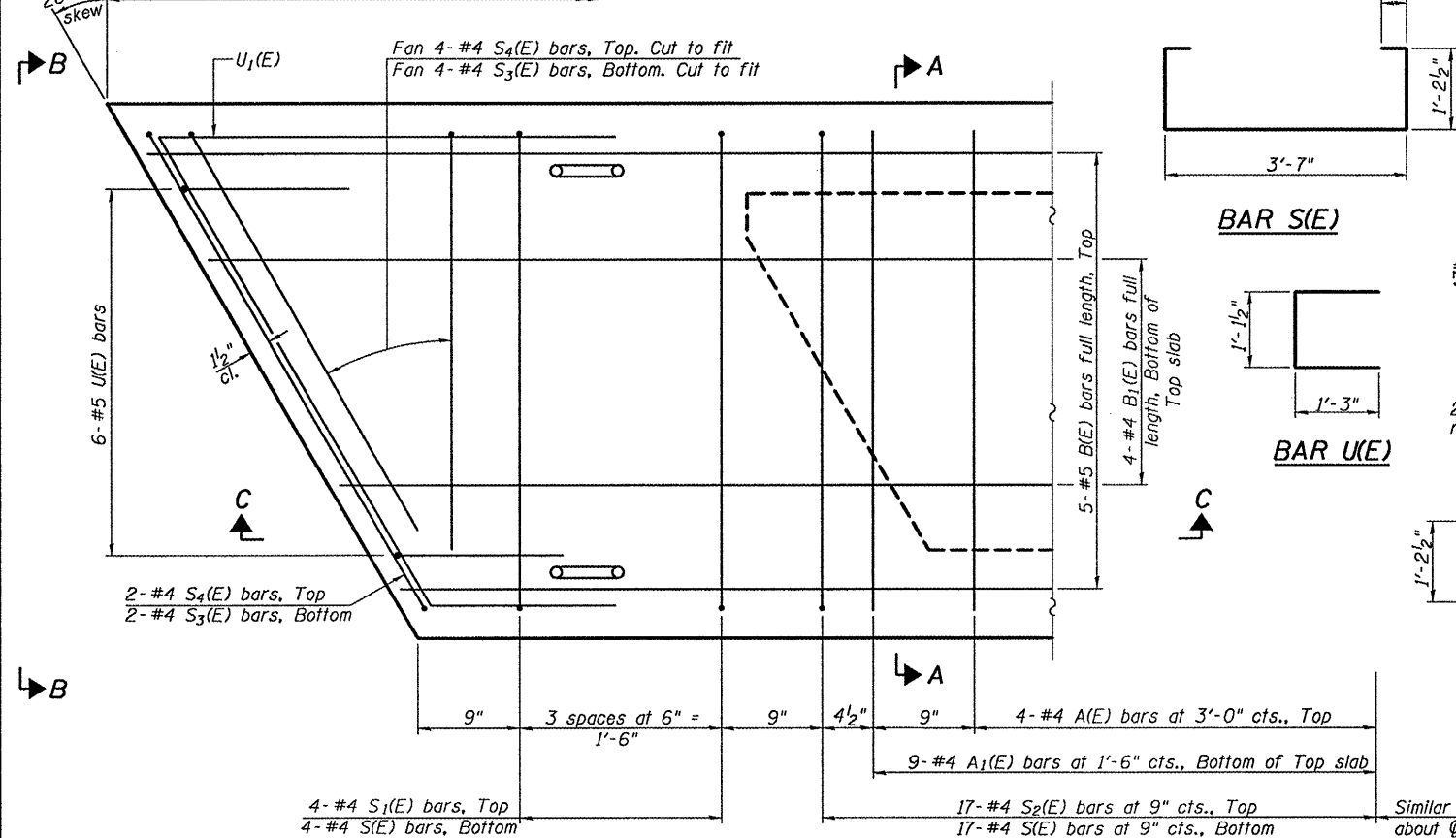
SECTION A-A  
(Showing dimensions)



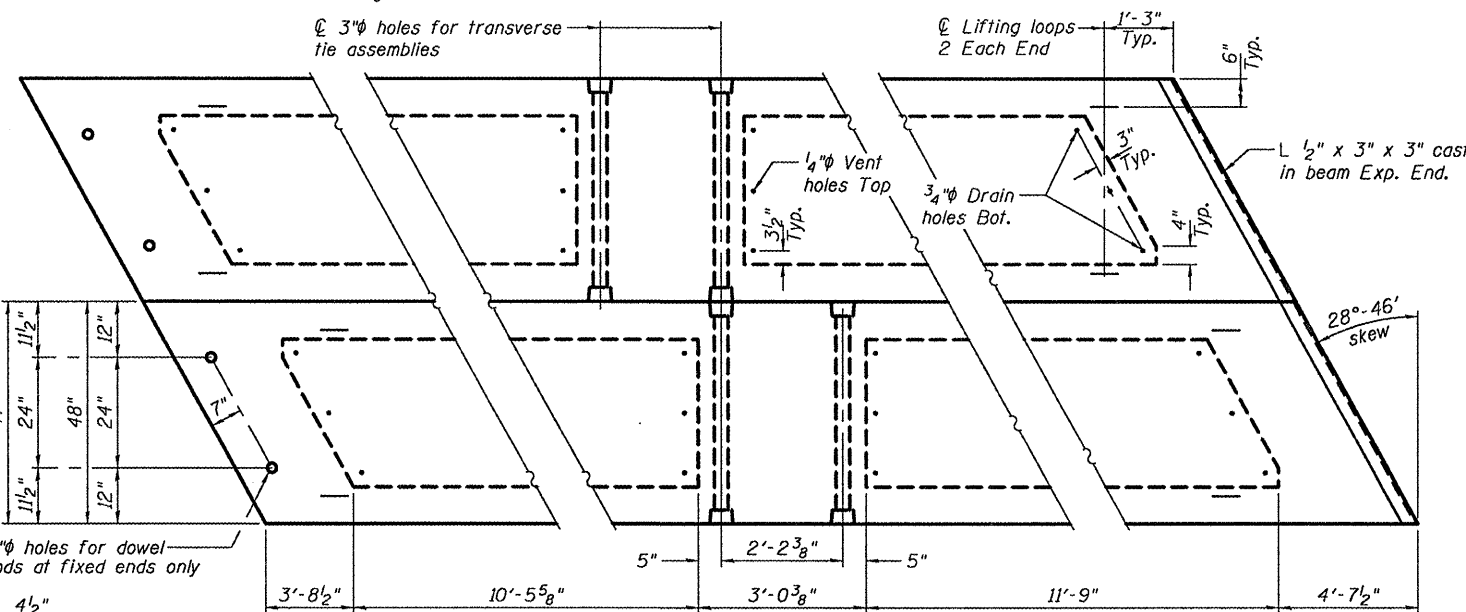
VIEW B-B

BAR S1(E)

28°-46' skew  
33'-7" End to end beam (Spans 1 and 3)



REINFORCEMENT PLAN VIEW



DIMENSION PLAN VIEW

BAR S(E)

BAR UE

BAR S3(E)

BAR A1(E)

BAR S4(E)

BAR U1(E)

BAR LIST  
ONE BEAM ONLY  
(For information only)

Bar	No.	Size	Length	Shape
A(E)	8	#4	3'-7"	—
A1(E)	18	#4	3'-10"	—
B(E)	5	#5	33'-4"	—
B1(E)	4	#4	33'-4"	—
S(E)	42	#4	6'-9"	U
S1(E)	8	#4	5'-3"	U
S2(E)	34	#4	5'-6"	U
S3(E)	12	#4	5'-1"	U
S4(E)	12	#4	4'-4"	U
UE	12	#5	3'-8"	U
U1(E)	2	#4	8'-5"	U

NOTES

Prestressing steel shall be uncoated high strength, low relaxation 7-wire strand, Grade 270. The nominal diameter shall be 1/2" and the nominal cross-sectional area shall be 0.153 sq. in. The 1" diameter rods in the transverse tie assembly shall be tightened to a snug fit and the threads set. Pockets on exterior faces of bridge shall be filled with grout after transverse tie assembly is in place. Reinforcement bars shall conform to ASTM A 706, Grade 60. (See Special Provisions). Two 1/2" fabric adjusting shims of the dimensions of the exterior bearing pad shall be provided for each bearing pad location. A minimum 2 1/2" diameter lifting pin shall be used to engage the lifting loops during handling. Corrosion Inhibitor, per Article 1020.05(b)(12) and 1021.06 of the Standard Specifications, shall be used in the concrete for precast prestressed concrete deck beams. Compressive strength of prestressed concrete, f'c, shall be 6000 psi. Compressive strength of prestressed concrete at release, f'cl, shall be 5000 psi.

BILL OF MATERIAL

Precast Prestressed Conc. Deck Bms. (17" depth)	Sq. Ft.	927
---	---------	-----

17"x48" BEAM DETAILS  
SPANS 1 AND 3  
SN 022-0054

SHEET NO. 3 5 SHEETS	F.A.P. RTE. 0365	SECTION 2004-037 I	COUNTY DuPage	TOTAL SHEETS 20	SHEET NO. 10
	FED. ROAD DIST. NO. ILLINOIS			CONTRACT NO. 60G58	

DESIGNED	A.T.H.
CHECKED	V.H.V.
DRAWN	Drew Christopher
CHECKED	A.T.H. V.H.V.

EXAMINED	April 28, 2009
PASSED	Ralph E. Anderson ENGINEER OF BRIDGES AND STRUCTURES