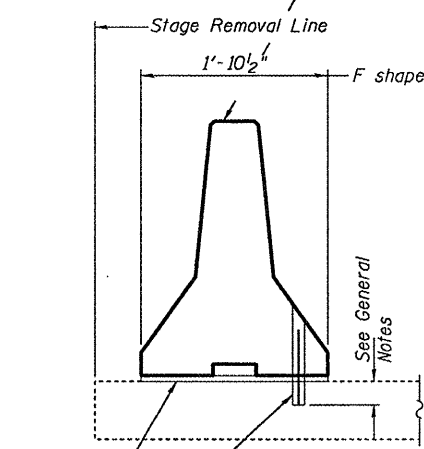
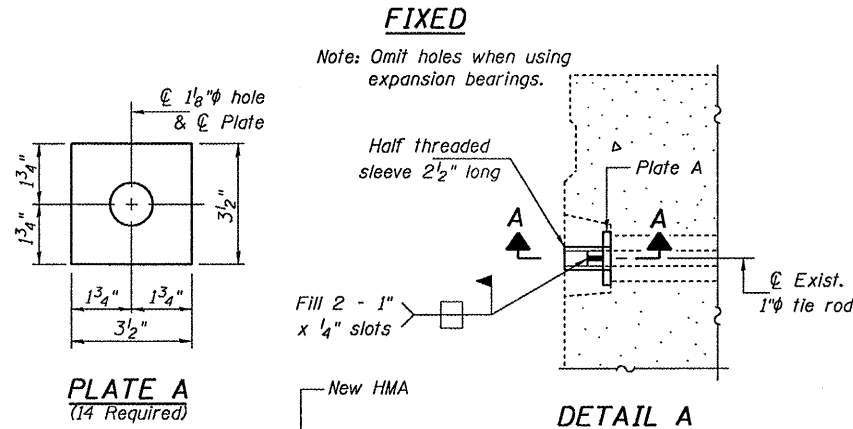
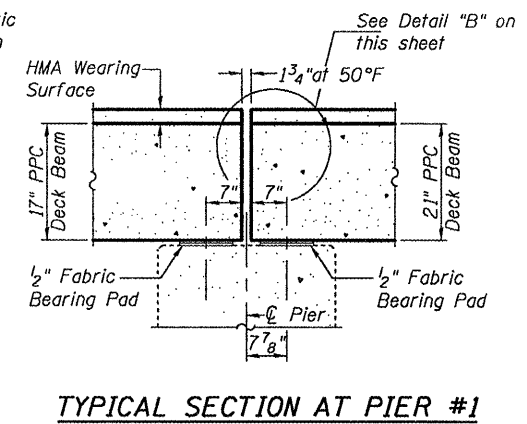
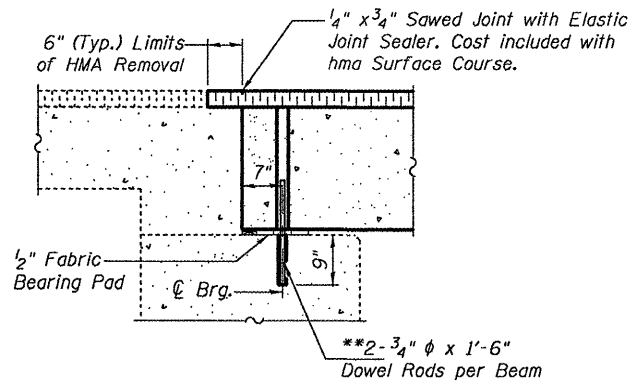
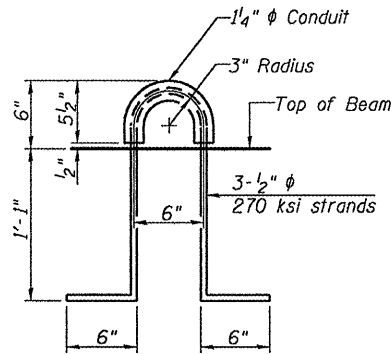
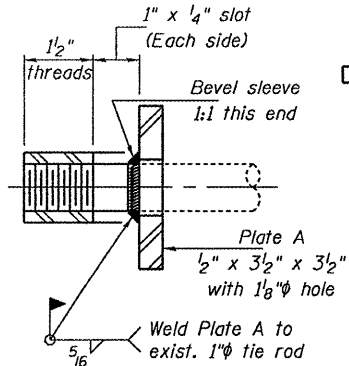
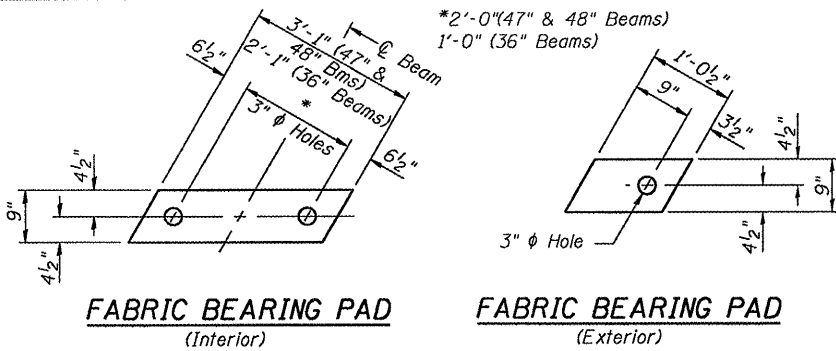
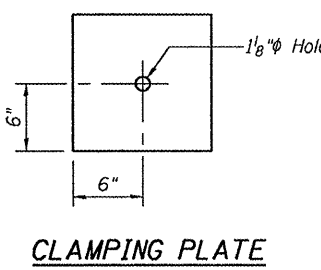
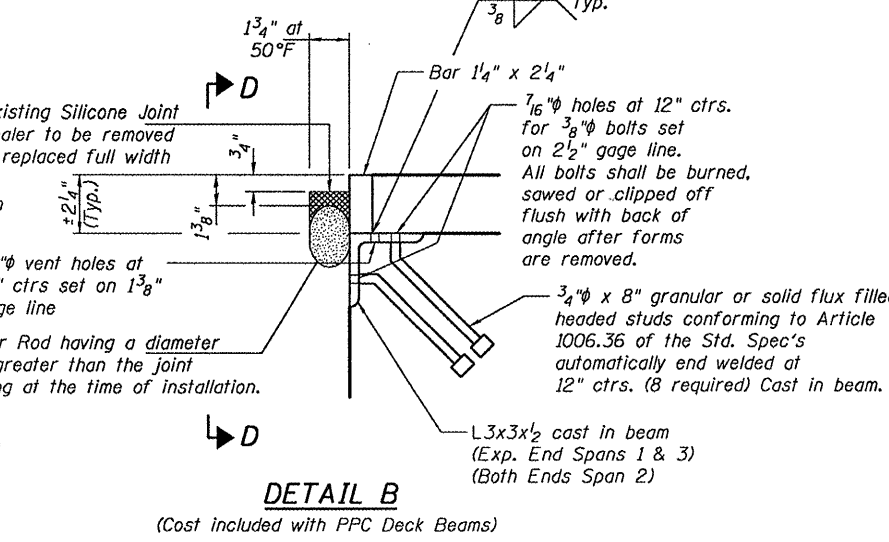
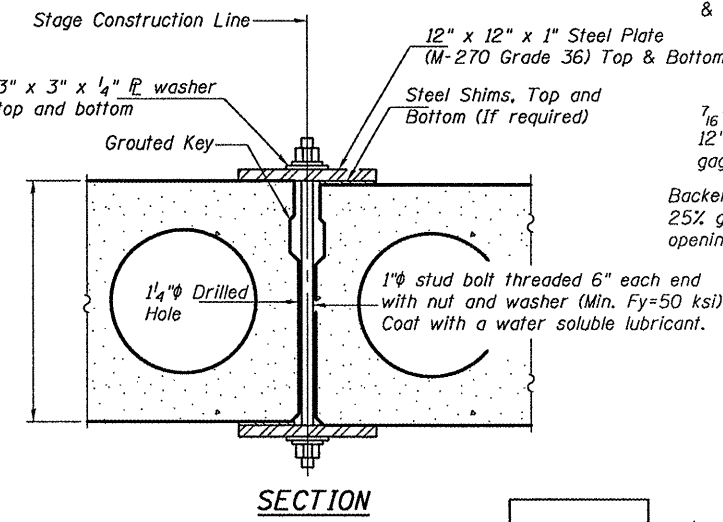
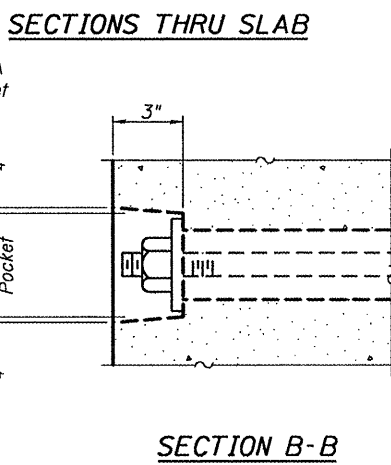
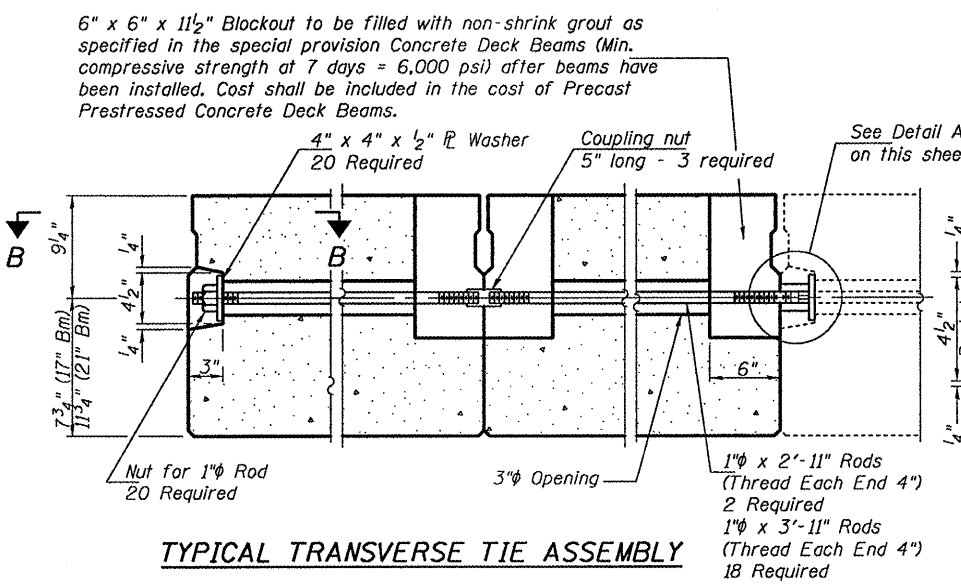
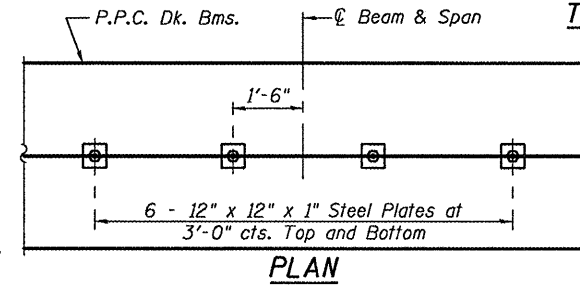
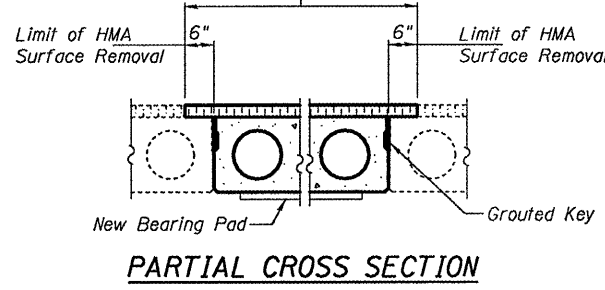
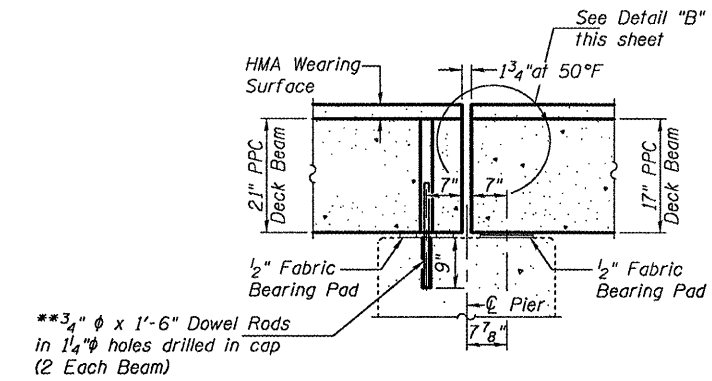
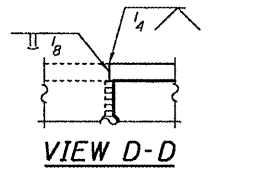


STATE OF ILLINOIS
DEPARTMENT OF TRANSPORTATION



LIFTING LOOP DETAIL

** Dowel Rods to be grouted after beams are in place and allowed to cure (Min. 24 hrs.) prior to grouting the shear keys.



DESIGNED A.T.H.	April 28, 2009
CHECKED V.H.V.	EXAMINED <i>Carl P. ...</i>
DRAWN Drew Christopher	PASSED <i>Ralph E. Anderson</i>
CHECKED A.T.H. V.H.V.	

Notes:
 See Special Provisions for Stage Construction Precast Prestressed Concrete Deck Beams.
 See Stage Construction Detail for traffic lane.
 Cost is included with Precast Prestressed Concrete Deck Beams.

**DETAILS
 SN 022-0054**

SHEET NO. 5 5 SHEETS	F.A.P. RTE. 0365	SECTION 2004-037 I	COUNTY DuPage	TOTAL SHEETS 20	SHEET NO. 12
	FED. ROAD DIST. NO. ILLINOIS FED. AID PROJECT			CONTRACT NO. 60G58	