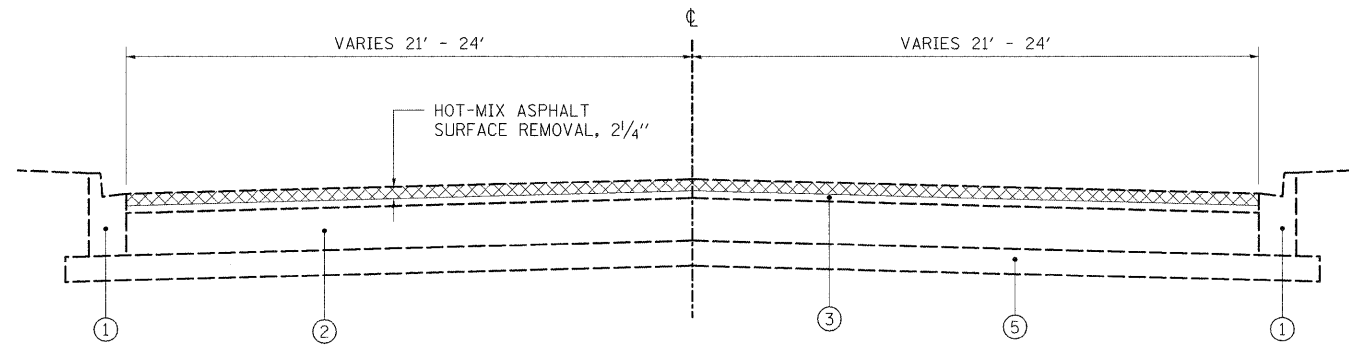


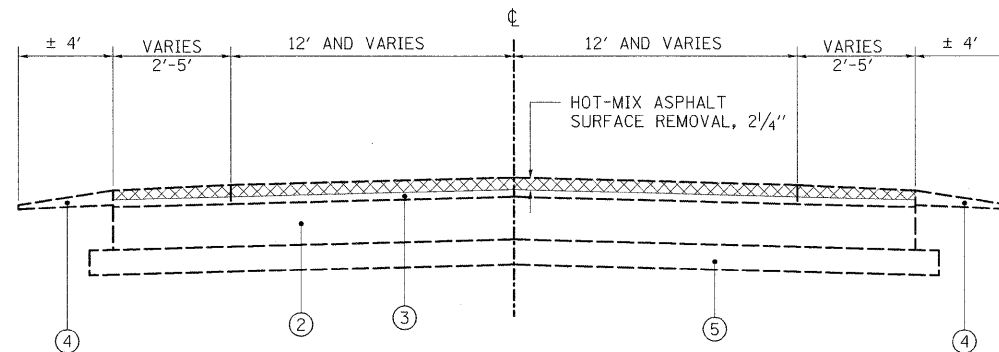
EXISTING TYPICAL SECTION LAKE COOK ROAD

STA. 21+00 TO STA. 36+50
 • B-6.12 CURB AND GUTTER STA. 30+00 TO STA. 36+50



EXISTING TYPICAL SECTION LAKE COOK ROAD

STA. 36+50 TO STA. 82+95



EXISTING TYPICAL SECTION LAKE COOK ROAD

STA. 90+38 TO STA. 257+30

LEGEND

- ① EXISTING COMBINATION CURB AND GUTTER, TYPE B-6.12
- ② EXISTING PCC PAVEMENT, ±10"
- ③ EXISTING HOT-MIX ASPHALT PAVEMENT, ±4" (BEFORE SURFACE REMOVAL)
- ④ EXISTING AGGREGATE SHOULDER
- ⑤ EXISTING AGGREGATE BASE COURSE
- ⑥ PROPOSED POLYMERIZED LEVELING BINDER (MACHINE METHOD), IL-4.75, N50, 3/4"
- ⑦ PROPOSED HOT-MIX ASPHALT SURFACE COURSE, MIX "D", N70, 1 1/2"
- ⑧ PROPOSED GRADING & SHAPING SHOULDERS

PLOT DATE = 5/5/2009
 FILE NAME = K:\11225514\Lake-Cook Road\Road\Sheets\LakeCook Typical Sections.dgn
 PLOT SCALE = 1/4" = 1'-0"
 MODEL NAME = Existing Typical Section



200 West Front Street
 Wheaton, IL 60187

DESIGNED - MAK	REVISED -
DRAWN - JMT	REVISED -
CHECKED - BLB	REVISED -
DATE - 5/5/2009 4:17:05 PM	REVISED -

**STATE OF ILLINOIS
 DEPARTMENT OF TRANSPORTATION**

LAKE COOK ROAD

**EXISTING TYPICAL
 SECTIONS**

SCALE: SHEET NO. 4 OF 30 SHEETS STA. TO STA.

F.A.P. RTE.	SECTION	COUNTY	TOTAL SHEETS	SHEET NO.
1270	0506 RS-12	LAKE	30	4
CONTRACT NO.60H02				
FED. ROAD DIST. NO. 1 ILLINOIS FED. AID PROJECT				