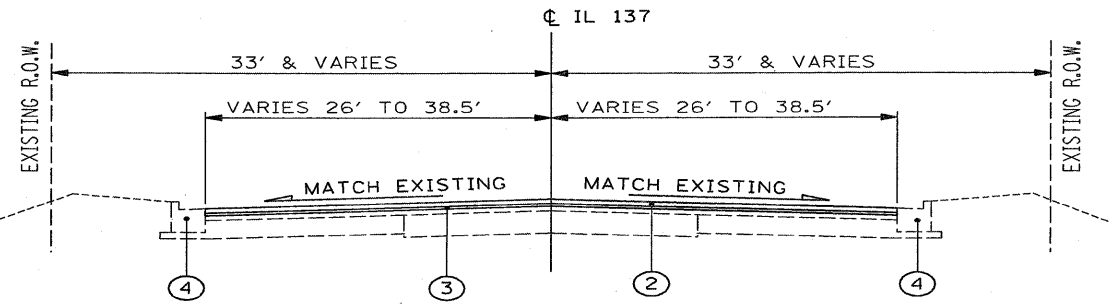


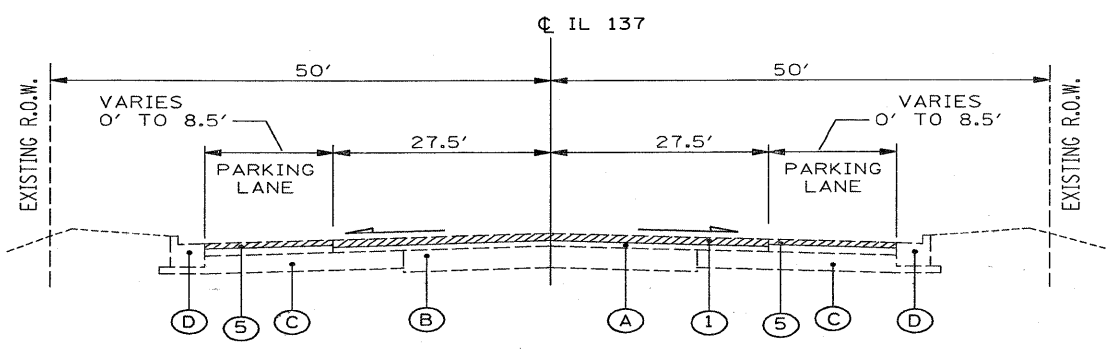
SHERIDAN ROAD EXISTING CROSS SECTION

STA. 155+72± TO STA. 322+50±
STA. 341+50± TO STA. 500+00



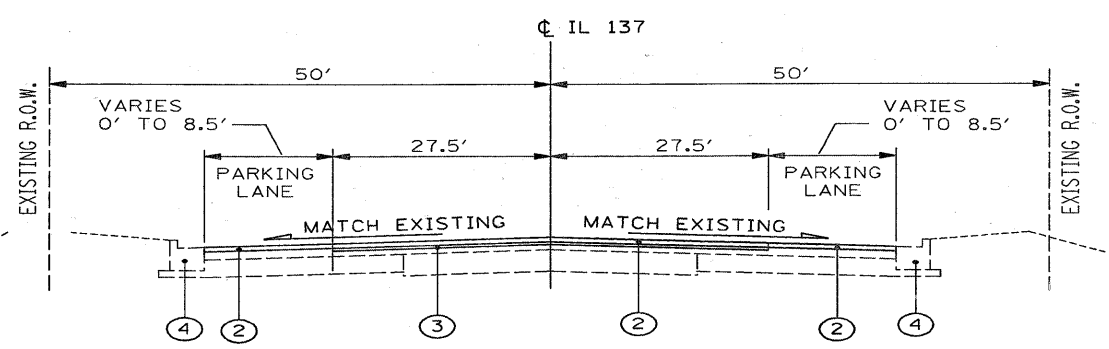
SHERIDAN ROAD PROPOSED CROSS SECTION

STA. 155+72± TO STA. 322+50±
STA. 341+50± TO STA. 500+00



SHERIDAN ROAD EXISTING CROSS SECTION

STA. 322+50± TO STA. 341+50±



SHERIDAN ROAD PROPOSED CROSS SECTION

STA. 322+50± TO STA. 341+50±

LEGEND

EXISTING CONDITIONS:

- (A) HOT-MIX ASPHALT SURFACE AND BINDER COURSE, (4" & VARIES)
- (B) EXISTING PCC PAVEMENT, 12"
- (C) HOT-MIX ASPHALT BASE COURSE, 12"
- (D) COMBINATION CONCRETE CURB AND GUTTER
- (E) CONCRETE MEDIAN

PROPOSED IMPROVEMENTS:

- (1) HOT-MIX ASPHALT SURFACE REMOVAL, 2 1/4"
- (2) HOT-MIX ASPHALT SURFACE COURSE, MIX "D", N70, 1 1/2"
- (3) POLYMERIZED LEVELING BINDER (MACHINE METHOD), IL - 4.75, N50, 3/4"
- (4) COMBINATION CONCRETE CURB AND REMOVAL AND REPLACEMENT (AS DETERMINED BY THE ENGINEER)
- (5) HOT-MIX ASPHALT SURFACE REMOVAL, 1 1/2 "

HOT-MIX ASPHALT MIXTURE REQUIREMENTS		
MIXTURE TYPE	AC/PG	DESIGN AIR VOIDS
HMA SURFACE COURSE, MIX D, N70, (IL-9.5 mm)	PG 64-22	4% @ 70 GYR
POLYMERIZED LEVELING BINDER (MACHINE METHOD), IL-4.75, N50	SBS/SBR PG 76-28/-22	4% @ 50 GYR
CLASS D PATCHES (HMA BINDER IL 19 mm)	PG 64-22*	4% @ 70 GYR
HMA REPLACEMENT OVER PATCHES (HMA BINDER, IL 19 mm)	PG 64-22*	4% @ 70 GYR

NOTES

THE UNIT WEIGHT USED TO CALCULATE ALL HMA SURFACE COURSE MIXTURES IS 112 LBS/SQYD/IN.
*WHEN RAP EXCEEDS 20%, THE NEW ASPHALT BINDER IN THE MIX SHALL BE PG 58-22

NOTES

THE CONTRACTOR SHALL PATCH FIRST BEFORE MILLING

REV. 5-20-09

FILE NAME =	USER NAME = estmablek	DESIGNED -	REVISED -	STATE OF ILLINOIS DEPARTMENT OF TRANSPORTATION	IL RTE. 137 (BLANCHARD ROAD TO RUSSELL ROAD) TYPICAL SECTIONS	F.A.P. RTE.	SECTION	COUNTY	TOTAL SHEETS	SHEET NO.	
ct:\ps_work\p\1000\ESTMABLEK\d8138202\37202-sht-plan.dgn	3/20/02-sht-plan.dgn	DRAWN -	REVISED -			352	(E.M.D) RS-4	LAKE	41	4	
PLOT SCALE = 50.0001' / IN.		CHECKED -	REVISED -			SCALE:		SHEET NO. OF SHEETS		STA. TO STA.	FED. ROAD DIST. NO. 1 ILLINOIS FED. AID PROJECT
PLOT DATE = 5/20/2009		DATE -	REVISED -								CONTRACT NO. 62545