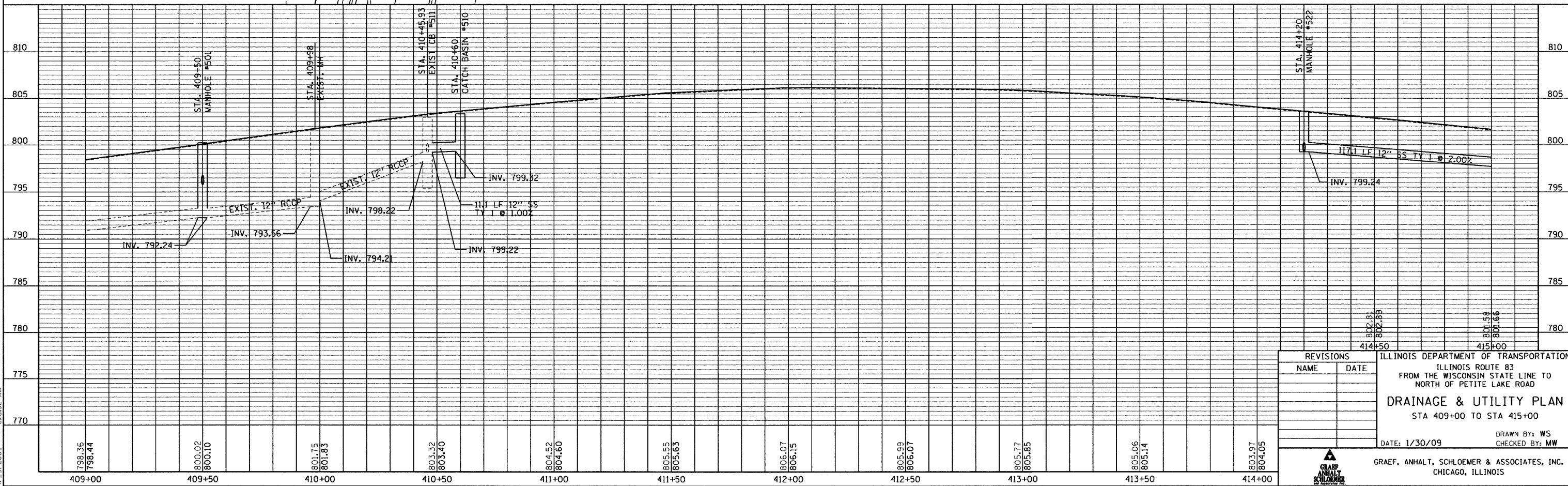
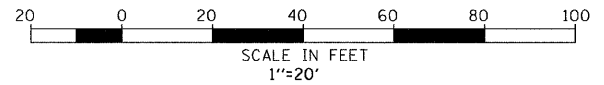
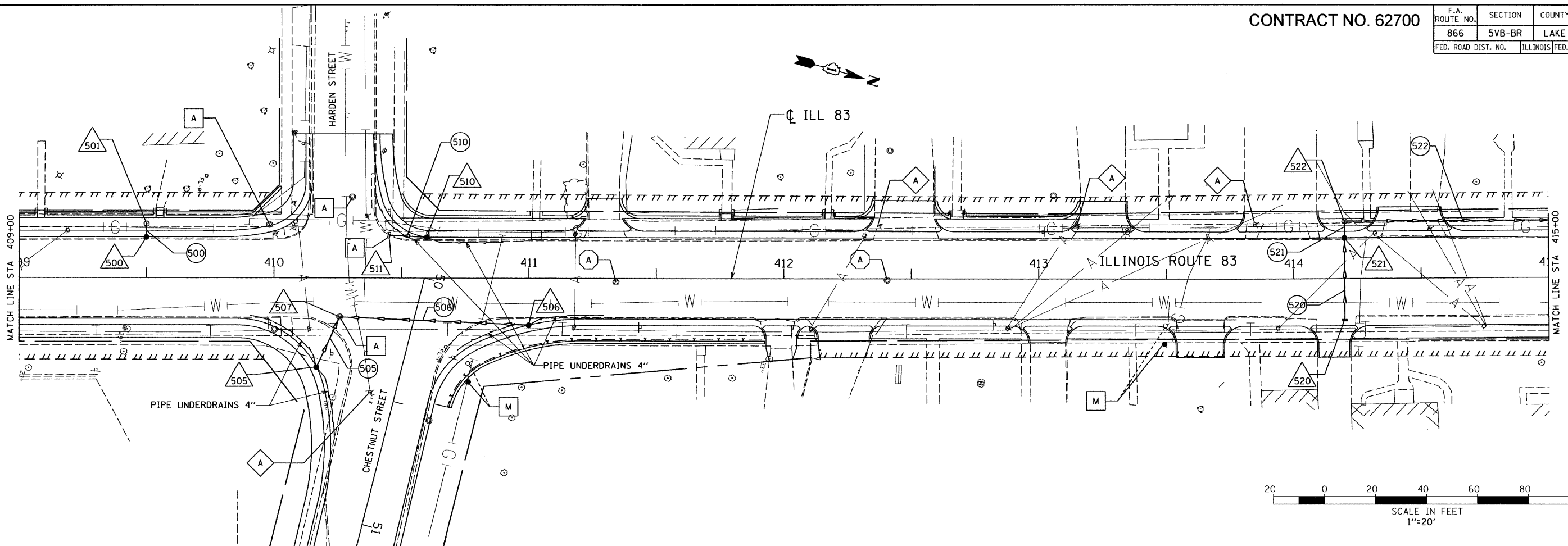


CONTRACT NO. 62700

F.A. ROUTE NO.	SECTION	COUNTY	TOTAL SHEETS	SHEET NO.
866	5VB-BR	LAKE	554	150
FED. ROAD DIST. NO.	ILLINOIS	FED. AID PROJECT		



REVISIONS	
NAME	DATE

ILLINOIS DEPARTMENT OF TRANSPORTATION
ILLINOIS ROUTE 83
FROM THE WISCONSIN STATE LINE TO
NORTH OF PETITE LAKE ROAD

DRAINAGE & UTILITY PLAN
STA 409+00 TO STA 415+00

DATE: 1/30/09
DRAWN BY: WS
CHECKED BY: MW

GRAEF, ANHALT, SCHLOEMER & ASSOCIATES, INC.
CHICAGO, ILLINOIS

G:\2000\4024_N\ms\p\c\se\1\20cup\plan06.dgn 4/25/2009 8:16:32 AM