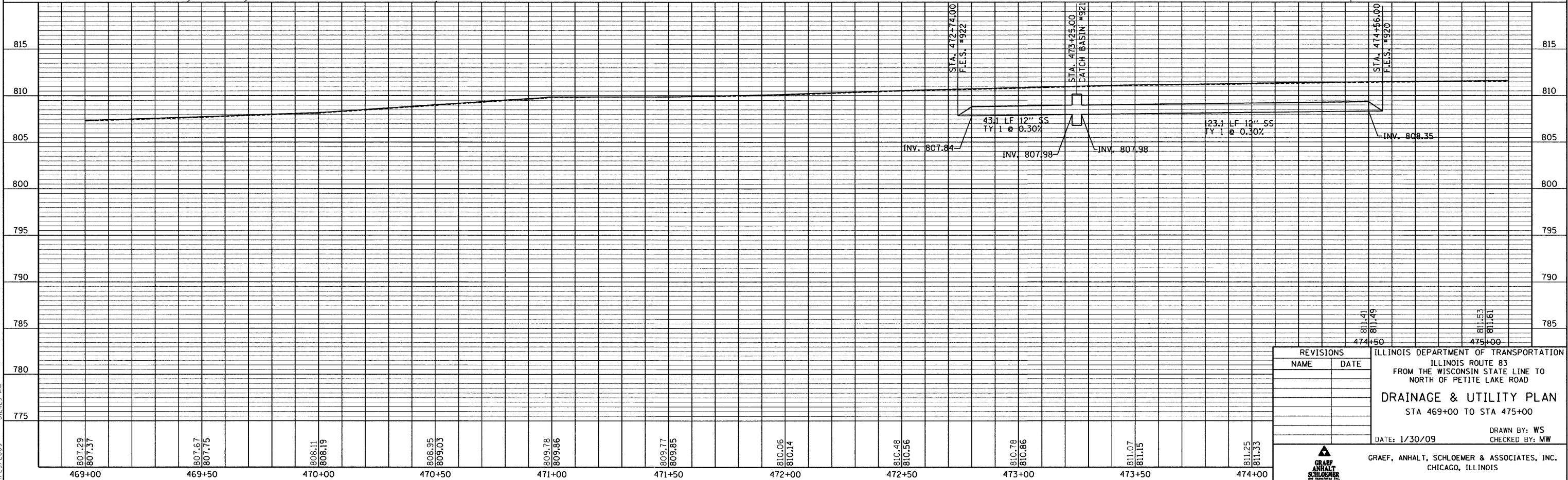
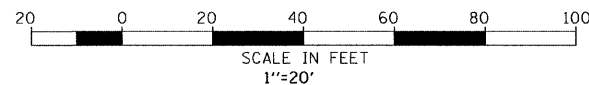
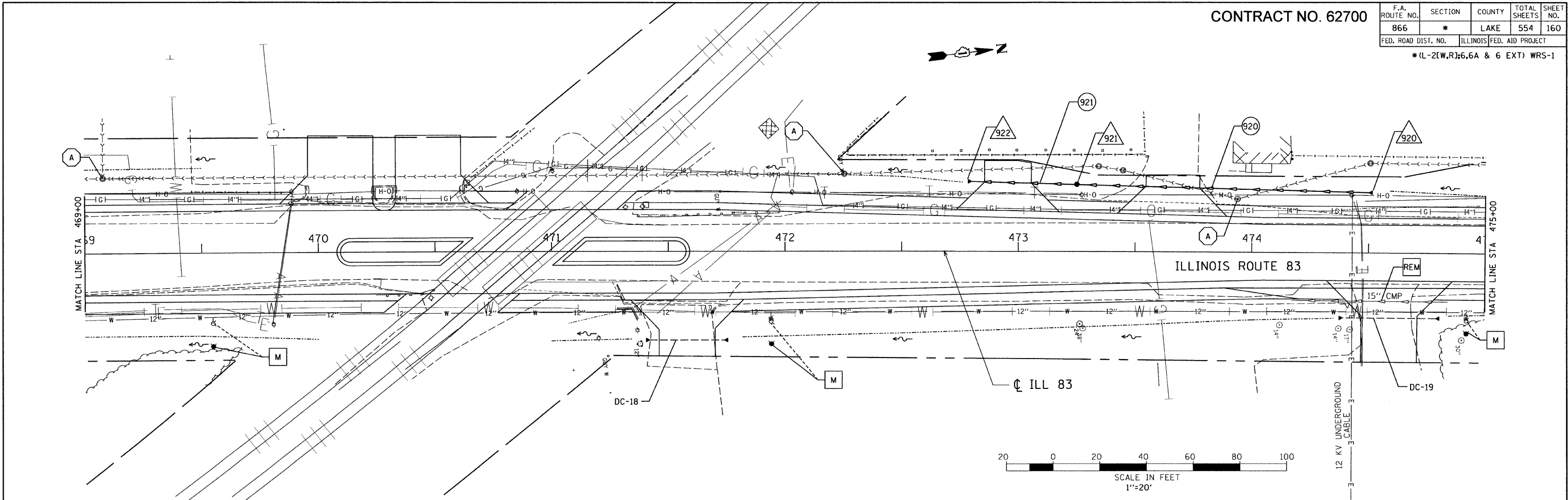


CONTRACT NO. 62700

|                     |          |                  |              |           |
|---------------------|----------|------------------|--------------|-----------|
| F.A. ROUTE NO.      | SECTION  | COUNTY           | TOTAL SHEETS | SHEET NO. |
| 866                 | *        | LAKE             | 554          | 160       |
| FED. ROAD DIST. NO. | ILLINOIS | FED. AID PROJECT |              |           |

\*(L-2(W,R);6,6A & 6 EXT) WRS-1



| REVISIONS |      |
|-----------|------|
| NAME      | DATE |
|           |      |
|           |      |
|           |      |

ILLINOIS DEPARTMENT OF TRANSPORTATION  
 ILLINOIS ROUTE 83  
 FROM THE WISCONSIN STATE LINE TO  
 NORTH OF PETITE LAKE ROAD  
**DRAINAGE & UTILITY PLAN**  
 STA 469+00 TO STA 475+00  
 DATE: 1/30/09  
 DRAWN BY: WS  
 CHECKED BY: MW  
 GRAEF, ANHALT, SCHLOEMER & ASSOCIATES, INC.  
 CHICAGO, ILLINOIS

G:\20004024.M\ms\plan\set\20duplan6.cgn  
 4/29/2009 8:21:23 AM