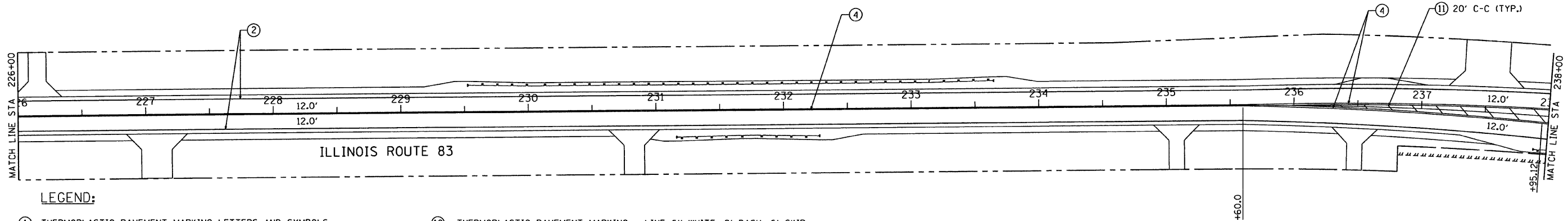
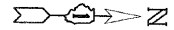


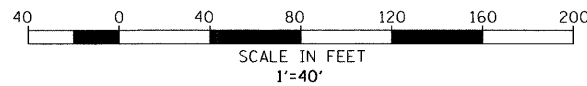
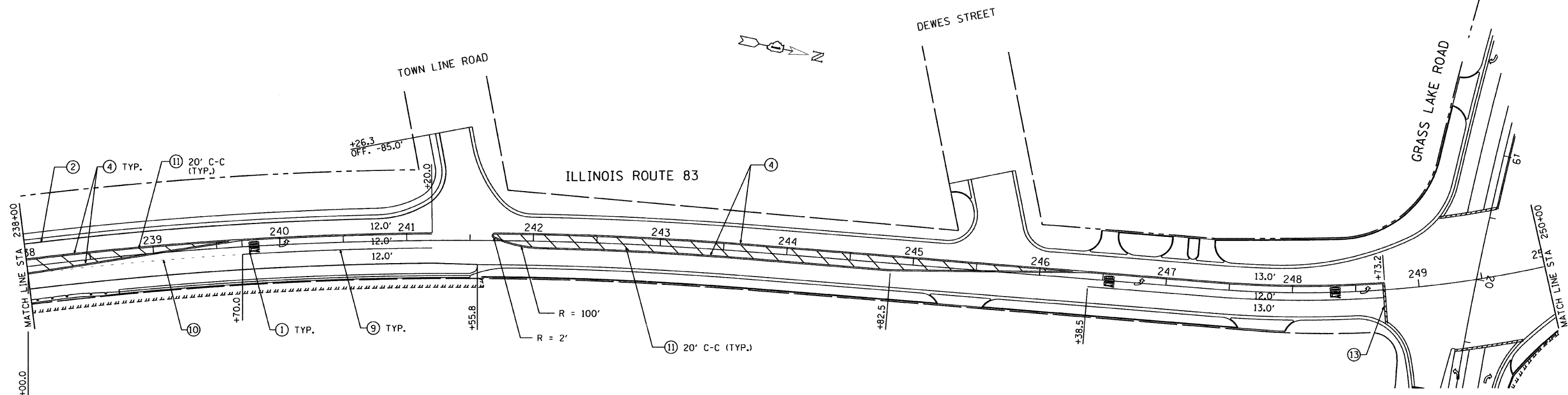
F.A. ROUTE NO.	SECTION	COUNTY	TOTAL SHEETS	SHEET NO.
866	*	LAKE	554	255
FED. ROAD DIST. NO.	ILLINOIS	FED. AID PROJECT		

\*(L-2[W,R];6,6A & 6 EXT) WRS-1



LEGEND:

- |   |  |
|---|--|
| ① THERMOPLASTIC PAVEMENT MARKING LETTERS AND SYMBOLS                  | ⑩ THERMOPLASTIC PAVEMENT MARKING - LINE 6" WHITE, 2' DASH, 6' SKIP |
| ② THERMOPLASTIC PAVEMENT MARKING - LINE 4" WHITE                      | ⑪ THERMOPLASTIC PAVEMENT MARKING - LINE 12" YELLOW                 |
| ③ THERMOPLASTIC PAVEMENT MARKING - LINE 4" YELLOW                     | ⑫ THERMOPLASTIC PAVEMENT MARKING - LINE 12" WHITE                  |
| ④ THERMOPLASTIC PAVEMENT MARKING - LINE 4" YELLOW, 2 AT 11" C-C       | ⑬ THERMOPLASTIC PAVEMENT MARKING - LINE 24" WHITE                  |
| ⑤ THERMOPLASTIC PAVEMENT MARKING - LINE 4" WHITE, 10' DASH, 30' SKIP  |  |
| ⑥ THERMOPLASTIC PAVEMENT MARKING - LINE 8" WHITE                      |  |
| ⑦ THERMOPLASTIC PAVEMENT MARKING - LINE 4" YELLOW, 10' DASH, 30' SKIP |  |
| ⑧ THERMOPLASTIC PAVEMENT MARKING - LINE 5" WHITE                      |  |
| ⑨ THERMOPLASTIC PAVEMENT MARKING - LINE 6" WHITE                      |  |



REVISIONS		ILLINOIS DEPARTMENT OF TRANSPORTATION ILLINOIS ROUTE 83 FROM THE WISCONSIN STATE LINE TO NORTH OF PETITE LAKE ROAD PAVEMENT MARKING  STA 226+00 TO STA 250+00 DRAWN BY: GP CHECKED BY: MW DATE: 1/30/09  GRAEF, ANHALT, SCHLOEMER & ASSOCIATES, INC. CHICAGO, ILLINOIS
NAME	DATE	