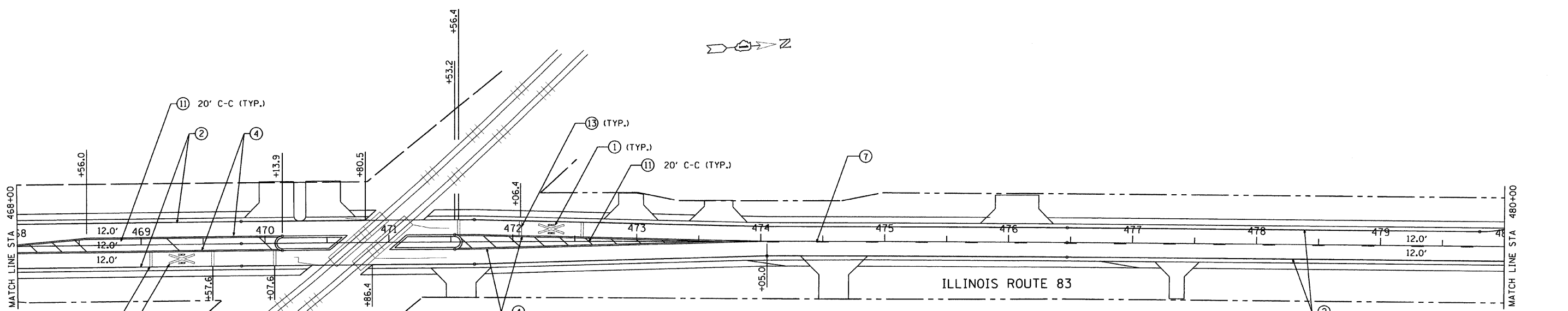
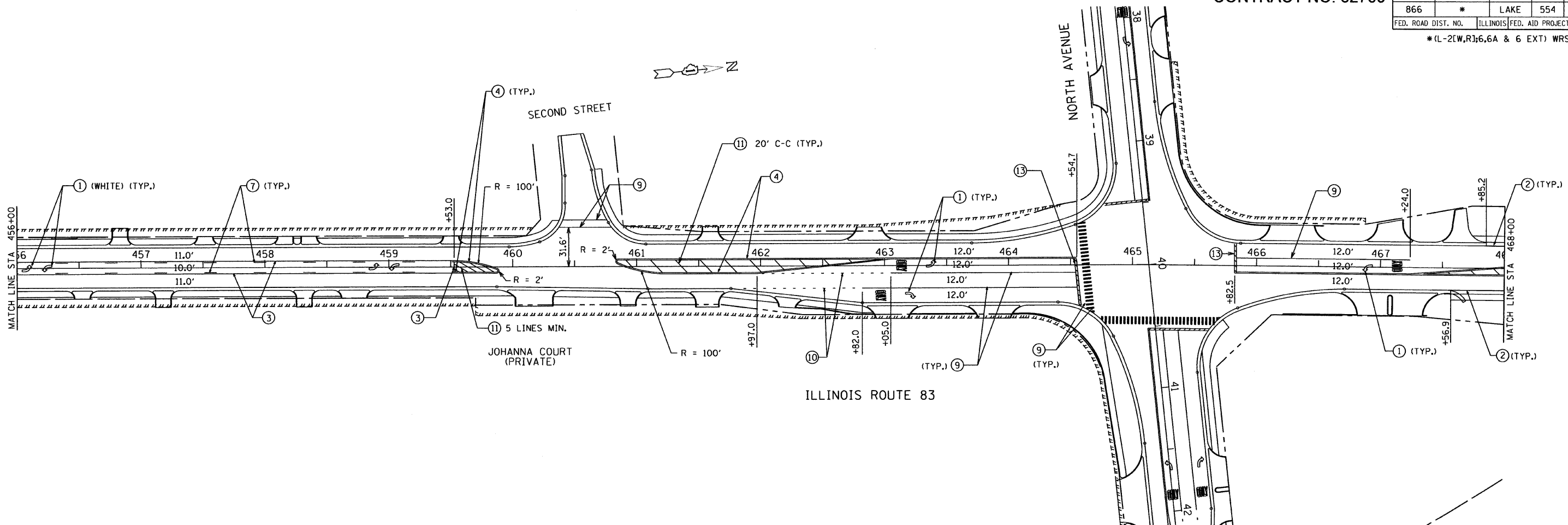
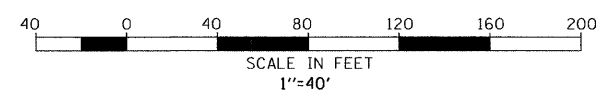


F.A. ROUTE NO.	SECTION	COUNTY	TOTAL SHEETS	SHEET NO.
866	*	LAKE	554	262
FED. ROAD DIST. NO.		ILLINOIS FED. AID PROJECT		
*(L-2[W,R];6,6A & 6 EXT) WRS-1				



LEGEND:

- ① THERMOPLASTIC PAVEMENT MARKING LETTERS AND SYMBOLS
- ② THERMOPLASTIC PAVEMENT MARKING - LINE 4" WHITE
- ③ THERMOPLASTIC PAVEMENT MARKING - LINE 4" YELLOW
- ④ THERMOPLASTIC PAVEMENT MARKING - LINE 4" YELLOW, 2 AT 11" C-C
- ⑤ THERMOPLASTIC PAVEMENT MARKING - LINE 4" WHITE, 10' DASH, 30' SKIP
- ⑥ THERMOPLASTIC PAVEMENT MARKING - LINE 8" WHITE
- ⑦ THERMOPLASTIC PAVEMENT MARKING - LINE 4" YELLOW, 10' DASH, 30' SKIP
- ⑧ THERMOPLASTIC PAVEMENT MARKING - LINE 5" WHITE
- ⑨ THERMOPLASTIC PAVEMENT MARKING - LINE 6" WHITE
- ⑩ THERMOPLASTIC PAVEMENT MARKING - LINE 6" WHITE, 2' DASH, 6' SKIP
- ⑪ THERMOPLASTIC PAVEMENT MARKING - LINE 12" YELLOW
- ⑫ THERMOPLASTIC PAVEMENT MARKING - LINE 12" WHITE
- ⑬ THERMOPLASTIC PAVEMENT MARKING - LINE 24" WHITE



REVISIONS		ILLINOIS DEPARTMENT OF TRANSPORTATION ILLINOIS ROUTE 83 FROM THE WISCONSIN STATE LINE TO NORTH OF PETITE LAKE ROAD PAVEMENT MARKING
NAME	DATE	
		STA 456+00 TO STA 480+00 DRAWN BY: GP CHECKED BY: MW DATE: 1/30/09

GRAEF, ANHALT, SCHLOEMER & ASSOCIATES, INC.
 CHICAGO, ILLINOIS

G:\2000\024_N.ms\plan\set\pavmark\l1.dgn
 1/26/2009 1:40:28 PM